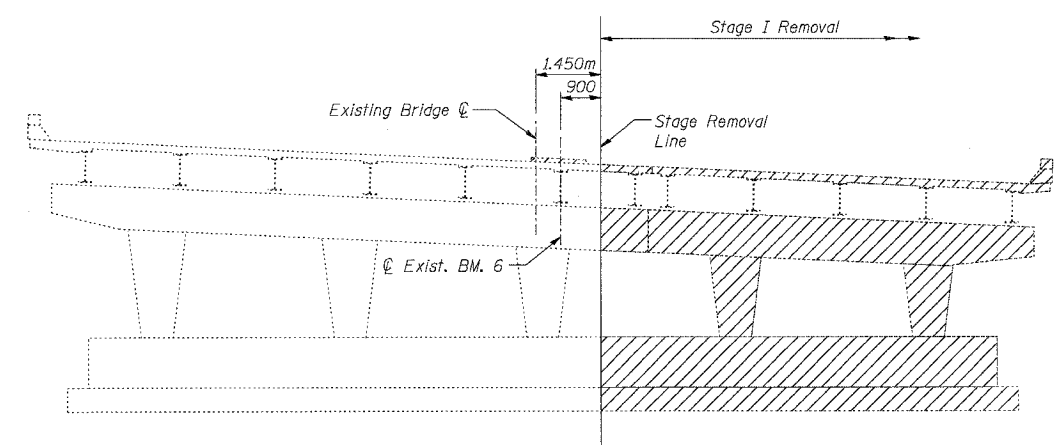
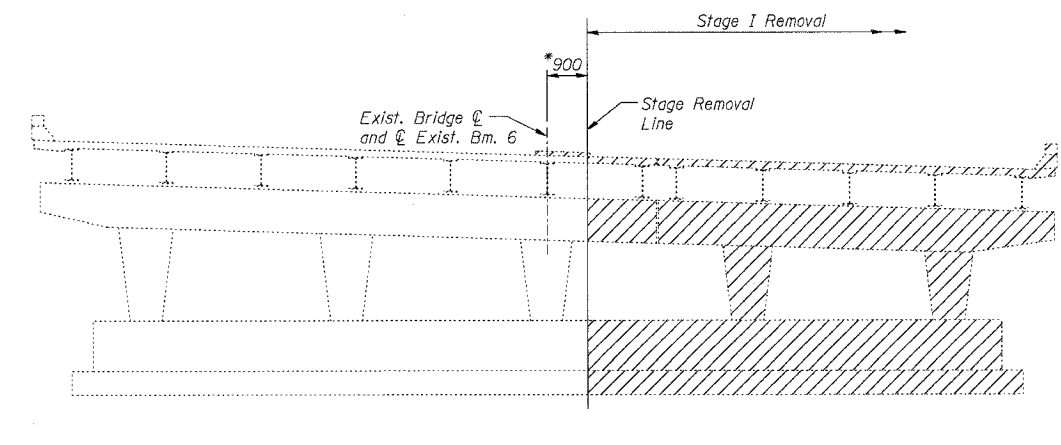


F.A.P. RTE.	SECTION	COUNTY	TOTAL SHEETS	SHEET NO.
343	70HB-R-1	COOK	283	190
STA.	TO STA.			
FED. ROAD DIST. NO.	ILLINOIS FED. AID PROJECT			
CONTRACT NO. 62897				

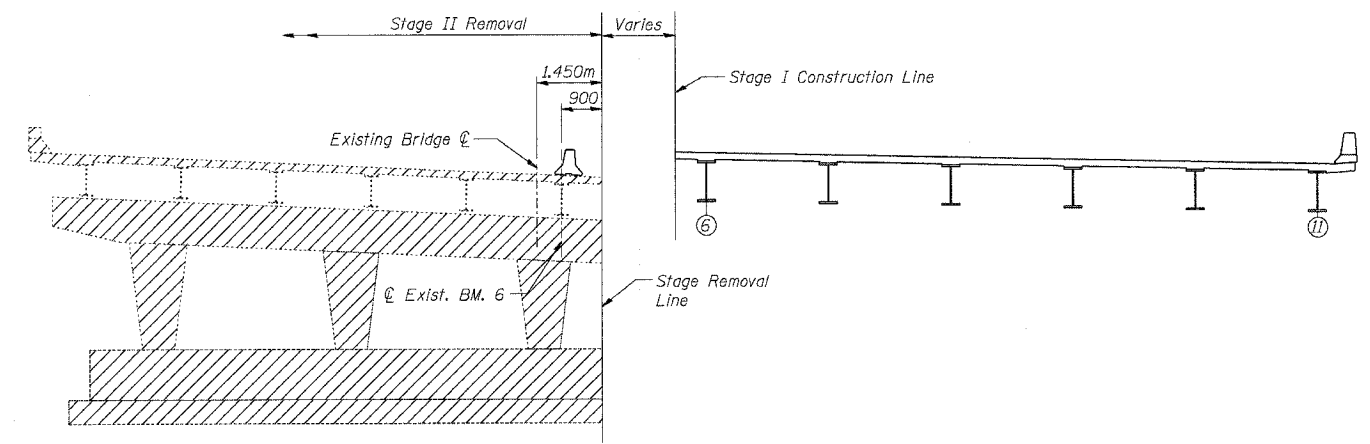


EXISTING PIER 1 REMOVAL-STAGE I
(Looking East)

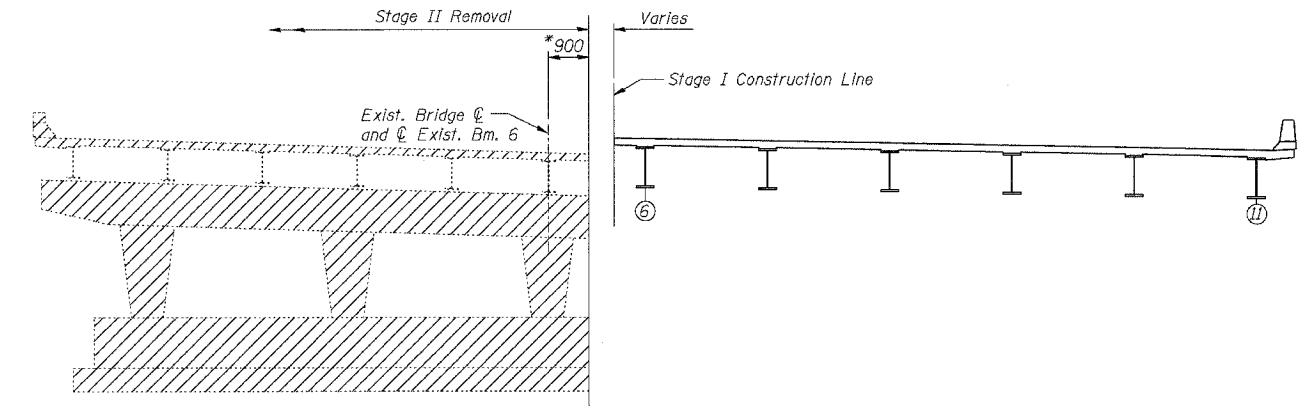


EXISTING PIER 2 REMOVAL-STAGE I
(Looking East)

* Vary as needed for deck removal at east abutment



EXISTING PIER 1 REMOVAL-STAGE II
(Looking East)



EXISTING PIER 2 REMOVAL-STAGE II
(Looking East)

NOTES:

1. Contractor to verify all dimensions in field prior to construction.
2. Removal of Existing Abutments similar.

SHT. S-05 OF S-27

REVISIONS	
NAME	DATE

ILLINOIS DEPARTMENT OF TRANSPORTATION
IL ROUTE 68 OVER US ROUTE 14
F.A.P. ROUTE 343 SECTION 70HB-R-1
COOK COUNTY STATION 10+001.778
STRUCTURE NO. 016-2861

EXISTING STRUCTURE REMOVAL

DESIGNED: BTO DRAWN: BTO
DATE: 10/06 CHECKED: JAN CHECKED: JAN

STV Incorporated
Engineers/Architects/Planners/Construction Managers
200 W. Monroe Street, Suite 1650
Chicago, IL 60606-5913
312-553-0655, FAX 312-553-0661