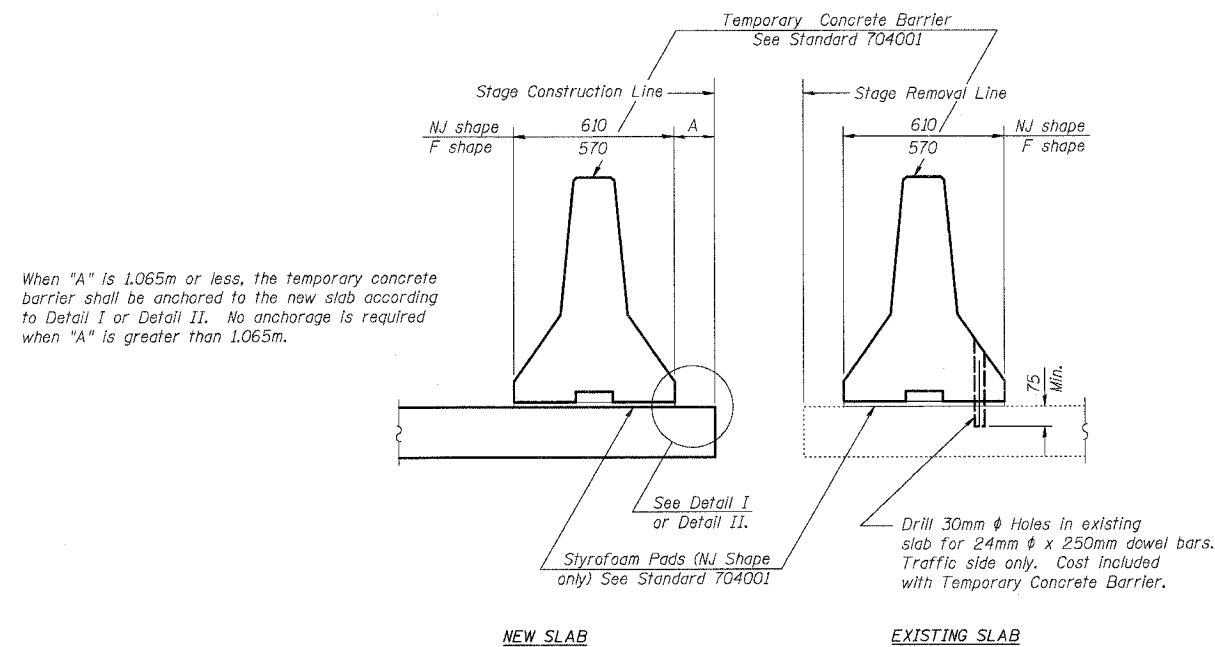


F.A.P. RTE.	SECTION	COUNTY	TOTAL SHEETS	SHEET NO.
343	70HB-R-1	COOK	283	192
STA.		TO STA.		
FED. ROAD DIST. NO.	ILLINOIS	FED. AID PROJECT		
CONTRACT NO. 62897				

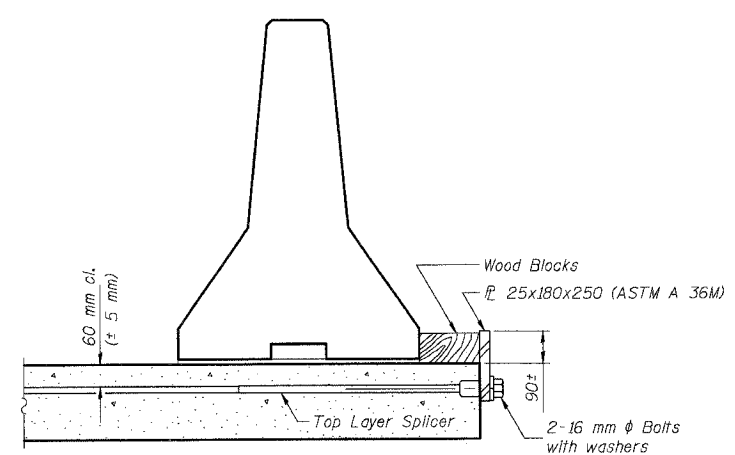


When "A" is 1.065m or less, the temporary concrete barrier shall be anchored to the new slab according to Detail I or Detail II. No anchorage is required when "A" is greater than 1.065m.

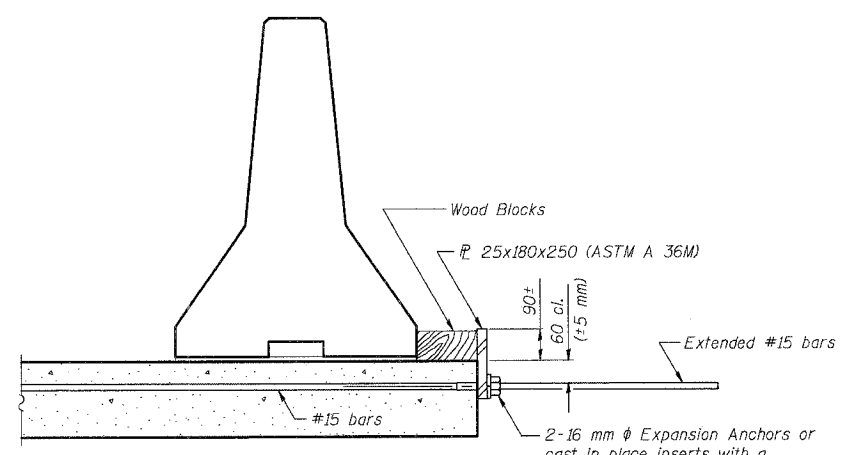
SECTIONS THRU SLAB

NOTES:

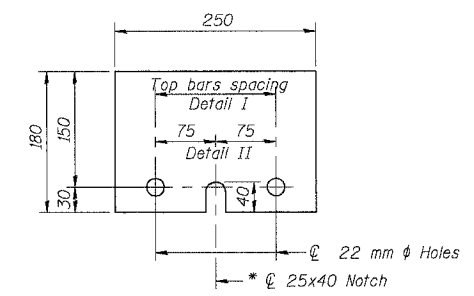
- Detail I - With Bar Splicer or Couplers:
Connect one (1) 25x180x250 steel \bar{P} to the top layer of couplers with 2-16 mm ϕ bolts screwed to coupler at approximate \bar{C} of each barrier panel.
 - Detail II - With Extended Reinforcement Bars:
Connect one (1) 25x180x250 steel \bar{P} to the concrete slab with 2-16 mm ϕ Expansion Anchors or cast in place inserts spaced between the top layer of reinforcement at approximate \bar{C} of each barrier panel.
- Cost of anchorage is included with Temporary Concrete Barrier.
All dimensions are in millimeters (mm) except as noted.



DETAIL I
The 25x180x250 Plate shall not be removed until Stage II Construction forms and reinforcement bars are in place.



DETAIL II
The 25x180x250 Plate shall not be removed until Stage II Construction forms and all reinforcement bars are in place and the concrete is ready to be placed.



\bar{P} 25x180x250
* Required only with Detail II

R-27 (M) 9-01-03



REVISIONS	
NAME	DATE

ILLINOIS DEPARTMENT OF TRANSPORTATION
IL ROUTE 68 OVER US ROUTE 14
F.A.P. ROUTE 343 SECTION 70HB-R-1
COOK COUNTY STATION 10+001.778
STRUCTURE NO. 016-2861
TEMPORARY CONCRETE BARRIER
DATE: 10/06
DESIGNED: BTO
CHECKED: JAN
DRAWN: BTO
CHECKED: JAN

SHT. S-07 OF S-27