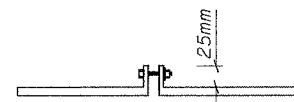
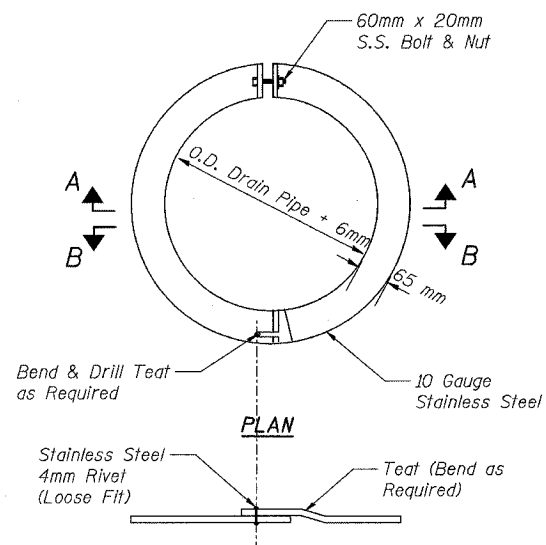


F.A.P. RTE.	SECTION	COUNTY	TOTAL SHEETS	SHEET NO.
343	70HB-R-1	COOK	283	200
STA.	TO STA.			
FED. ROAD DIST. NO.	ILLINOIS FED. AID PROJECT			

CONTRACT NO. 62897

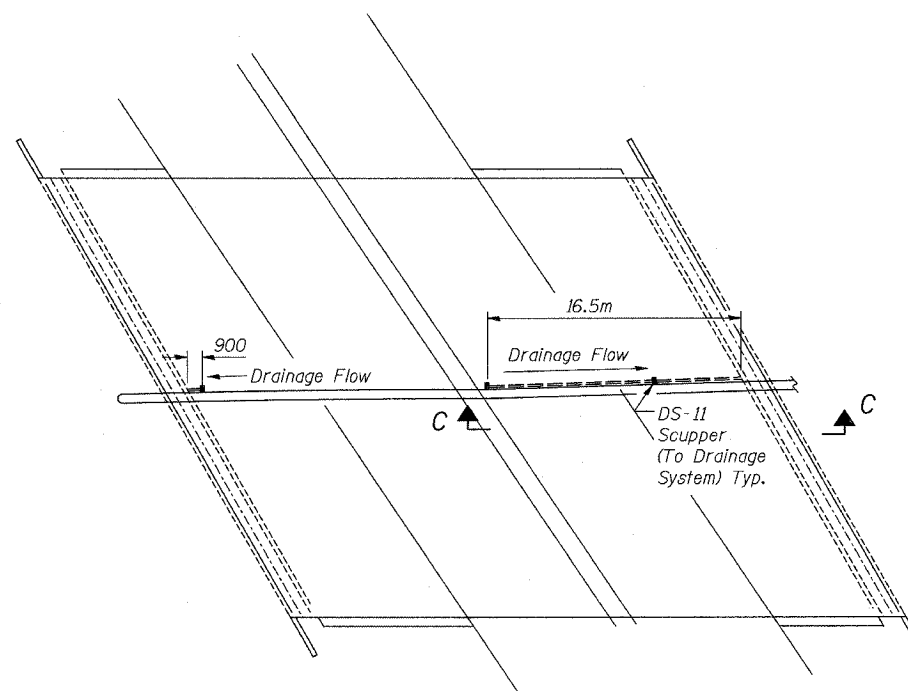


SECTION A-A



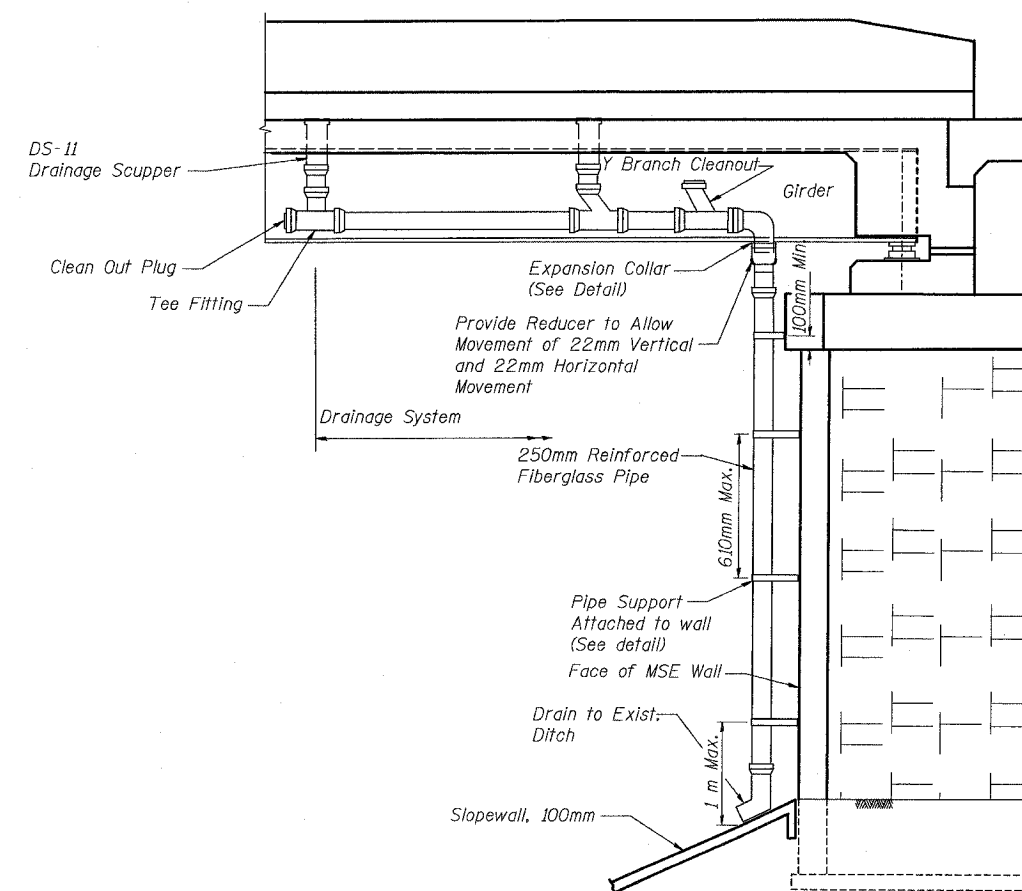
SECTION B-B

EXPANSION COLLAR DETAIL

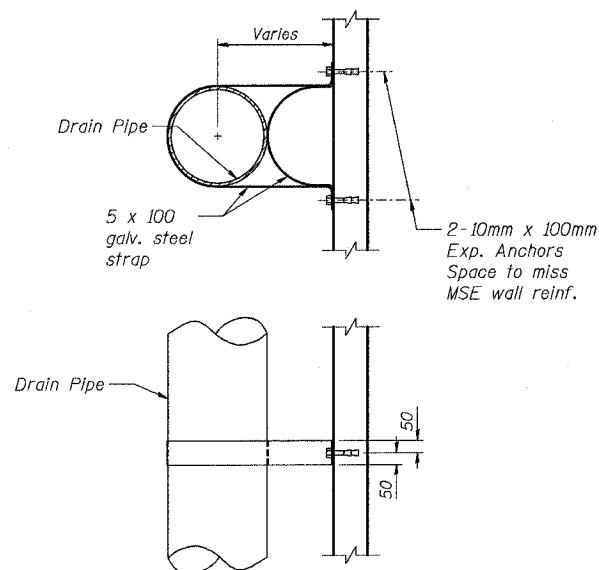


DRAINAGE SYSTEM PLAN

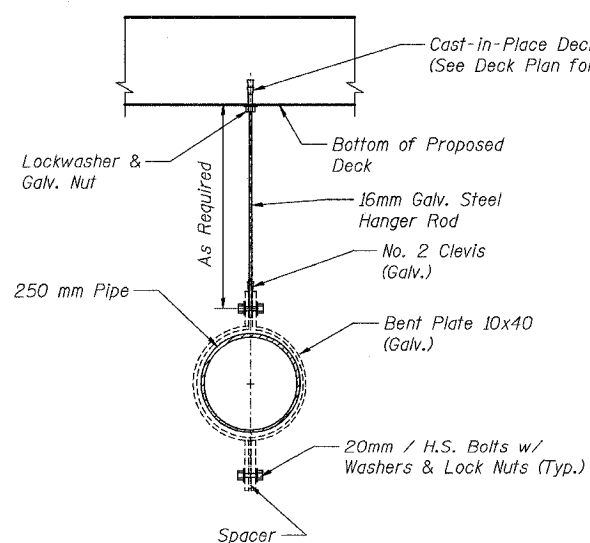
(See deck plan for location of drainage pipe deck inserts)



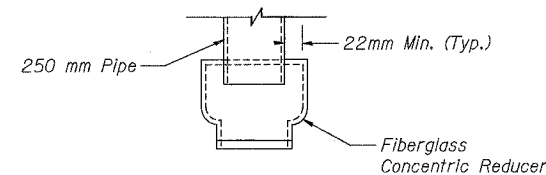
VIEW C-C (TYP.)
(2 Places)



PIPE BRACKET DETAIL AT MSE WALL



PIPE HANGER BELOW DECK



PIPE REDUCER DETAIL

NOTE:

All dimensions are in millimeters (mm) except as noted.



BILL OF MATERIAL

Item	Unit	Total
Drainage System No. 1	Each	1

SHT. S-15 OF S-27

REVISIONS	
NAME	DATE

ILLINOIS DEPARTMENT OF TRANSPORTATION
IL ROUTE 68 OVER US ROUTE 14
F.A.P. ROUTE 343 SECTION 70HB-R-1
COOK COUNTY STATION 10+001.778
STRUCTURE NO. 016-2861

BRIDGE DRAINAGE SYSTEM

DESIGNED: JAN
CHECKED: BTO
DRAWN: JAN
CHECKED: BTO
DATE: 10/06