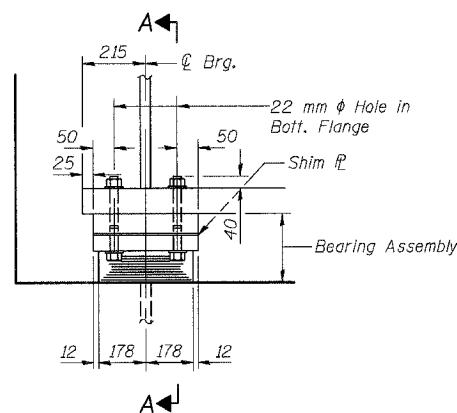


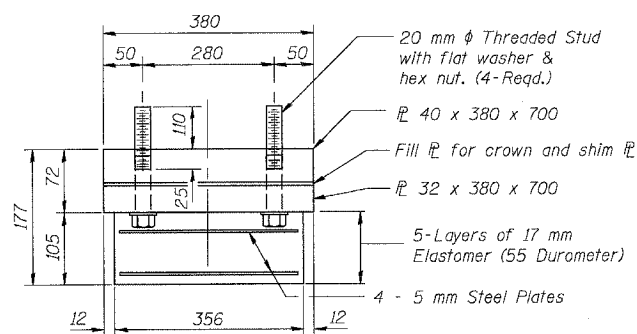
F.A.P. RTE.	SECTION	COUNTY	TOTAL SHEETS	SHEET NO.
343	70HB-R-1	COOK	283	203
STA.		TO STA.		
ILLINOIS		FED. AID PROJECT		

CONTRACT NO. 62897



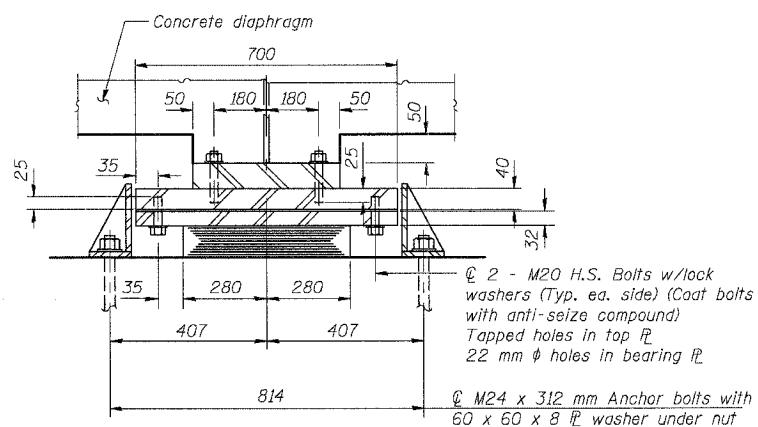
ELEVATION AT ABUT.

**TYPE I ELASTOMERIC EXP. BRG.**  
(East Abutment)

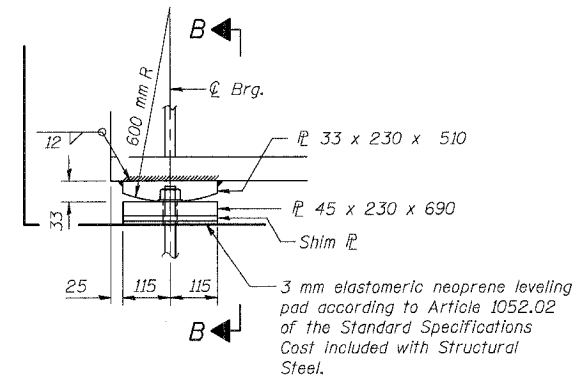


**BEARING ASSEMBLY**

Note: Shim plates shall not be placed under Bearing Assembly.



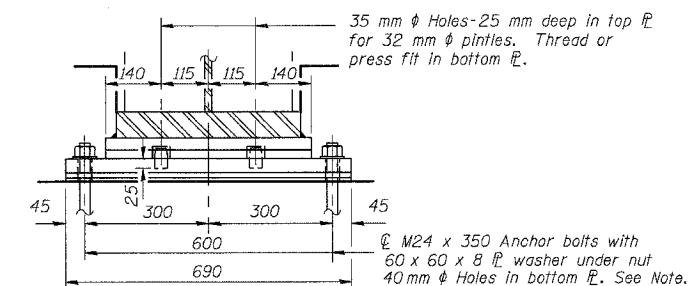
SECTION A-A



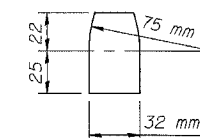
ELEVATION

**FIXED BEARING**  
(West Abutment)

FOR INFORMATION ONLY.  
BEARINGS FABRICATED UNDER  
BEAM FABRICATION CONTRACT



SECTION B-B



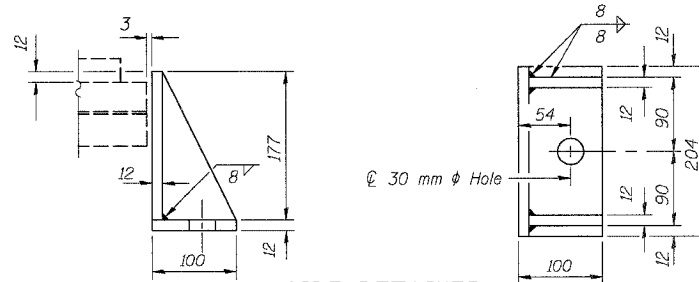
PINTLE

**BILL OF MATERIAL**

Item	Unit	Total
Erecting Elastomeric Bearing Assembly, Type I	Each	11

**NOTES:**

- Structural steel for bearing plates shall be AASHTO M270M, Grade 250.
- Anchor bolts at fixed bearings may be built into the masonry. See sheet S-19 of S-27 for Anchor Bolt installation.



**SIDE RETAINER**

Equivalent rolled angle with stiffeners will be allowed in lieu of welded plates. Weight included with Structural Steel.



REVISIONS	
NAME	DATE

ILLINOIS DEPARTMENT OF TRANSPORTATION  
IL ROUTE 68 OVER US ROUTE 14  
F.A.P. ROUTE 343 SECTION 70HB-R-1  
COOK COUNTY STATION 10+001.778  
STRUCTURE NO. D16-2861

**BEARING DETAILS**

DESIGNED: BTO DRAWN: BTO  
CHECKED: JAN CHECKED: JAN  
DATE: 10/06

SHT. S-18 OF S-27