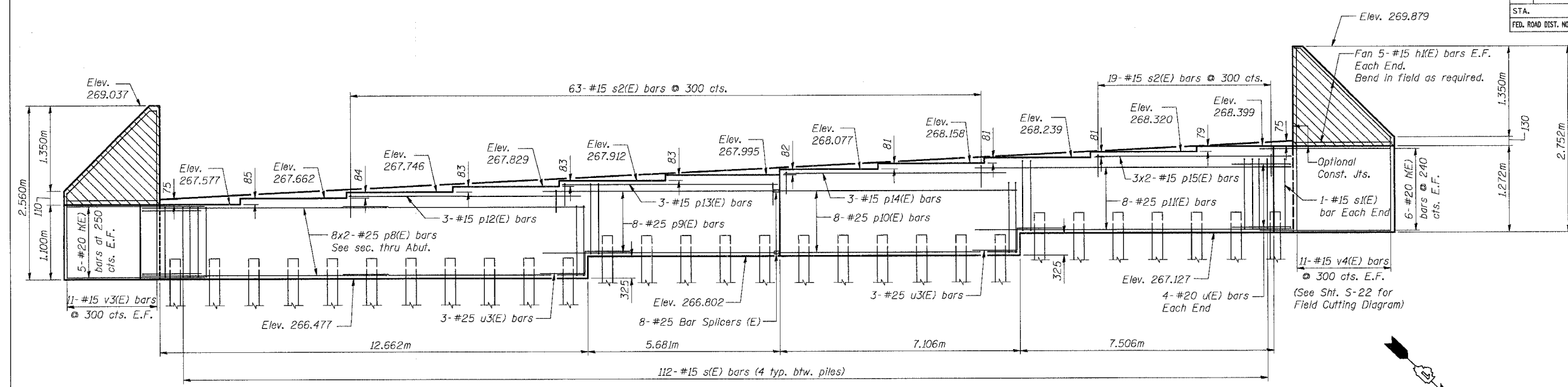
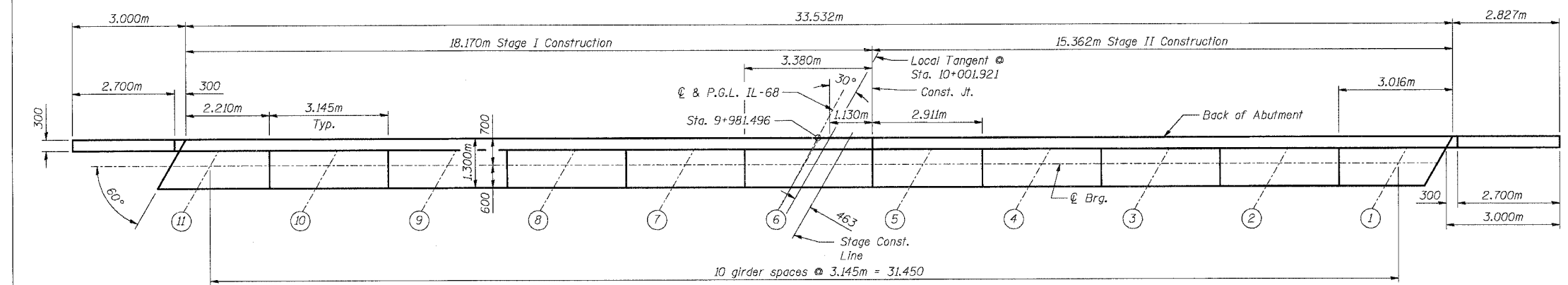


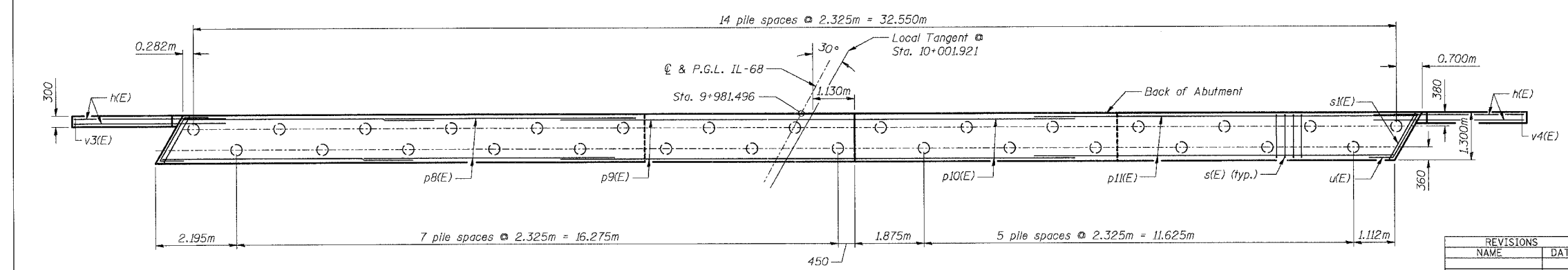
F.A.P. RTE.	SECTION	COUNTY	TOTAL SHEETS	SHEET NO.
343	70HB-R-1	COOK	283	207
STA.	TO STA.			
FED. ROAD DIST. NO.	ILLINOIS	FED. AID PROJECT		
CONTRACT NO. 62897				



ELEVATION
(Looking West)



TOP VIEW



PILE PLAN

MIN. BAR LAP
#15 = 640
#20 = 790
#25 = 1.32m

PILE DATA
Pile Size and Type: 305mm ϕ Metal Shell, w/6.3mm wall
Nominal required Bearing: 1500 KN
Allowable Resistance Available: 500 KN
Est. Pile Length: 23.22m
Number of Piles: 28
Number of Test Piles: 1
Piles Shall be driven through 457mm ϕ pre-cored holes extending to Elev. 259.76. The Metal Shell Piles shall be according to M A252, Grade 3.

- NOTES:**
1. Pour steps monolithically with abutment.
 2. Space reinforcement in cap to miss anchor bolts.
 3. Bars designated (E) shall be epoxy coated.
 4. E.F. indicates Each Face
 5. For Bill of Material, sections and details, see Sht. S-23 of S-27.
 6. Hatched area to be poured with deck after girders are in place. Quantity of concrete for hatched area included with "Concrete Superstructure" on sht. S-13 of S-27.

SHT. S-22 OF S-27

REVISIONS	NAME	DATE

ILLINOIS DEPARTMENT OF TRANSPORTATION
IL ROUTE 68 OVER US ROUTE 14
F.A.P. ROUTE 343 SECTION 70HB-R-1
COOK COUNTY STATION 10+001.778
STRUCTURE NO. 016-2861
WEST ABUTMENT PLAN & ELEVATION
DESIGNED: BTO DRAWN: BTO
DATE: 10/06 CHECKED: JAN CHECKED: JAN

