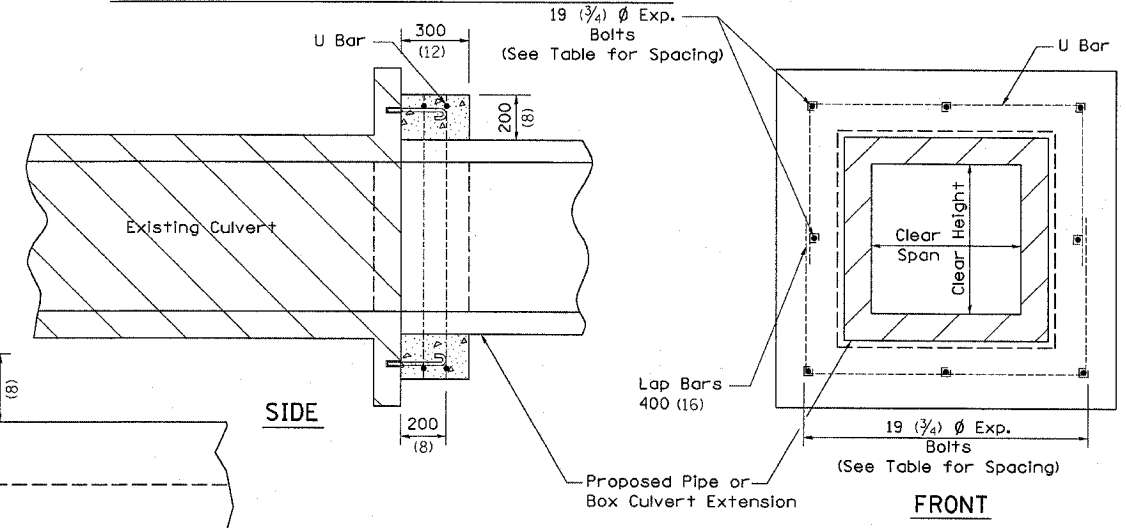
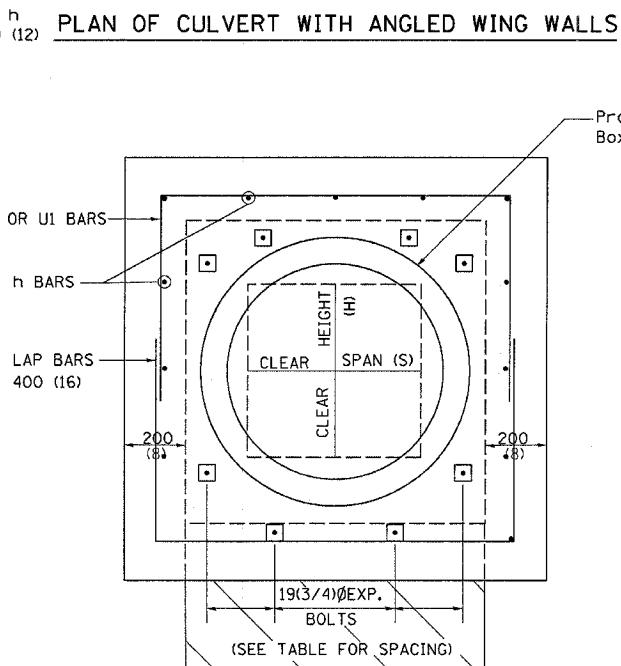
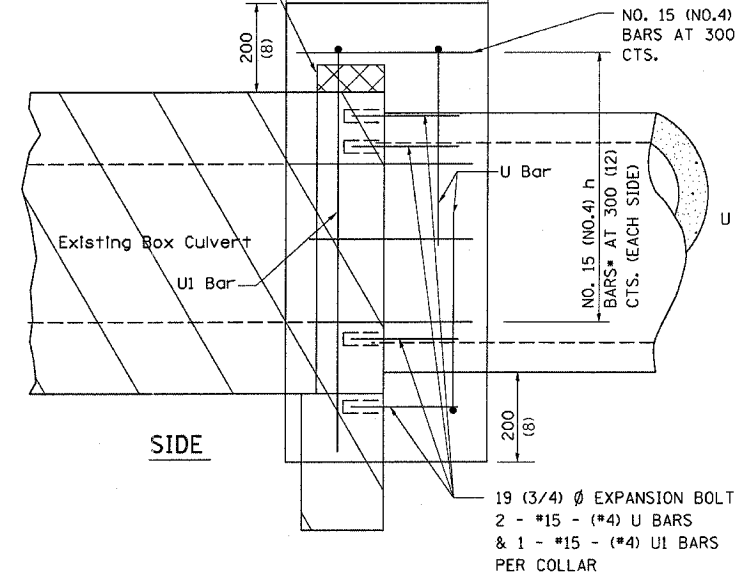
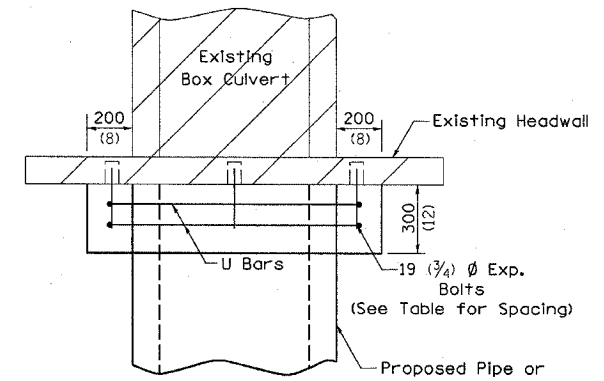
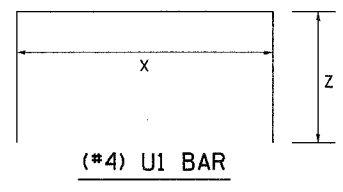
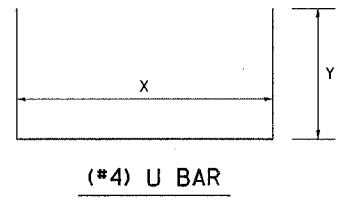
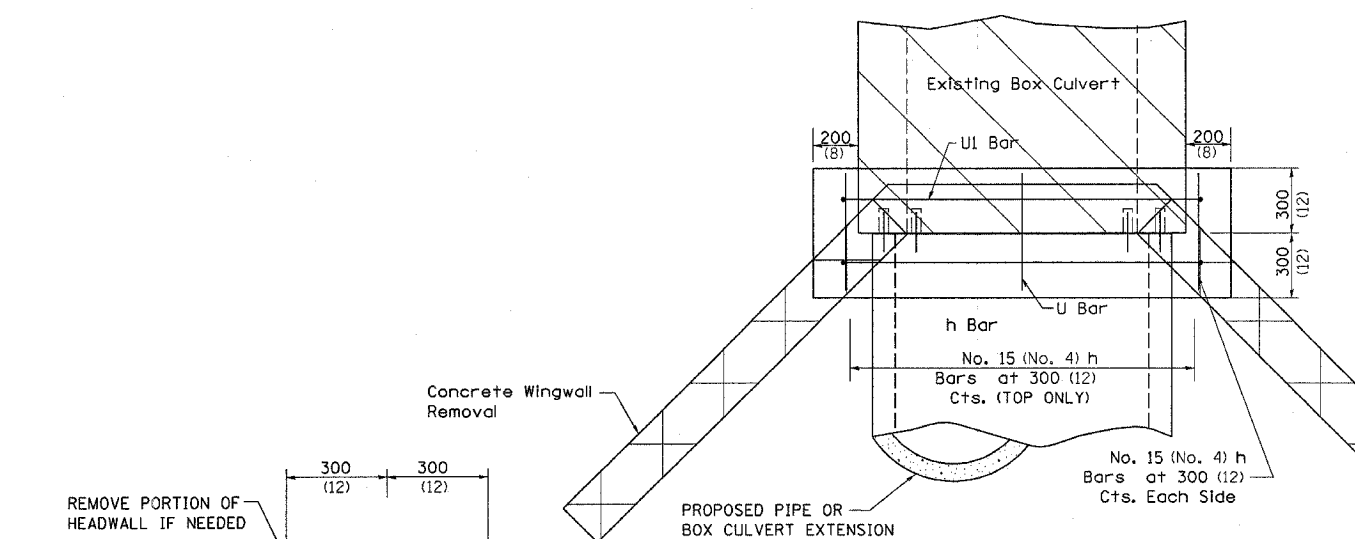


CONCRETE COLLARS FOR PIPE OR BOX CULVERT EXTENSIONS

CONTRACT NO. 64583				
F.A.P. RTE.	SECTION	COUNTY	TOTAL SHEETS	SHEET NO.
567	34X-BR	DEKALB	90	71
STA.		TO STA.		
FED. ROAD DIST. NO.		ILLINOIS FED. AID PROJECT		



PLACEMENT DETAILS FOR EXPANSION BOLTS

H OR S	NUMBER OF EXPANSION BOLTS REQUIRED PER SIDE			
	EXTENSIONS < 4.57m (15')		EXTENSIONS > 4.57m (15')	
	NUMBER	SPACING	NUMBER	SPACING
600 (24)	*		*	
750 (30)	2	450 (18)	2	450 (18)
900 (36)	2	600 (24)	2	600 (24)
1200 (48)	3	450 (18)	3	450 (18)
1500 (60)	4	400 (16)	3	600 (24)
1800 (72)	5	375 (15)	4	500 (20)
2100 (84)	5	450 (18)	4	600 (24)
2400 (96)	6	375 (15)	5	525 (21)
2700 (108)	6	475 (19)	5	600 (24)
3000 (120)	7	450 (18)	6	525 (21)
3300 (132)	8	425 (17)	6	600 (24)
3600 (144)	8	475 (19)	7	550 (22)

* MINIMUM ONE PER SIDE

FRONT

Bill of Materials

STATION	NUMBER OF COLLARS AT LOCATION	DIAMETER OF STORM SEWER (INCHES)	DIMENSIONS		h Bar No.	U Bar		EXPANSION BOLTS No.	CONCRETE COLLAR Cu. Yd.	REINF. BARS Lb.
			X	Y		No.	Length			
134+75, LT	2	18	2'-7"	2'-0"	12	4	6'-7"	0	0.6	30
135+33.30, LT	2	18	2'-7"	2'-0"	12	4	6'-7"	0	0.6	30
136+15.70, LT	2	18	2'-7"	2'-0"	12	4	6'-7"	0	0.6	30
136+43.9, RT	1	18	2'-7"	2'-0"	12	4	6'-7"	0	0.6	30
137+20, LT	2	30	3'-9"	2'-7"	16	4	8'-11"	0	0.9	40
138+00, LT	2	30	3'-9"	2'-7"	16	4	8'-11"	0	0.9	40
138+70, LT	2	30	3'-9"	2'-7"	16	4	8'-11"	0	0.9	40
139+99.15, RT	1	12	2'-0"	1'-8"	8	4	5'-4"	0	0.4	22
142+15.04, RT	1	12	2'-0"	1'-8"	8	4	5'-4"	0	0.4	22
TOTALS FOR 15 COLLARS					0				10.4	494

All h Bars 450 (18) Long

General Notes

Concrete Collars shall be constructed of Class SI Concrete in accordance with Section 503 of the Standard Specifications

Reinforcement bars shall conform to Section 508 of the Standard Specifications.

The concrete will be paid for at the contract unit price per cubic meter (cubic yard) for CONCRETE COLLAR. Reinforcement will be paid for at the contract unit price per kilogram (pound) for REINFORCEMENT BARS. Expansion Bolts, when required, will be paid for at the contract unit price each for EXPANSION BOLTS of the size indicated, which price shall include furnishing, drilling holes, and installing the expansion bolts complete in place. These bolts shall extend at least 200 (8 inches) into the new concrete.

ILLINOIS DEPARTMENT OF TRANSPORTATION
DETAILS

FAP RTE 567 (IL RTE 38)
SECTION 34X-BR
DEKALB COUNTY

REVISIONS	
NAME	DATE
IDOT REVIEW	10/25/06
IDOT REVISIONS	2/01/07

SCALE: VERT. HORIZ. DATE 10/12/05 DRAWN BY SUTHEARD CHECKED BY BOTT

GREENE & BRADFORD, INC. COMPUTER FILE NO. D10800SPL PROJECT 05198 10/25/06-GSJ

PLOT DATE: 1/2/2007
FILE NAME: #FILES#
PLOT SCALE: #SCALE#
REFERENCE: #REF#
OPERATOR: #USER#