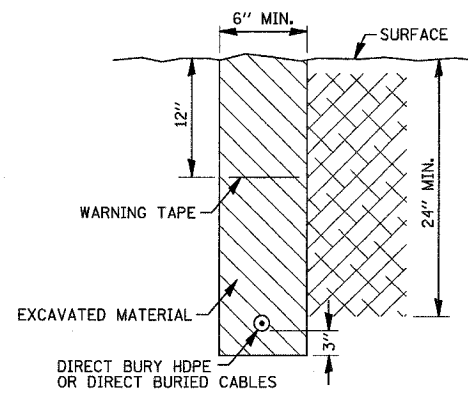
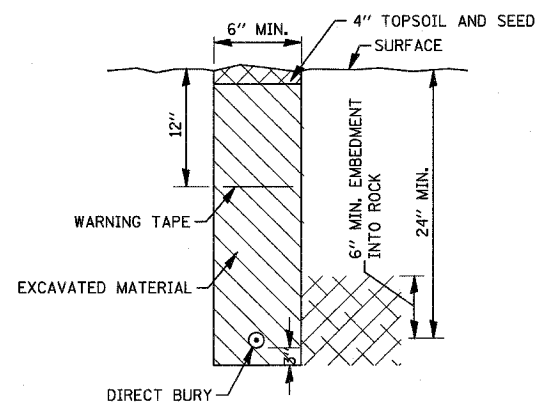


F.A.T. R.T.E.	SECTION	COUNTY	TOTAL SHEETS	SHEET NO.
39	141 / 201		46	38
STA.		TO STA.		
FED. ROAD DIST. NO.		ILLINOIS	FED. AID PROJECT	
*OGLE / WINNEBAGO				

SURFACE ROCK



BELOW SURFACE ROCK



1. MINIMUM COVER REQUIREMENT IN ROCK IS 24" OF COVER FROM THE TOP OF THE CABLE OR DUCT.
2. COMPACT BACK FILL MATERIAL TO THE SATISFACTION OF THE ENGINEER.
3. NOTIFY IDOT IF BLASTING IS REQUIRED.
4. PLACEMENT OF WARNING TAPE SHALL BE INCLUDED WITH INSTALLATION OF FIBER OPTIC CABLES AND CONDUITS AT NO ADDITIONAL COST.

TYPICAL ROCK SAW PROFILE

FIG. 1

PLOWING WITH NO DISTURBANCE OF DRAINAGE DITCH BANKS

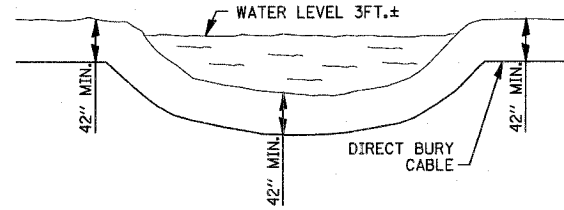


FIG. 2

REMOVE AND REPLACE BANKS IF NEEDED TO ALLOW PLOWING OF CABLE WITHOUT ADVERSE ANGLE CHANGE

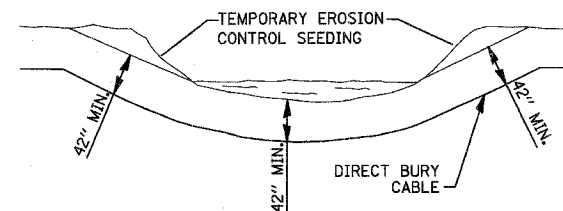


FIG. 3

SAME AS FIGURE #2 BUT DRAINAGE DITCH BANKS ARE MORE VERTICAL AND MAY REQUIRE TEMPORARY EROSION CONTROL SEEDING.

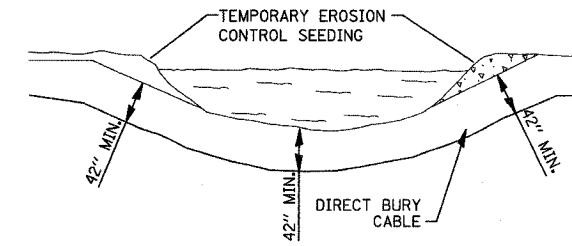
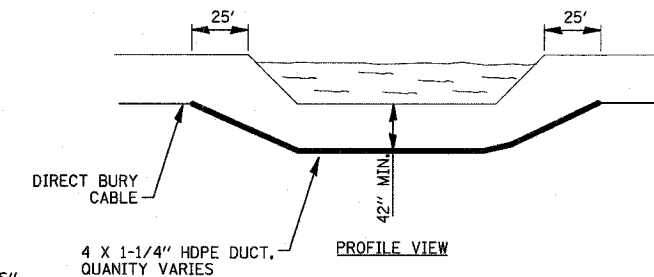
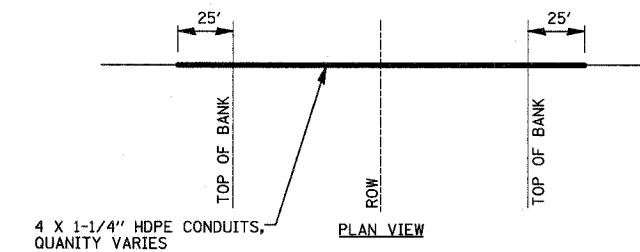


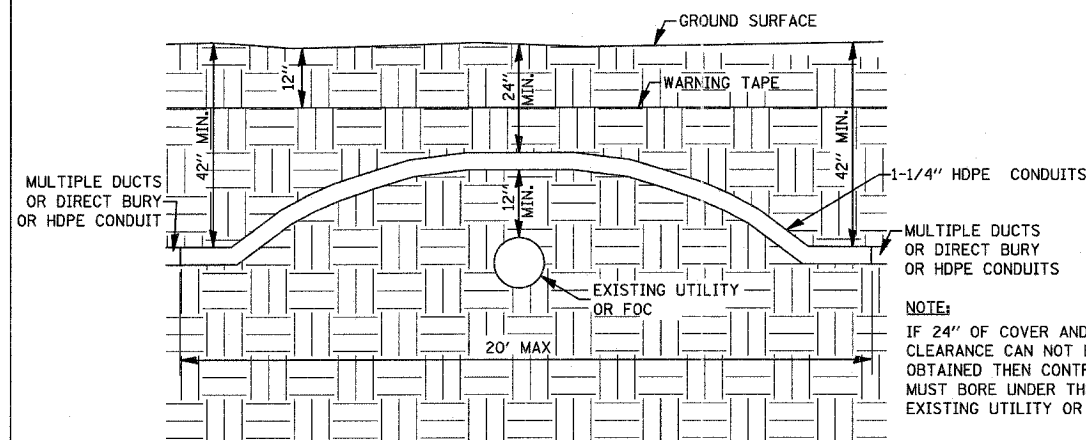
FIG. 4

TYPICAL DIRECTIONAL BORE



1. THE CONSTRUCTION OF THE CABLE MUST NOT RESULT IN ANY INCREASE IN EXISTING GROUND ELEVATIONS.
2. NORMAL CONSTRUCTION TECHNIQUE IS TO PLOW THE CABLE AT A MINIMUM DEPTH OF 42 INCHES.
3. TBON = FIBER OPTIC CABLE
4. BORE PITS SHALL NOT BE EXCAVATED CLOSER THEN 25 FEET FROM THE TOP OF THE DITCH BANKS.
5. CONDUITS MUST BE A MINIMUM OF 42" BELOW LOWEST POINT OF THE DRAINAGE DITCH.
6. CONDUIT ENDS MUST BE PLUGGED. (ARNCO HYDRA-SEAL S-60 OR IDOT APPROVED EQUAL)
7. ALL OPERATIONS MUST MEET REGULATING REQUIREMENTS.
8. RESTORATION SHALL CONFORM TO THE REQUIREMENTS OF GENERAL NOTE 11 OF THE "GENERAL CONSTRUCTION NOTES".
9. CONSTRUCTION SHALL NOT DISTURB OR RESTRICT STREAM OR DITCH FLOW AS PER IDNR PERMITS.

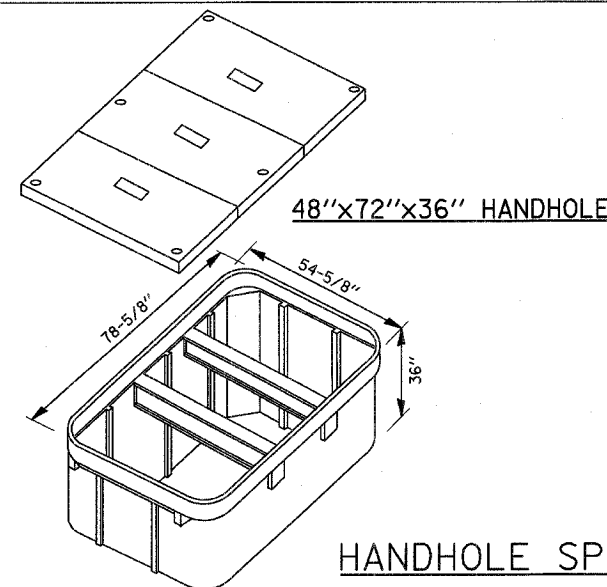
TYPICAL DRAINAGE DITCH CROSSING



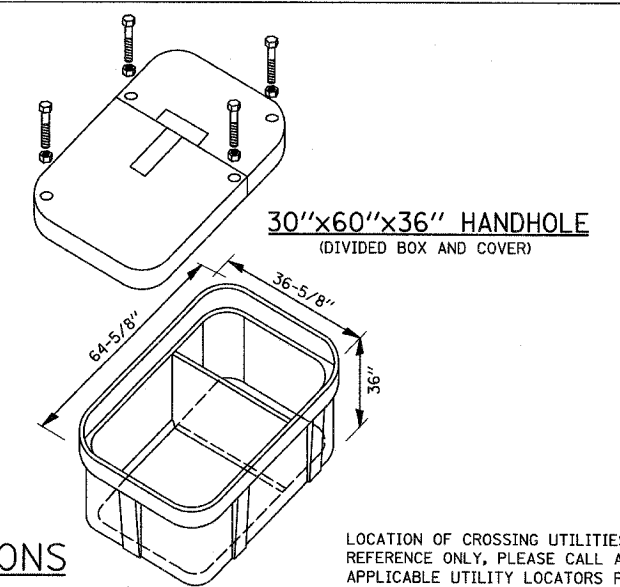
UTILITY AVOIDANCE DETAIL

NOTE:
IF 24" OF COVER AND 12" CLEARANCE CAN NOT BE OBTAINED THEN CONTRACTOR MUST BORE UNDER THE EXISTING UTILITY OR FOC.

IF CONTRACTOR BORES UNDER EXISTING UTILITY OR FOC 48" MIN. SEPARATION MUST BE MAINTAINED. IF CROSSING WITH OPEN EXCAVATION 12" SEPARATION.



HANDHOLE SPECIFICATIONS



LOCATION OF CROSSING UTILITIES FOR REFERENCE ONLY, PLEASE CALL ALL APPLICABLE UTILITY LOCATORS FOR EXACT LOCATION PRIOR TO DIGGING OR TRENCHING.

DETAILS