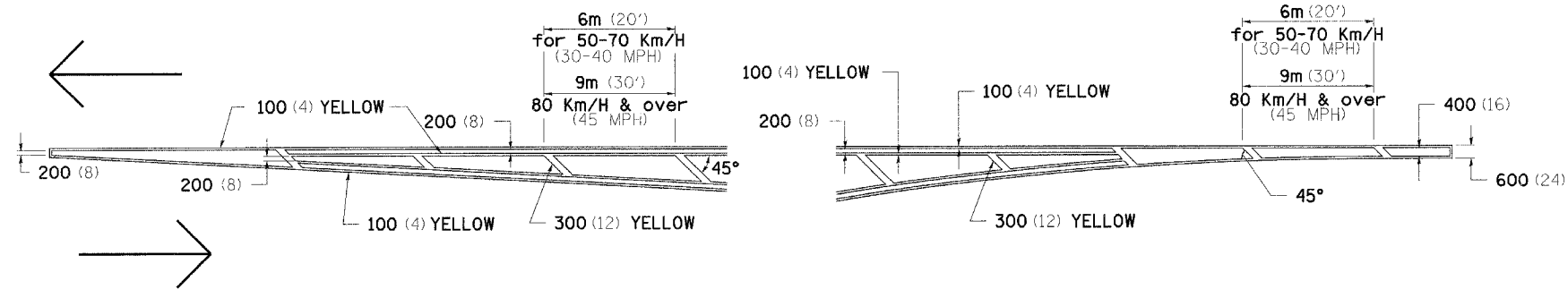


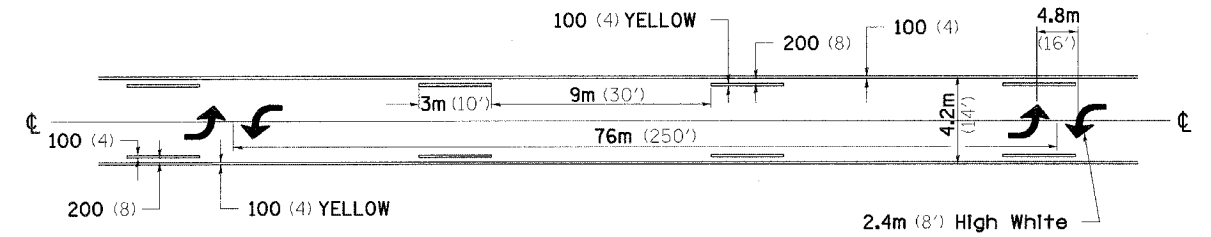
F.A.S. RTE.	SECTION	COUNTY	TOTAL SHEETS	SHEET NO.
55	(102BR-1, 102BR-2, 102BR-3) D	WINNEBAGO	52	51
STA.	TO STA.			
FED. ROAD DIST. NO. 7	ILLINOIS	FED. AID PROJECT		
CONTRACT NO. 64C93				

# TYPICAL PAVEMENT MARKINGS

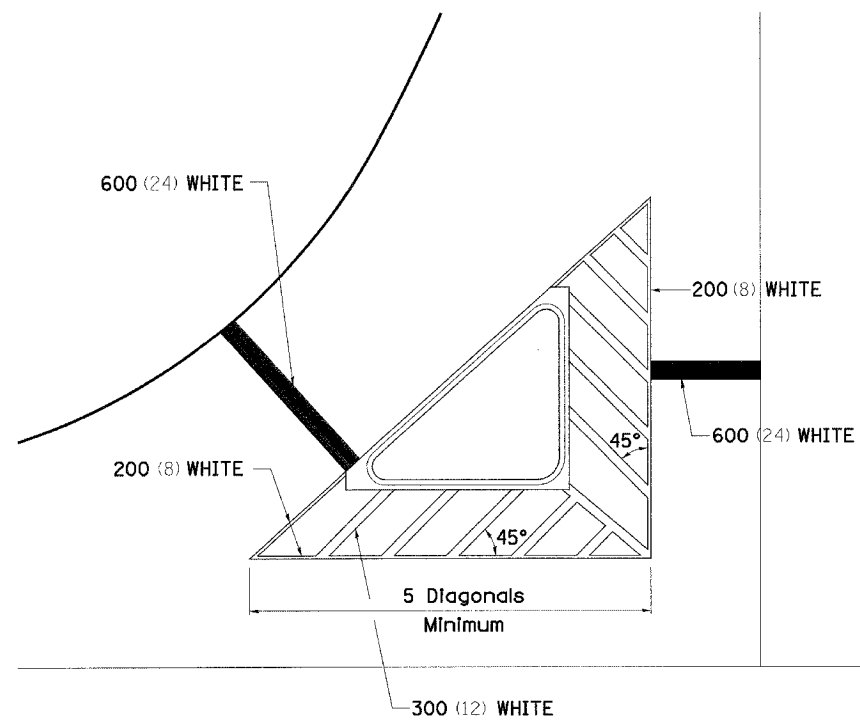
## TYPICAL PAVEMENT MARKING FOR FLUSH MEDIAN AT LEFT TURN LANE



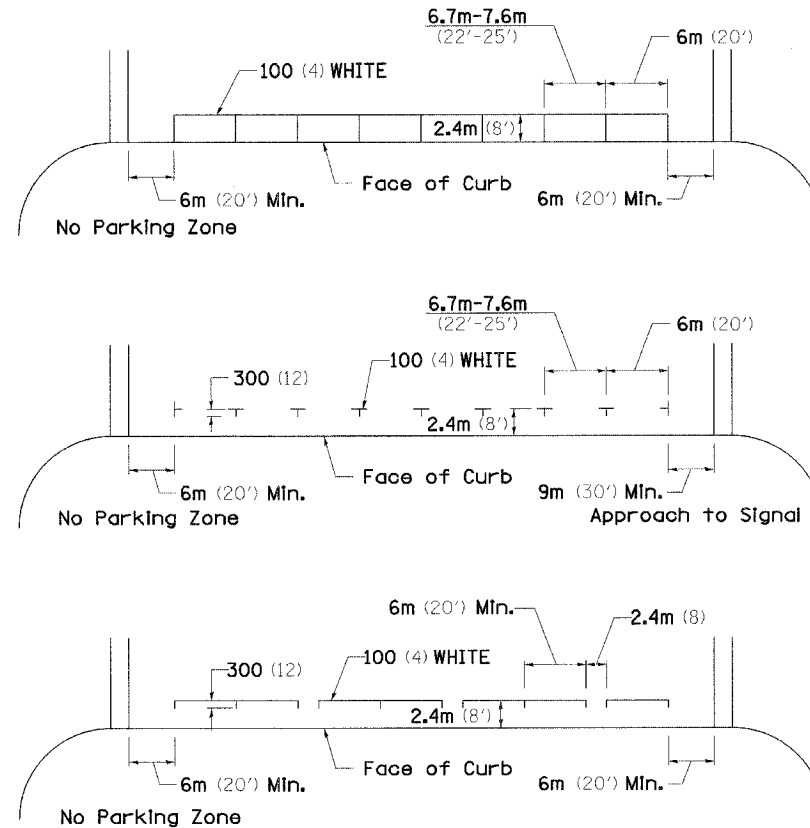
## MEDIAN PAVEMENT MARKING



## TYPICAL ISLAND OFFSET SHOULDER WIDTH



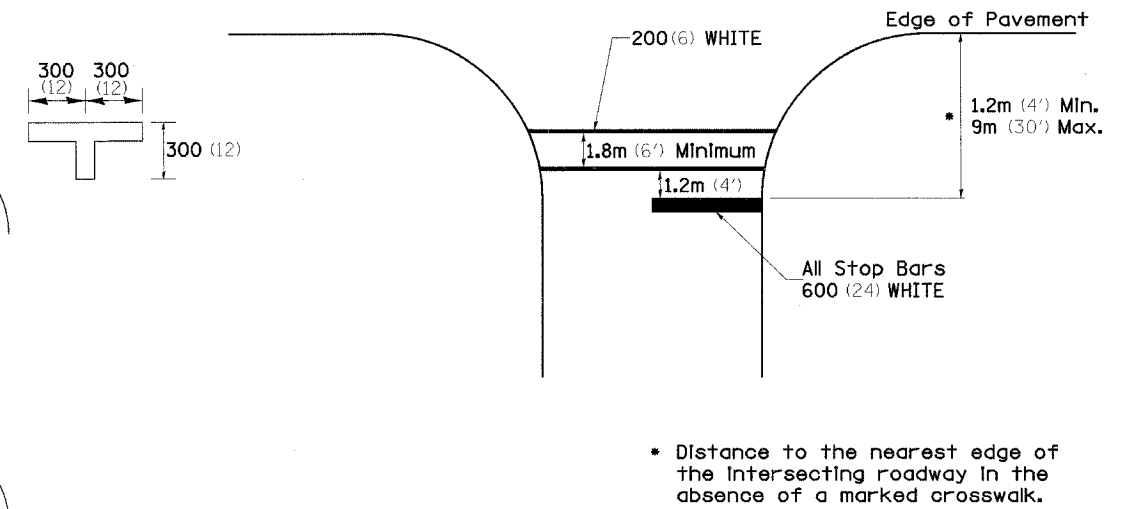
## TYPICAL PARKING SPACING



•• ALL DIMENSIONS ARE IN MILLIMETERS (INCHES) UNLESS OTHERWISE NOTED.

## STANDARD CROSSWALK MARKING

See Schedules for Locations



• Distance to the nearest edge of the intersecting roadway in the absence of a marked crosswalk.

PLOT DATE = 12/14/2006  
FILE NAME = 8FILE1.D  
PLOT SCALE = 1:50  
REFERENCE = #REF#