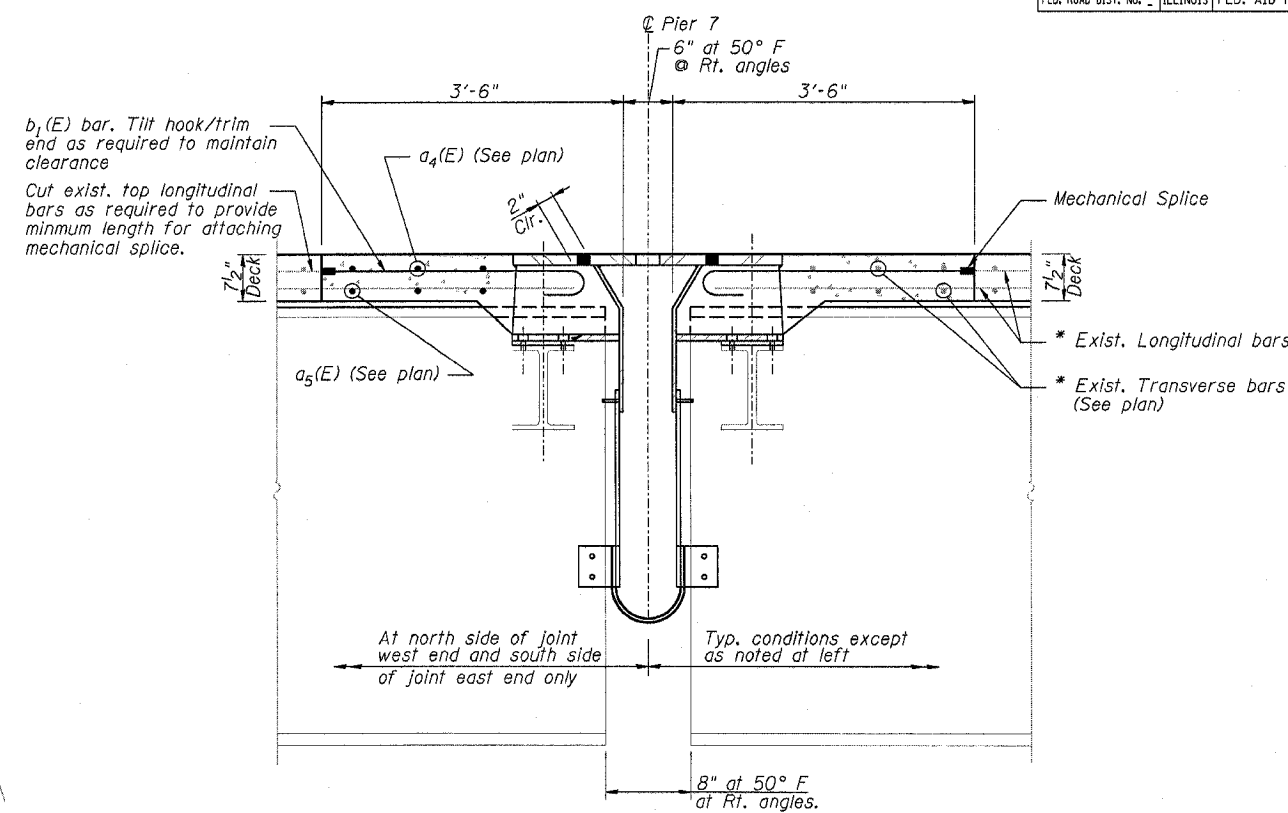
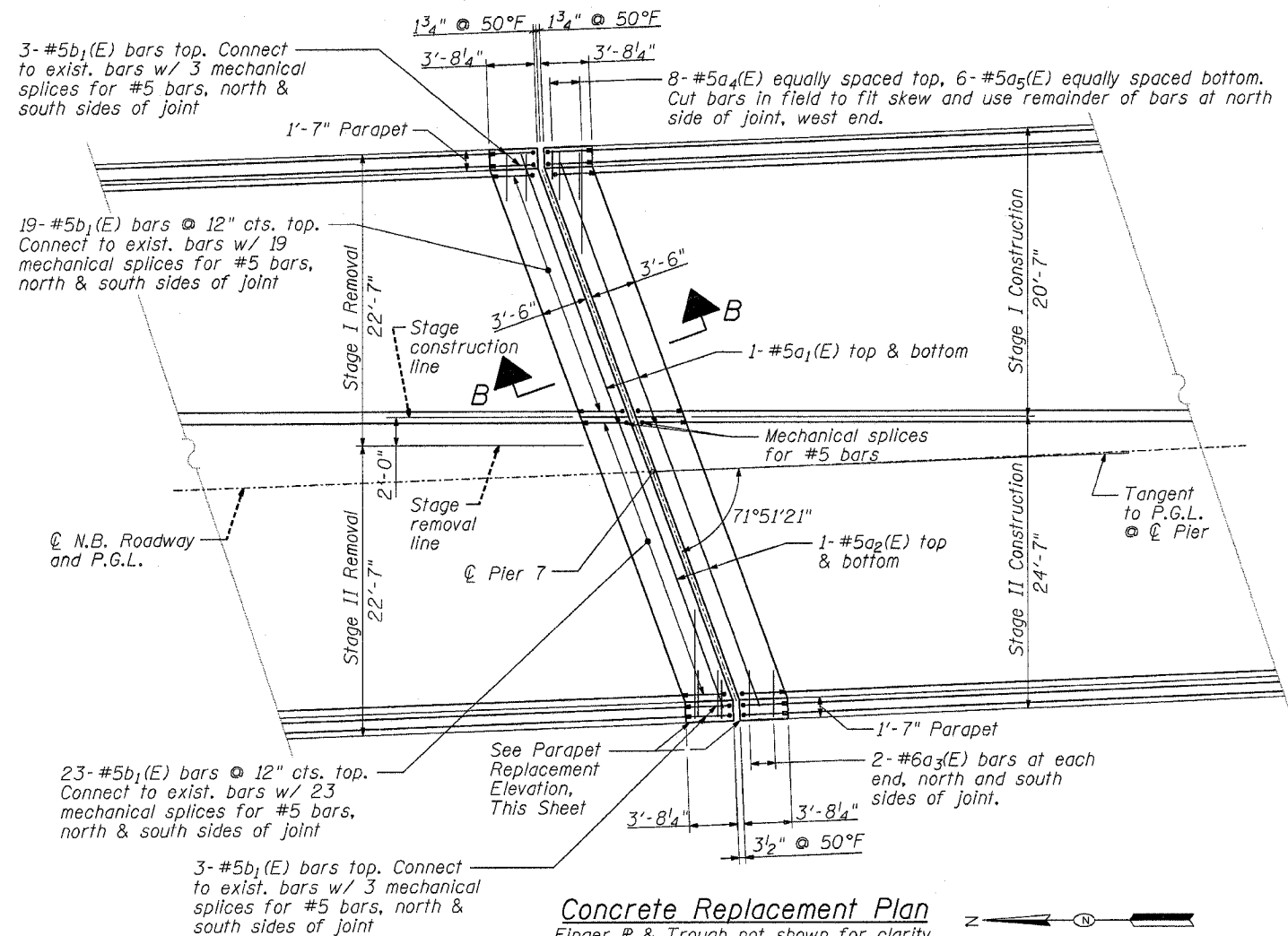


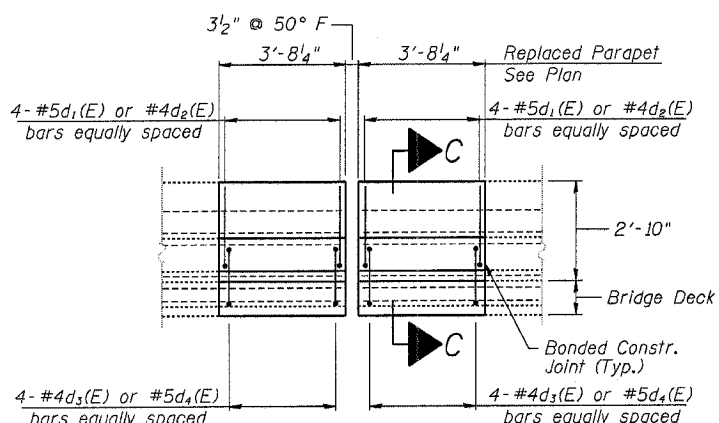
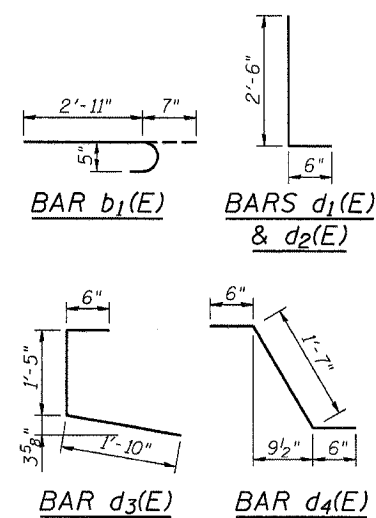
F.A.I. RTE.	SECTION	COUNTY	TOTAL SHEETS	SHEET NO.
80	(81-37-2BRIM)	HENRY	14	11
STA. 299+94		TO STA. 311+81		
FED. ROAD DIST. NO.		ILLINOIS FED. AID PROJECT		



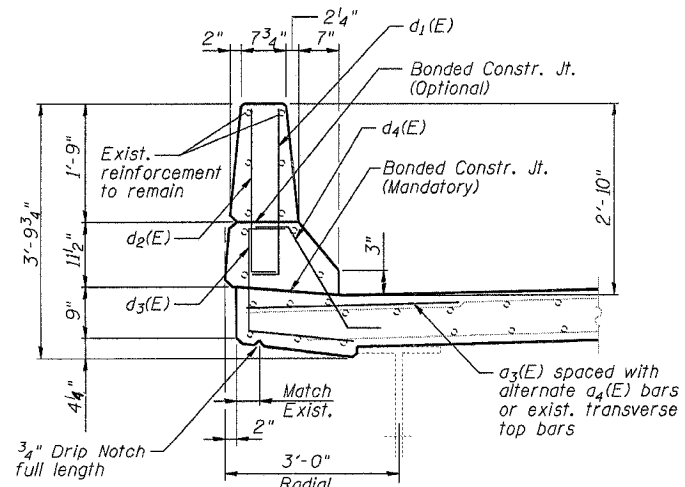
SECTION B-B

BILL OF MATERIAL

BAR MARK	NO. REQ'D.	SIZE	LENGTH	SHAPE
a ₁ (E)	4	#5	22'-1"	—
a ₂ (E)	4	#5	22'-4"	—
a ₃ (E)	8	#6	4'-6"	—
a ₄ (E)	8	#5	12'-8"	—
a ₅ (E)	6	#5	12'-8"	—
b ₁ (E)	96	#5	3'-6"	U
d ₁ (E)	16	#5	3'-0"	┘
d ₂ (E)	16	#4	3'-0"	┘
d ₃ (E)	16	#4	3'-9"	┘
d ₄ (E)	16	#5	2'-7"	┘



PARAPET REPLACEMENT ELEVATION



SECTION C-C

BILL OF MATERIAL

ITEM	UNIT	QUANTITY
Concrete Superstructure	Cu. Yd.	11.6
Reinforcement Bars, Epoxy Coated	Pound	940
Mechanical Splice	Each	104
Protective Coat	Sq. Yd.	26

REVISIONS	
NAME	DATE

ILLINOIS DEPARTMENT OF TRANSPORTATION
 F.A.I ROUTE - 80
 BRIDGE OVER ROCK RIVER
 SECTION: (81-37-2BRIM)
 FINGERPLATE JOINT REPLACEMENT
 S.N. 037-0022
 CONCRETE REPLACEMENT

SCALE: DATE 12/22/06

DRAWN BY BM
 CHECKED BY KW

L:\Jobs\2005\200404-07\CAD\Structural\Drawings\Concrete_Placement_Plan.dgn
 06/02/06 PM