

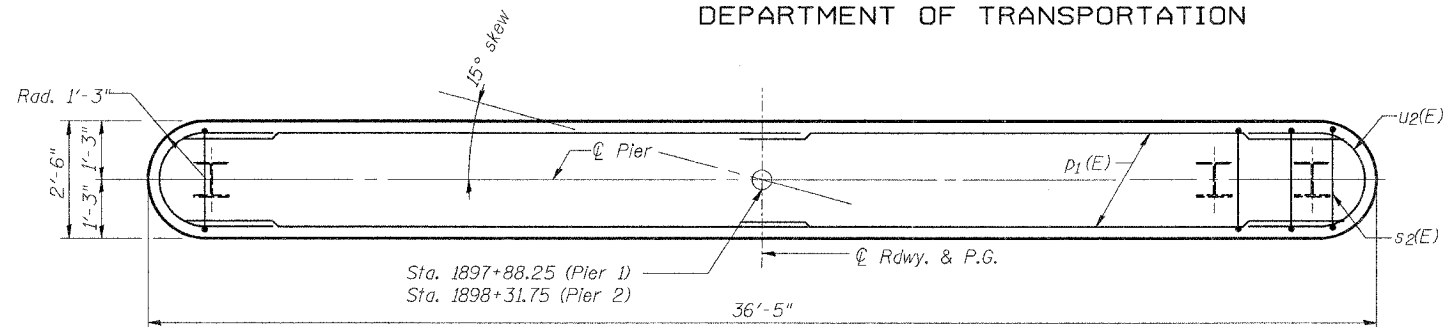
STATE OF ILLINOIS
DEPARTMENT OF TRANSPORTATION

ROUTE NO.	SECTION	COUNTY	TOTAL SHEETS	SHEET NO.	SHEET NO. 6 8 SHEETS
U.S. 45	34 BR-1	IROQUOIS COUNTY	37	18	
FED. ROAD DIST. NO. 7	ILLINOIS	FED. AID PROJECT-			

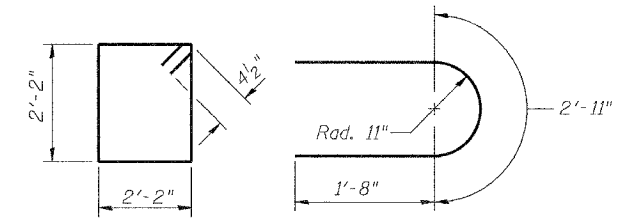
CONTRACT # 66411

PILE DATA

Type : Steel HP 12x53
Nominal required Bearing: 330 kips
Allowable Resistance Available: 110 kips
Est. Length: 63' (Pier 1)
70' (Pier 2)
No. Req.: 9+1 Test Pile (Pier 1)
9+1 Test Pile (Pier 2)

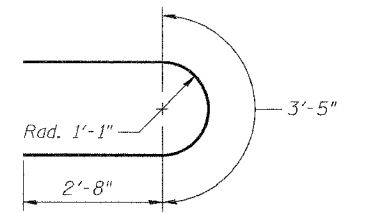


TOP PLAN

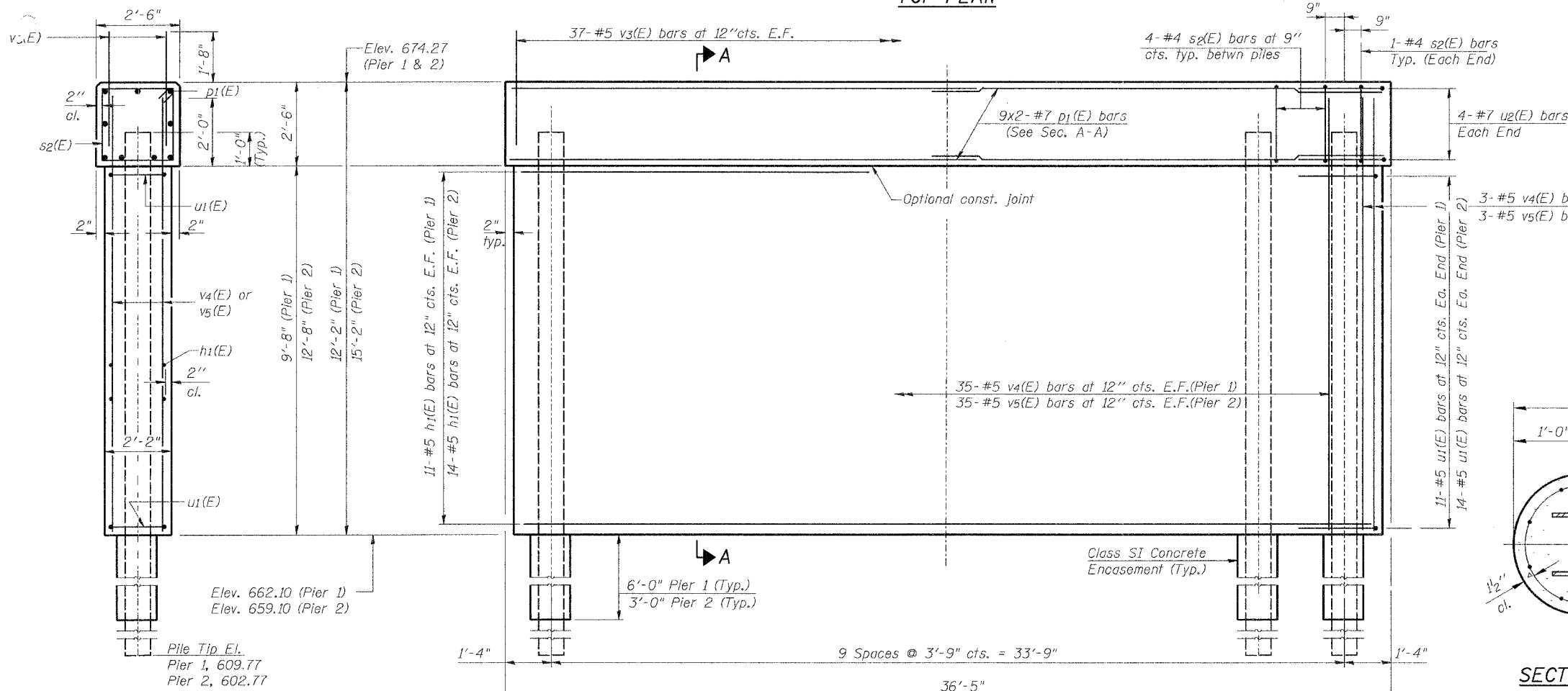


BAR s2(E)

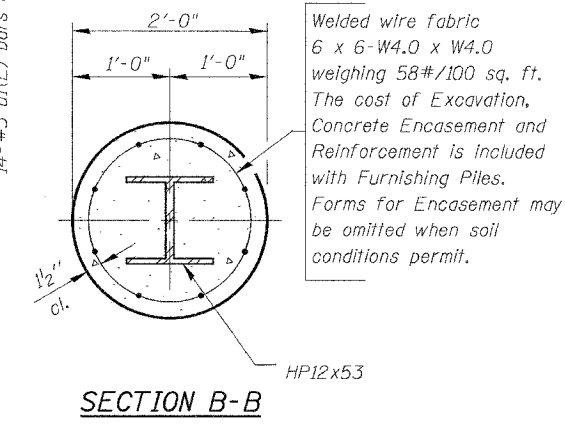
BARS u1(E)



BARS u2(E)



SECTION A-A

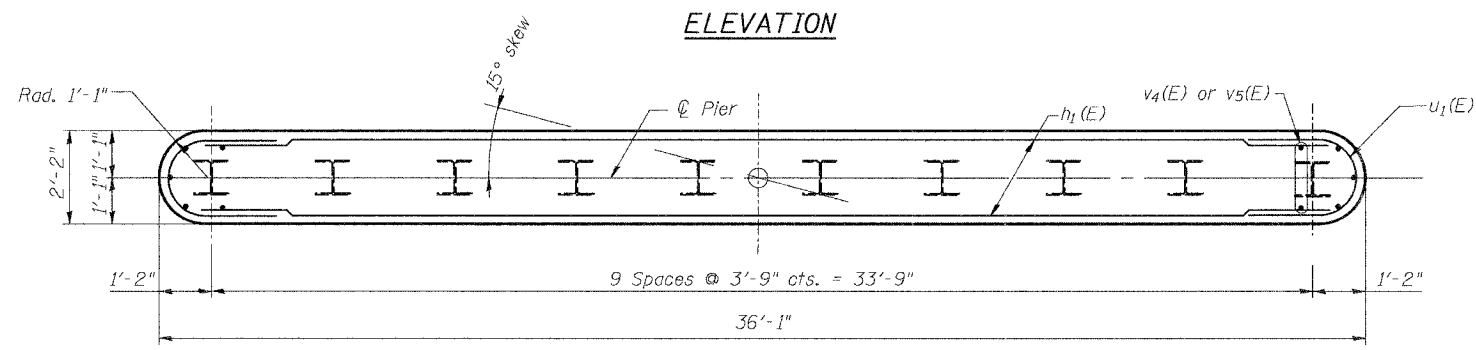


SECTION B-B

**TWO PIERS
BILL OF MATERIAL**

Bar	No.	Size	Length	Shape
h1(E)	50	#5	33'-9"	—
p1(E)	36	#7	19'-6"	—
s2(E)	76	#5	9'-5"	□
u1(E)	50	#5	6'-3"	U
u2(E)	16	#7	8'-9"	U
v3(E)	148	#5	3'-8"	—
v4(E)	76	#5	11'-6"	—
v5(E)	76	#5	14'-6"	—
ITEM	UNIT	QUANTITY		
Concrete Structures	Cu. Yd.	81.6		
Reinforcement Bars, Epoxy Coated	Pound	7,180		
Structure Excavation	Cu. Yd.	36.9		
Furnishing Steel Piles HP 12 x 53	Foot	1197		
Driving Piles	Foot	1197		
Test Pile Steel HP 12 x 53	Each	2		
Underwater Structure Excavation Protection - Location 1	Each	1		
Underwater Structure Excavation Protection - Location 2	Each	1		

Reinforcement Bars designated (E) shall be epoxy coated.



FOOTING PLAN

MIN. BAR LAP

#5 = 1'-8"
#7 = 2'-8"

DESIGNED	M.R./R.A.
CHECKED	H.T.
DRAWN	J.S.
CHECKED	H.T./M.R.

PIERS
U.S. 45 OVER LOUIS CREEK
FAS ROUTE 338 (U.S. 45), SECTION 34 BR-1
IROQUOIS COUNTY
STATION 1898+10.00
STRUCTURE NO. 038-0212

SCALE: NONE DATE: OCTOBER, 2006
Soodan
Soodan & Associates, Inc.
100 North LaSalle Street, Suite 1800
Chicago, Illinois 60602