

F.A.P. RTE.	SECTION	COUNTY	TOTAL SHEETS	SHEET NO.
623	*	LASALLE	126	3
STA.		TO STA.		
FED. ROAD DIST. NO.		ILLINOIS FED. AID PROJECT		
* (34)R,DM&(X-1)RS&BR				

SUMMARY OF QUANTITIES

CODE NO.	ITEM	UNIT	TOTAL QUANTITY	CONSTRUCTION CODE TYPE:							
				I000-2A	X171-5B	X071-2A	Y007	SFTY-1A	SFTY-1B	SFTY-1B	
				ROADWAY	SN 050-0095	SN 050-0094	STORM SEWER UPSIZE	SIDEWALK REMOVAL	DETECTABLE WARNINGS	SIDEWALK	
				80% FED 20% STATE	80% FED 20% STATE	80% FED 20% STATE	100% CITY	100% CITY	50% STATE 50% CITY	50% STATE 50% CITY	
20100110	TREE REMOVAL (6 TO 15 UNITS DIAMETER)	UNIT	2360	2360							
20100210	TREE REMOVAL (OVER 15 UNITS DIAMETER)	UNIT	1784	1784							
20101350	TREE PRUNING (OVER 10 INCH DIAMETER)	EACH	1	1							
20200100	EARTH EXCAVATION	CU YD	7433	7433							
20400800	FURNISHED EXCAVATION	CU YD	536	536							
20700400	POROUS GRANULAR EMBANKMENT, SPECIAL	CU YD	173			173					
20800150	TRENCH BACKFILL	CU YD	812	812							
* 25000200	SEEDING, CLASS 2	ACRE	0.5	0.5							
* 25000400	NITROGEN FERTILIZER NUTRIENT	POUND	90	90							
* 25000500	PHOSPHORUS FERTILIZER NUTRIENT	POUND	90	90							
* 25000600	POTASSIUM FERTILIZER NUTRIENT	POUND	90	90							
* 25100630	EROSION CONTROL BLANKET	SQ YD	2476	2476							
* 25200100	SODDING	SQ YD	3600	3600							
25200200	SUPPLEMENTAL WATERING	UNIT	11	11							
28000250	TEMPORARY EROSION CONTROL SEEDING	POUND	117	117							
28000400	PERIMETER EROSION BARRIER	FOOT	1979	1979							
28000500	INLET AND PIPE PROTECTION	EACH	10	10							
28100205	STONE RIPRAP, CLASS A3	TON	4	4							
31100300	SUB-BASE GRANULAR MATERIAL, TYPE A 4"	SQ YD	703	703							
31101810	SUB-BASE GRANULAR MATERIAL, TYPE B 12"	SQ YD	4032	4032							
35101400	AGGREGATE BASE COURSE, TYPE B	TON	450	450							
35400400	PORTLAND CEMENT CONCRETE BASE COURSE WIDENING 9"	SQ YD	198	198							
40201000	AGGREGATE FOR TEMPORARY ACCESS	TON	75	75							
40600100	BITUMINOUS MATERIALS (PRIME COAT)	GALLON	1904	1904							
40600300	AGGREGATE (PRIME COAT)	TON	7	7							
40600535	LEVELING BINDER (HAND METHOD), N70	TON	2	2							
40600635	LEVELING BINDER (MACHINE METHOD), N70	TON	162	162							
40600895	CONSTRUCTING TEST STRIP	EACH	2	2							
40600985	PORTLAND CEMENT CONCRETE SURFACE REMOVAL - BUTT JOINT	SQ YD	167	167							
40600990	TEMPORARY RAMP	SQ YD	118	118							
40603080	HOT-MIX ASPHALT BINDER COURSE, IL 19.0, N50	TON	229	229							
40603235	HOT-MIX ASPHALT BINDER COURSE, IL 19.0, N70 POLYMERIZED HOT-MIX ASPHALT BINDER COURSE, IL 19.0, N70	TON	1862	1862							
40603310	HOT-MIX ASPHALT SURFACE COURSE, MIX "C", N50	TON	215	215							
40603340	HOT-MIX ASPHALT SURFACE COURSE, MIX "D", N70	TON	539	539							
42001400	BRIDGE APPROACH PAVEMENT (SPECIAL)	SQ YD	266	266							
42300200	PORTLAND CEMENT CONCRETE DRIVEWAY PAVEMENT, 6 INCH	SQ YD	966	966							
42400100	PORTLAND CEMENT CONCRETE SIDEWALK 4 INCH	SQ FT	10507	10180							327
42400440	PORTLAND CEMENT CONCRETE SIDEWALK 6 INCH SPECIAL	SQ FT	210	210							

50% STATE
50% CITY

△ REVISED 2/15/07
*SPECIALTY ITEMS

REVISIONS	
NAME	DATE

ILLINOIS DEPARTMENT OF TRANSPORTATION
SUMMARY OF QUANTITIES
SCALE: VERT. _____
 HORIZ. _____
DATE _____ DRAWN BY _____
 CHECKED BY _____

12/18/2006 10:53:27 AM
c:\p\d\pccs\ep010\dep0118.dgn

F.A.P. RTE.	SECTION	COUNTY	TOTAL SHEETS	SHEET NO.
623	*	LASALLE	126	4
STA.		TO STA.		
FED. ROAD DIST. NO.		ILLINOIS FED. AID PROJECT		
(34)R,DM&X-TRS&BR				

SUMMARY OF QUANTITIES

CODE NO.	ITEM	UNIT	TOTAL QUANTITY	CONSTRUCTION CODE TYPE:							
				I000-2A	X171-5B	X071-2A	Y007	SFTY-1A	SFTY-1B	SFTY-1B	
				ROADWAY	SN 050-0095	SN 050-0094	STORM SEWER UPSIZE	SIDEWALK REMOVAL	DETECTABLE WARNINGS	SIDEWALK	
				80% FED 20% STATE	80% FED 20% STATE	80% FED 20% STATE	100% CITY	100% CITY	50% STATE 50% CITY	50% STATE 50% CITY	
42400500	PORTLAND CEMENT CONCRETE SIDEWALK, SPECIAL	SQ FT	969								969
42400800	DETECTABLE WARNINGS	SQ FT	150								150
44000100	PAVEMENT REMOVAL	SQ YD	4629	4629							
44000159	HOT-MIX ASPHALT SURFACE REMOVAL, 2 1/2"	SQ YD	995	995							
44000198	HOT-MIX ASPHALT SURFACE REMOVAL, VARIABLE DEPTH	SQ YD	2221	2221							
44000200	DRIVEWAY PAVEMENT REMOVAL	SQ YD	580	580							
44000300	CURB REMOVAL	FOOT	979	979							
44000400	GUTTER REMOVAL	FOOT	456	456							
44000500	COMBINATION CURB AND GUTTER REMOVAL	FOOT	1163	1163							
44000600	SIDEWALK REMOVAL	SQ FT	8367	8088				279			
44004250	PAVED SHOULDER REMOVAL	SQ YD	231	231							
44201765	CLASS D PATCHES, TYPE II 10 INCH	SQ YD	57	57							
44201769	CLASS D PATCHES, TYPE III 10 INCH	SQ YD	55	55							
44201803	CLASS D PATCHES, TYPE II 13 INCH	SQ YD	26	26							
48203029	HOT-MIX ASPHALT SHOULDERS, 8"	SQ YD	273	273							
50100100	REMOVAL OF EXISTING STRUCTURES	EACH	1		1						
50102400	CONCRETE REMOVAL	CU YD	61.2			61.2					
50104600	CONCRETE RETAINING WALL REMOVAL	FOOT	716	716							
50104720	REMOVAL OF EXISTING CONCRETE DECK	EACH	1			1					
50105210	REMOVE EXISTING CULVERTS	FOOT	61	61							
50200100	STRUCTURE EXCAVATION	CU YD	309			309					
50300100	FLOOR DRAINS	EACH	10			10					
50300225	CONCRETE STRUCTURES	CU YD	70.2			70.2					
50300255	CONCRETE SUPERSTRUCTURE	CU YD	356.3			356.3					
50300260	BRIDGE DECK GROOVING	SQ YD	930			930					
50300280	CONCRETE ENCASEMENT	CU YD	3.2			3.2					
50300300	PROTECTIVE COAT	SQ YD	1210			1210					
50325305	STRUCTURAL REPAIR OF CONCRETE (DEPTH EQUAL TO OR LESS THAN 5 INCHES)	SQ FT	88			88					
50500105	FURNISHING AND ERECTING STRUCTURAL STEEL	L SUM	1			1					
50500505	STUD SHEAR CONNECTORS	EACH	3984			3984					
50500715	JACK AND REMOVE EXISTING BEARINGS	EACH	10			10					
50501110	STRUCTURAL STEEL REMOVAL	POUND	3460			3460					
50600600	CLEANING AND PAINTING STEEL BRIDGE NO. 1	L SUM	1			1					
50800205	REINFORCEMENT BARS, EPOXY COATED	POUND	102,570			102,570					
50604401	CONTAINMENT AND DISPOSAL OF LEAD PAINT CLEANING RESIDUES NO.1	L SUM	1			1					
50800515	BAR SPLICERS	EACH	1799			1799					
50900605	HANDRAIL REMOVAL	FOOT	788.5	788.5							
50901720	BICYCLE RAILING	FOOT	457	168		289					
50901750	PARAPET RAILING	FOOT	289			289					
51100300	SLOPE WALL 6 INCH	SQ YD	142			142					
51201600	FURNISHING STEEL PILES HP 12X53	FOOT	325			325					
51202305	DRIVING PILES	FOOT	325			325					

△ REVISSED 2/15/07
*SPECIALTY ITEMS

REVISIONS	
NAME	DATE

ILLINOIS DEPARTMENT OF TRANSPORTATION
SUMMARY OF QUANTITIES
SCALE: VERT. _____
 HORIZ. _____
DATE _____ DRAWN BY _____
 CHECKED BY _____

F.A.P. RTE.	SECTION	COUNTY	TOTAL SHEETS	SHEET NO.
623	•	LASALLE	126	5
STA.		TO STA.		
FED. ROAD DIST. NO.		ILLINOIS FED. AID PROJECT		
* (34)R,DM&(X-1)RS&BR				

SUMMARY OF QUANTITIES

CODE NO.	ITEM	CONSTRUCTION CODE TYPE:		1000-2A	X171-5B	X071-2A	Y007	SFTY-1A	SFTY-1B	SFTY-1B
		UNIT	TOTAL QUANTITY	ROADWAY	SN 050-0095	SN 050-0094	STORM SEWER UPSIZE	SIDEWALK REMOVAL	DETECTABLE WARNINGS	SIDEWALK
				80% FED 20% STATE	80% FED 20% STATE	80% FED 20% STATE	100% CITY	100% CITY	<u>50% STATE 50% CITY</u> ⚠	50% STATE 50% CITY
51203600	TEST PILE STEEL HP 12X53	EACH	1			1				
51205200	TEMPORARY SHEET PILING	SQ FT	3274	2743		531				
51500100	NAME PLATES	EACH	1			1				
52000110	PREFORMED JOINT STRIP SEAL	FOOT	38			38				
52000325	NEOPRENE EXPANSION JOINT 2 1/2"	FOOT	38			38				
52100010	ELASTOMERIC BEARING ASSEMBLY, TYPE I	EACH	6			6				
52100020	ELASTOMERIC BEARING ASSEMBLY, TYPE II	EACH	6			6				
52100520	ANCHOR BOLTS, 1"	EACH	60			60				
54213663	PRECAST REINFORCED CONCRETE FLARED END SECTIONS 18"	EACH	1	1						
54213699	PRECAST REINFORCED CONCRETE FLARED END SECTIONS 54"	EACH	1	1						
550A0050	STORM SEWERS, CLASS A, TYPE 1 12"	FOOT	254	254						
550A0070	STORM SEWERS, CLASS A, TYPE 1 15"	FOOT	13	13						
550A0090	STORM SEWERS, CLASS A, TYPE 1 18"	FOOT	47	47						
550A0110	STORM SEWERS, CLASS A, TYPE 1 21"	FOOT	52	52						
550A0120	STORM SEWERS, CLASS A, TYPE 1 24"	FOOT	9	9						
550A0190	STORM SEWERS, CLASS A, TYPE 1 48"	FOOT	254	190-169		62-85				⚠
550A0200	STORM SEWERS, CLASS A, TYPE 1 54"	FOOT	360	241-221		49-139				⚠
550A0320	STORM SEWERS, CLASS A, TYPE 2 8"	FOOT	19	19						
550A0340	STORM SEWERS, CLASS A, TYPE 2 12"	FOOT	39	39						
550A0380	STORM SEWERS, CLASS A, TYPE 2 18"	FOOT	17	17						
550A0430	STORM SEWERS, CLASS A, TYPE 2 30"	FOOT	44	44						
550A0480	STORM SEWERS, CLASS A, TYPE 2 48"	FOOT	196	147-134		49-62				⚠
550A0490	STORM SEWERS, CLASS A, TYPE 2 54"	FOOT	340	220-212		49-128				⚠
550A2630	STORM SEWERS, RUBBER GASKET, CLASS A, TYPE 2 54"	FOOT	24	16-17		7				⚠
55100300	STORM SEWER REMOVAL 8"	FOOT	194	194						
55100500	STORM SEWER REMOVAL 12"	FOOT	613	613						
55100900	STORM SEWER REMOVAL 18"	FOOT	48	48						
* 56106300	ADJUSTING WATER MAIN 6"	FOOT	10	10						
56109210	WATER VALVES TO BE ADJUSTED	EACH	5	5						
* 56300300	ADJUSTING WATER SERVICE LINES	FOOT	165	165						
* 56400300	FIRE HYDRANTS TO BE ADJUSTED	EACH	1	1						
58700300	CONCRETE SEALER	SQ FT	24			24				
59000200	EPOXY CRACK INJECTION	FOOT	28			28				
59100100	GEOCOMPOSITE WALL DRAIN	SQ YD	66			66				
60109580	PIPE UNDERDRAINS FOR STRUCTURES 4"	FOOT	80			80				
60221200	MANHOLES, TYPE A, 5'-DIAMETER, TYPE 3 FRAME AND GRATE	EACH	1	1						
60222240	MANHOLES, TYPE A, 5'-DIAMETER, TYPE 24 FRAME AND GRATE	EACH	1	1						
60223700	MANHOLES, TYPE A, 6'-DIAMETER, TYPE 1 FRAME, OPEN LID	EACH	1	1						

⚠ REVIS 21/10/07
* SPECIALTY ITEMS

REVISIONS		DATE
NAME	DATE	

ILLINOIS DEPARTMENT OF TRANSPORTATION

SUMMARY OF QUANTITIES

SCALE: VERT. DRAWN BY

 HORIZ. CHECKED BY

12/18/2006 10:56:43 AM
C:\p\j\rs\66617\01\table111a.dgn

F.A.P. RTE.	SECTION	COUNTY	TOTAL SHEETS	SHEET NO.
623	*	LASALLE	126	6
STA.		TO STA.		
FED. ROAD DIST. NO.	ILLINOIS	FED. AID PROJECT		
* (34)R,DM&X-1RS&BR				

SUMMARY OF QUANTITIES

CODE NO.	ITEM	UNIT	TOTAL QUANTITY	CONSTRUCTION CODE TYPE:							
				I000-2A	X171-5B	X071-2A	Y007	SFTY-1A	SFTY-1B	SFTY-1B	
				ROADWAY	SN 050-0095	SN 050-0094	STORM SEWER UPSIZE	SIDEWALK REMOVAL	DETECTABLE WARNINGS	SIDEWALK	
				80% FED 20% STATE	80% FED 20% STATE	80% FED 20% STATE	100% CITY	100% CITY	50% STATE 50% CITY	50% STATE 50% CITY	
60223800	MANHOLES, TYPE A, 6"-DIAMETER, TYPE 1 FRAME, CLOSED LID	EACH	11	11							
60223810	MANHOLES, TYPE A, 6"-DIAMETER, TYPE 3 FRAME AND GRATE	EACH	1	1							
60224445	MANHOLES, TYPE A, 7"-DIAMETER, TYPE 1 FRAME, OPEN LID	EACH	1	1							
60224446	MANHOLES, TYPE A, 7"-DIAMETER, TYPE 1 FRAME, CLOSED LID	EACH	2	2							
60224447	MANHOLES, TYPE A, 7"-DIAMETER, TYPE 3 FRAME AND GRATE	EACH	1	1							
60235700	INLETS, TYPE A, TYPE 3 FRAME AND GRATE	EACH	7	7							
60240220	INLETS, TYPE B, TYPE 3 FRAME AND GRATE	EACH	4	4							
60240328	INLETS, TYPE B, TYPE 24 FRAME AND GRATE	EACH	2	2							
60255500	MANHOLES TO BE ADJUSTED	EACH	15	15							
60500040	REMOVING MANHOLES	EACH	1	1							
60500050	REMOVING CATCH BASINS	EACH	12	12							
60500060	REMOVING INLETS	EACH	2	2							
60600605	CONCRETE CURB, TYPE B	FOOT	20	20							
60601005	CONCRETE CURB, TYPE B (SPECIAL)	FOOT	42	42							
60603800	COMBINATION CONCRETE CURB AND GUTTER, TYPE B-6.12	FOOT	12	12							
60605000	COMBINATION CONCRETE CURB AND GUTTER, TYPE B-6.24	FOOT	3042	3042							
* 63000000	STEEL PLATE BEAM GUARD RAIL, TYPE A	FOOT	250	250							
* 63100085	TRAFFIC BARRIER TERMINAL, TYPE 6	EACH	4	4							
* 63100167	TRAFFIC BARRIER TERMINAL TYPE 1, SPECIAL (TANGENT)	EACH	2	2							
* 63100169	TRAFFIC BARRIER TERMINAL TYPE 1, SPECIAL (FLARED)	EACH	2	2							
63200310	GUARDRAIL REMOVAL	FOOT	756	756							
67000400	ENGINEER'S FIELD OFFICE, TYPE A	CAL MO	8	8							
67100100	MOBILIZATION	L SUM	1	0.8			0.2				
70100460	TRAFFIC CONTROL AND PROTECTION, STANDARD 701306	L SUM	1	1							
70101205	TRAFFIC CONTROL AND PROTECTION, STANDARD 701321 (SPECIAL)	EACH	1	1							
70101800	TRAFFIC CONTROL AND PROTECTION (SPECIAL)	L SUM	1	1							
70102550	TRAFFIC CONTROL AND PROTECTION FOR TEMPORARY DETOUR	EACH	1	1							
70102620	TRAFFIC CONTROL AND PROTECTION, STANDARD 701501	L SUM	1	1							
70102640	TRAFFIC CONTROL AND PROTECTION, STANDARD 701801	L SUM	1	1							
70103815	TRAFFIC CONTROL SURVEILLANCE	CAL DA	75	75							
* 70106500	TEMPORARY BRIDGE TRAFFIC SIGNALS	EACH	1	1							
70300100	SHORT-TERM PAVEMENT MARKING	FOOT	479	479							
70300210	TEMPORARY PAVEMENT MARKING - LETTERS AND SYMBOLS	SO FT	31.2	31.2							
70300220	TEMPORARY PAVEMENT MARKING LINE 4"	FOOT	4702	4702							
70300260	TEMPORARY PAVEMENT MARKING LINE 12"	FOOT	106	106							
70300520	PAVEMENT MARKING TAPE, TYPE III 4"	FOOT	972	972							
70300570	PAVEMENT MARKING TAPE, TYPE III 24"	FOOT	79	79							
70301000	WORK ZONE PAVEMENT MARKING REMOVAL	SO FT	2,275	2,275							

50% STATE
50% CITY

REVISIED 2/15/07
*SPECIALTY ITEMS

REVISIONS	
NAME	DATE

ILLINOIS DEPARTMENT OF TRANSPORTATION
SUMMARY OF QUANTITIES
SCALE: VERT. HORIZ.
DATE
DRAWN BY
CHECKED BY

F.A.P. RTE.	SECTION	COUNTY	TOTAL SHEETS	SHEET NO.
623	*	LASALLE	126	7
STA.		TO STA.		
FED. ROAD DIST. NO.		ILLINOIS FED. AID PROJECT		

* (34)R,DM&X-1RS&BR

SUMMARY OF QUANTITIES

CODE NO.	ITEM	UNIT	TOTAL QUANTITY	CONSTRUCTION CODE TYPE:							
				1000-2A	X171-5B	X071-2A	Y007	SFTY-1A	SFTY-1B	SFTY-1B	
				ROADWAY	SN 050-0095	SN 050-0094	STORM SEWER UPSIZE	SIDEWALK REMOVAL	DETECTABLE WARNINGS	SIDEWALK	
				80% FED 20% STATE	80% FED 20% STATE	80% FED 20% STATE	100% CITY	100% CITY	50% STATE 50% CITY	50% STATE 50% CITY	
70400100	TEMPORARY CONCRETE BARRIER	FOOT	1,543	1,543							
70400200	RELOCATE TEMPORARY CONCRETE BARRIER	FOOT	1,543	1,543							
* 78000100	THERMOPLASTIC PAVEMENT MARKING - LETTERS AND SYMBOLS	SQ FT	31.2	31.2							
* 78000200	THERMOPLASTIC PAVEMENT MARKING - LINE 4"	FOOT	3960	3960							
* 78000400	THERMOPLASTIC PAVEMENT MARKING - LINE 6"	FOOT	584	584							
* 78000500	THERMOPLASTIC PAVEMENT MARKING - LINE 8"	FOOT	158	158							
* 78000600	THERMOPLASTIC PAVEMENT MARKING - LINE 12"	FOOT	106	106							
* 78000650	THERMOPLASTIC PAVEMENT MARKING - LINE 24"	FOOT	96	96							
* 78005110	EPOXY PAVEMENT MARKING - LINE 4"	FOOT	1408	1408							
* 78100100	RAISED REFLECTIVE PAVEMENT MARKER	EACH	66	66							
* 78100105	RAISED REFLECTIVE PAVEMENT MARKER (BRIDGE)	EACH	9	9							
* 78200405	GUARDRAIL MARKERS	EACH	7	7							
* 78200500	BARRIER WALL MARKERS	EACH	8	8							
* 78201000	TERMINAL MARKER - DIRECT APPLIED	EACH	4	4							
78300100	PAVEMENT MARKING REMOVAL	SQ FT	284	284							
* X0322033	STORM SEWER (WATER MAIN REQUIREMENTS) 12 INCH	FOOT	41	41							
* X0322642	STORM SEWER (WATER MAIN REQUIREMENTS) 54 INCH	FOOT	138	138							
X0323830	DRAINAGE SCUPPERS, DS-11 AND PAINTING	EACH	2								
X5067501	BRIDGE CLEANING WARRANTY NUMBER 1	L SUM	1								
X6020074	INLETS, TYPE A, TYPE 3V FRAME AND GRATE	EACH	2	2							
X6020075	INLETS, TYPE B, TYPE 3V FRAME AND GRATE	EACH	2	2							
XX001244	RETAINING WALL	FOOT	12.5	12.5							
XX001537	PERMANENT ROAD CLOSURE	EACH	1	1							
XX002905	CONFLICT MANHOLE, 6' DIAMETER, TYPE 1 FRAME, CLOSED LID	EACH	1	1							
XX005758	TEMPORARY PAVEMENT	TON	56	56							
XX127500	STEP REMOVAL	EACH	3	3							
XX172700	MANHOLES, TYPE A, 8'-DIAMETER, TYPE 1 FRAME, CLOSED LID	EACH	2	2							
Z0012450	CONCRETE STEPS	CU YD	1.1	1.1							
Z0022800	FENCE REMOVAL	FOOT	34	34							
Z0030250	IMPACT ATTENUATORS, TEMPORARY, (NON-REDIRECTIVE), TEST LEVEL 3	EACH	6	6							
Z0030350	IMPACT ATTENUATORS, RELOCATE, (NON-REDIRECTIVE), TEST LEVEL 3	EACH	6	6							
Z0056900	SANITARY SEWER 8"	FOOT	16	16							
Z0065730	SLOPE WALL SLURRY PUMPING	CU YD	0.8		0.8						
Z0073200	TEMPORARY SHORING AND CRIBBING	EACH	2		2						
X0325678	MANHOLES, TYPE A, 7'-DIAMETER, TYPE 4 FRAME AND GRATE	EACH	1	1							
X0325679	UTILITY ATTACHMENT	L SUM	1								
X0325680	HOT-MIX ASPHALT SIDEWALK	SQ FT	136	136							
Z0076600	TRAINEES	HOUR	1,000	1,000							

50% STATE
50% CITY

30.5-86 45.5-52

△ REVISED 2/15/07
 ◎ 100% CITY PARTICIPATION Y060
 * SPECIALTY ITEMS

REVISIONS	
NAME	DATE

ILLINOIS DEPARTMENT OF TRANSPORTATION
 SUMMARY OF QUANTITIES
 SCALE: VERT. _____
 DATE _____ HORIZ. _____
 DRAWN BY _____
 CHECKED BY _____

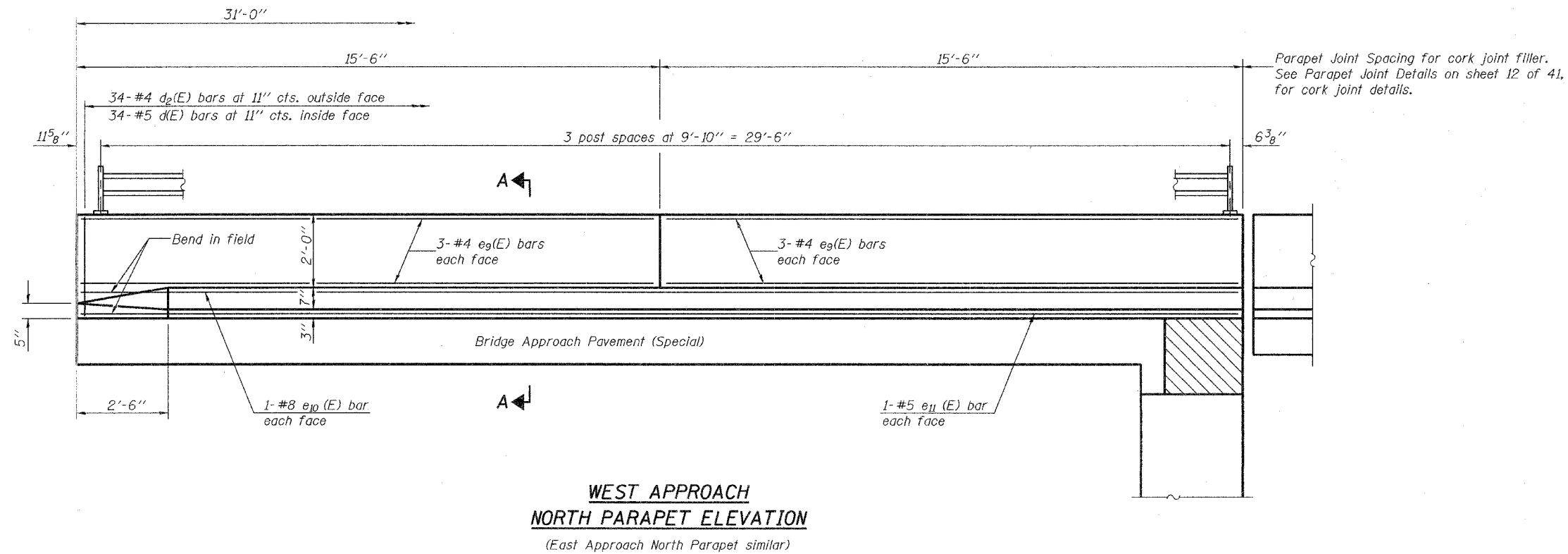
12/18/2006 10:57:01 AM c:\p\projects\660170\cbrat18.dgn

■ SFTY-3N ○ Y080

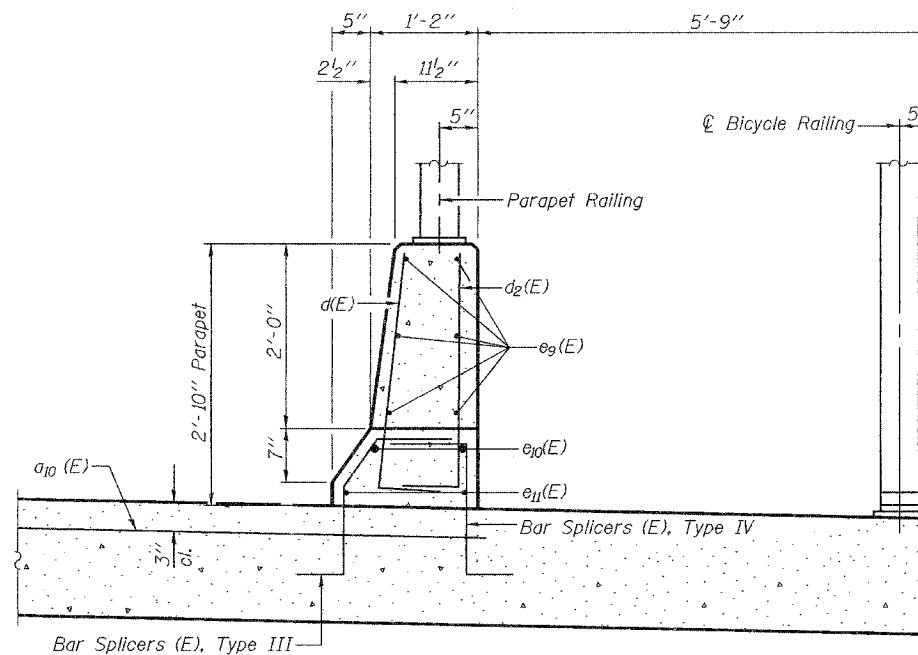
STATE OF ILLINOIS
DEPARTMENT OF TRANSPORTATION

ROUTE NO.	SECTION	COUNTY	TOTAL SHEETS	SHEET NO.	SHEET NO. 9
FAP 623	X-IBR	LaSalle	126	64	41 SHEETS
FED. ROAD DIST. NO. 7	ILLINOIS	FED. AID PROJECT-			

Contract #66617



**WEST APPROACH
NORTH PARAPET ELEVATION**
(East Approach North Parapet similar)



SECTION A-A
(Looking West)

Notes:
For railing details, see sheets 17 and 18 of 41.
For bar splicer details, see sheet 38 of 41.

⚠ COST OF PARAPET RAILING SHOWN ON APPROACH PAVEMENTS IS INCLUDED WITH BRIDGE APPROACH PAVEMENT (SPECIAL). SEE ROADWAY PLANS.

**BRIDGE APPROACH PAVEMENT
(SPECIAL) PAVEMENT DETAILS**
F.A.P. ROUTE 623 - SECTION X-IBR
LaSALLE COUNTY
STATION 1036+60.72
STRUCTURE NO. 050-0094

⚠ REVISED 2/15/07

DESIGNED	F.T.
CHECKED	S.M.R.
DRAWN	BECKY M. LEACH
CHECKED	F.T./S.M.R.

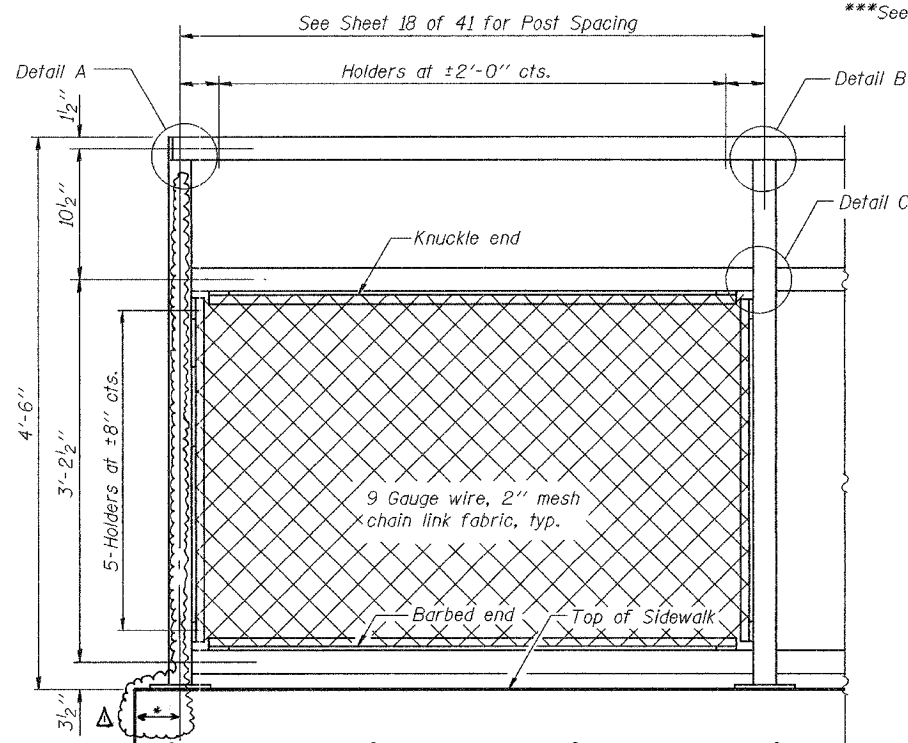
February 1, 2007
EXAMINED *Thomas J. Donagalli*
PRINCIPAL OF CIVIL DESIGN
PASSED *Ralph E. Anderson*
ENGINEER OF BRIDGES AND STRUCTURES

STATE OF ILLINOIS
DEPARTMENT OF TRANSPORTATION

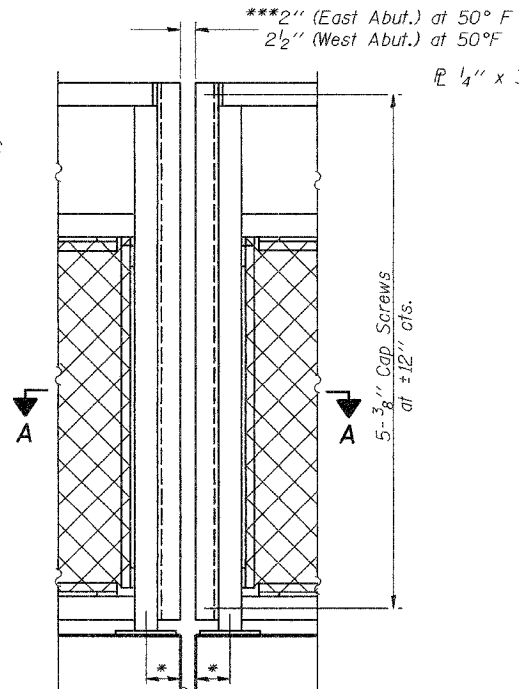
ROUTE NO.	SECTION	COUNTY	POST MILES	SHEET NO.	SHEET NO. 17
FAP 623	X-IBR	LaSalle	126	72	41 SHEETS
FED. ROAD DIST. NO. 7	ILLINOIS		FED. AID PROJECT-		

Contract #66617

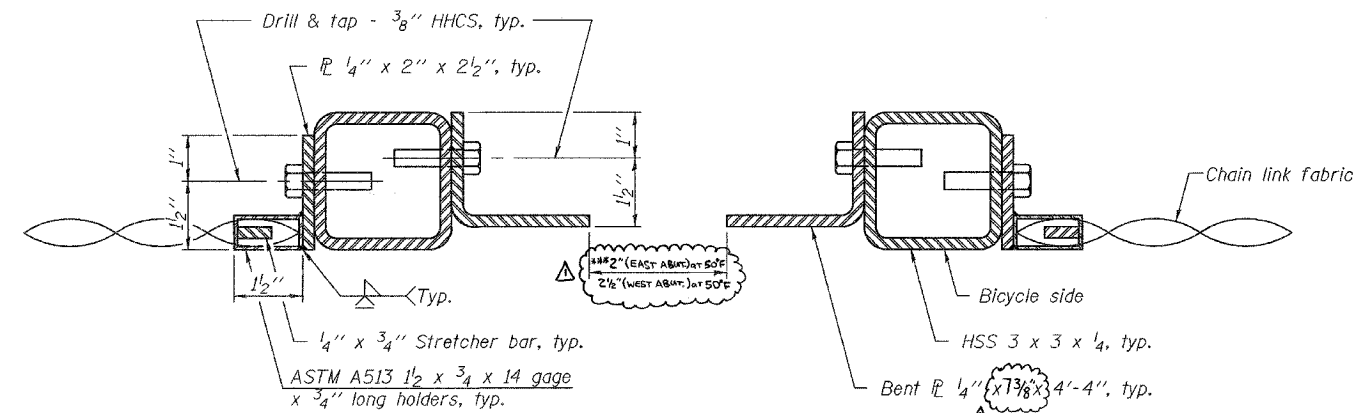
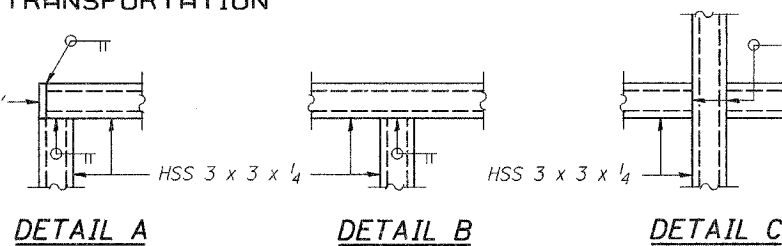
Note:
All steel rail elements shall be galvanized according to Article 509.05 of the Standard Specifications.



BICYCLE RAILING



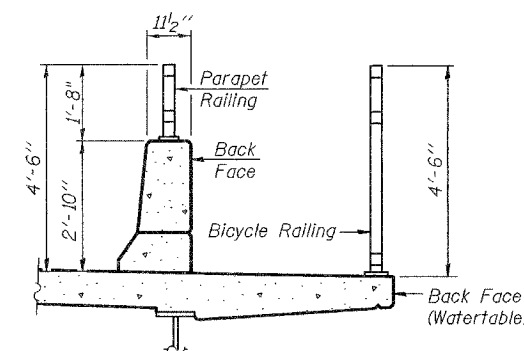
BICYCLE RAILING



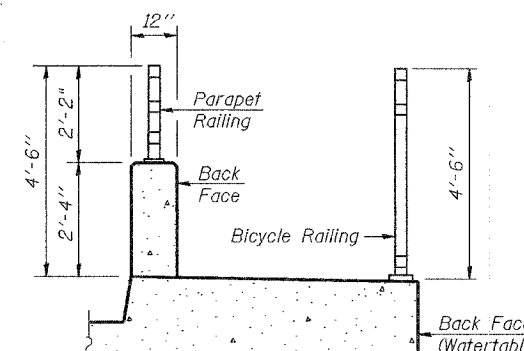
SECTION A-A

*See sheet 18 of 41.

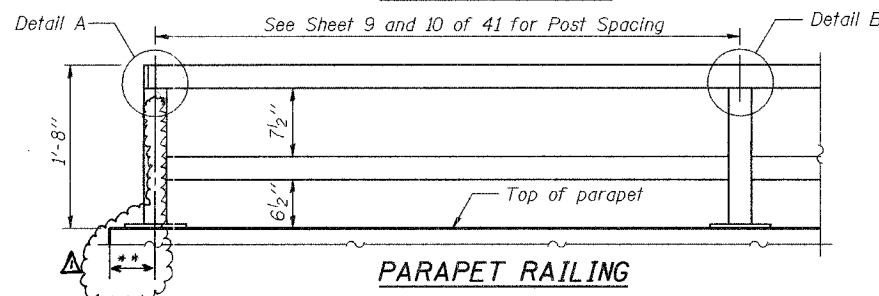
**See sheet 9 of 41 for spacing on approach pavement. See sheet 10 of 41 for spacing on bridge.



SECTION THRU DECK

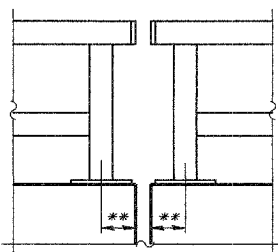


SECTION THRU SIDEWALK



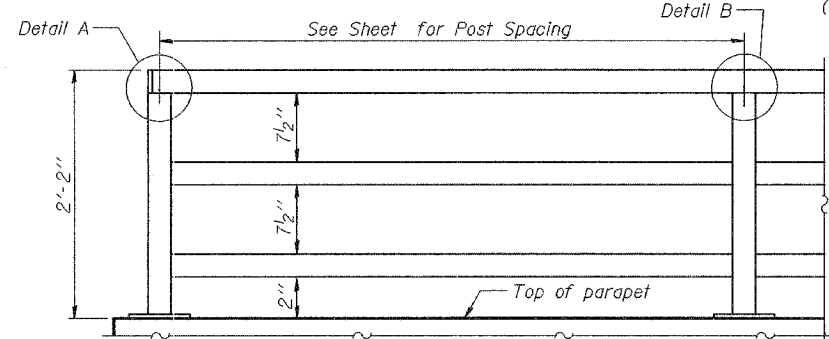
**PARAPET RAILING
ELEVATION**

(Inside Face of Two Element Rail)



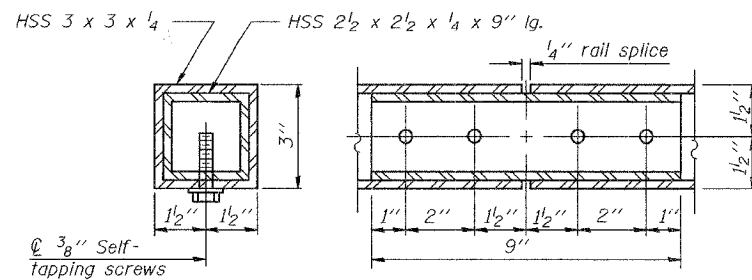
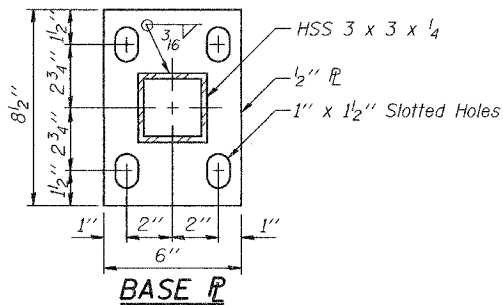
**PARAPET RAILING
ELEVATION AT EXPANSION JOINT**

(Two Element Rail Shown - Three Element Rail Similar)

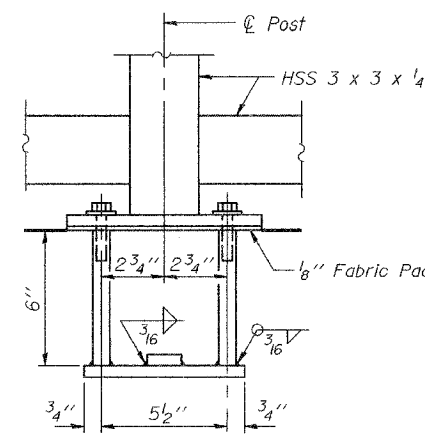


**PARAPET RAILING
ELEVATION**

(Inside Face of Three Element Rail)

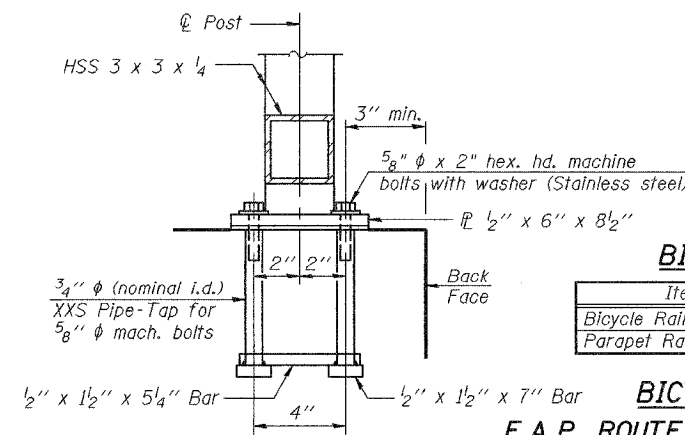


RAIL SPLICE



ANCHOR BOLT DETAILS

In lieu of the cast-in-place anchor device shown, the Contractor has the option of drilling and setting 5/8" φ anchor rods according to Article 509.06 of the Standard Specifications. Embedment shall be according to the manufacturer's specifications.



BILL OF MATERIAL

Item	Unit	Quantity
Bicycle Railing	Foot	289
Parapet Railing	Foot	289

BICYCLE RAILING
F.A.P. ROUTE 623 - SECTION X-IBR
LaSALLE COUNTY
STATION 1036+60.72
STRUCTURE NO. 050-0094

REVISED 2/15/07

DESIGNED	F.T.
CHECKED	S.M.R.
DRAWN	BECKY M. LEACH
CHECKED	F.T./S.M.R.

EXAMINED	February 1, 2007
PASSED	

Thomas J. Domagalaki
ENGINEER OF BRIDGE DESIGN

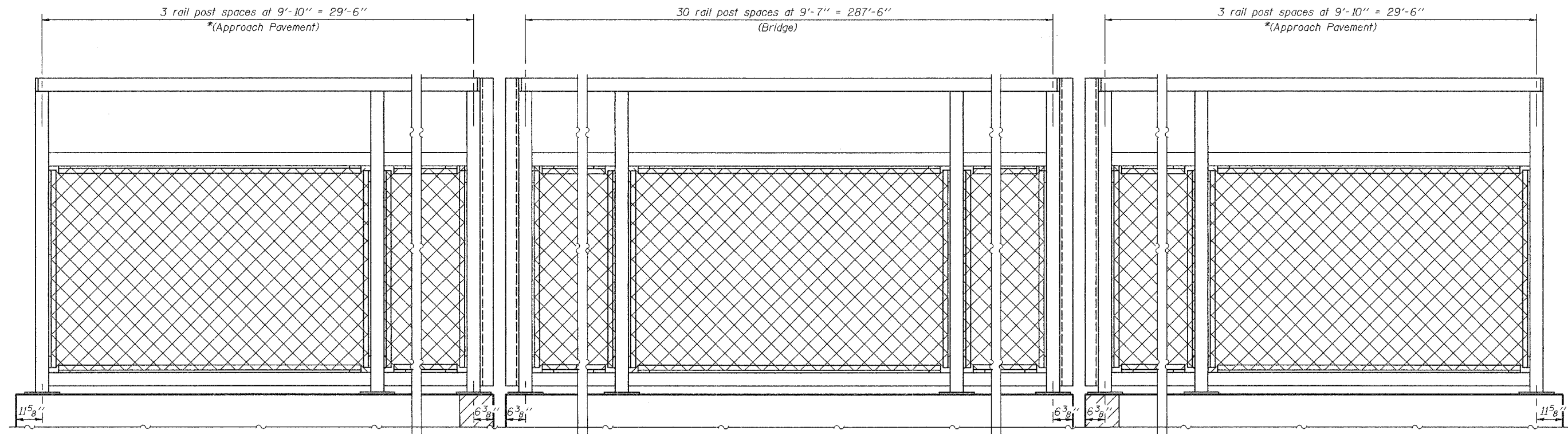
Ralph E. Anderson
ENGINEER OF BRIDGES AND STRUCTURES

R-29 11-1-06 (10'-0" Maximum Post Spacing)

STATE OF ILLINOIS
DEPARTMENT OF TRANSPORTATION

ROUTE NO.	SECTION	COUNTY	TOTAL SHEETS	SHEET NO.	SHEET NO. 18
FAP 623	X-1BR	LaSalle	126	73	41 SHEETS
FED. ROAD DIST. NO. 7	ILLINOIS	FED. AID PROJECT			

Contract #66617



△ * COST OF Bicycle Railing shown on approach pavements IS included with Bridge Approach Pavement (Special). See Roadway Plans.

DESIGNED	F.T.
CHECKED	S.M.R.
DRAWN	BECKY M. LEACH
CHECKED	F.T./S.M.R.

February 1, 2007

EXAMINED *Thomas J. Domagalaki*
ENGINEER OF BRIDGE DESIGN

PASSED *Ralph E. Anderson*
ENGINEER OF BRIDGES AND STRUCTURES

BICYCLE RAILING DETAILS
F.A.P. ROUTE 623 - SECTION X-1BR
LaSALLE COUNTY
STATION 1036+60.72
STRUCTURE NO. 050-0094

△ REVISED 2/15/07