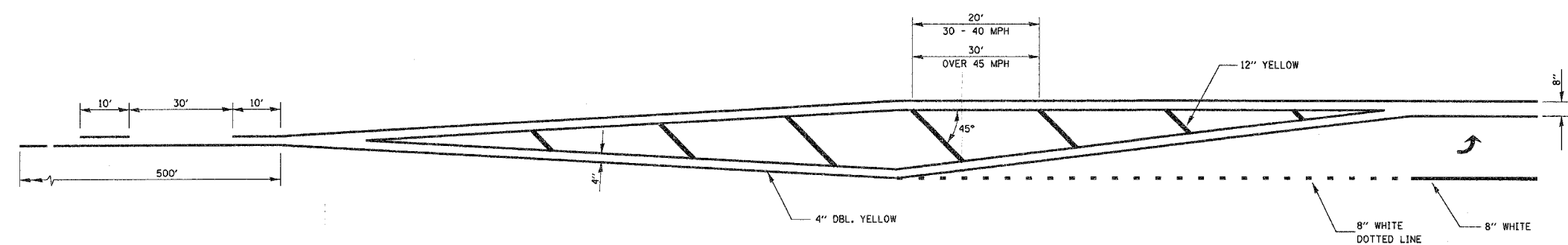
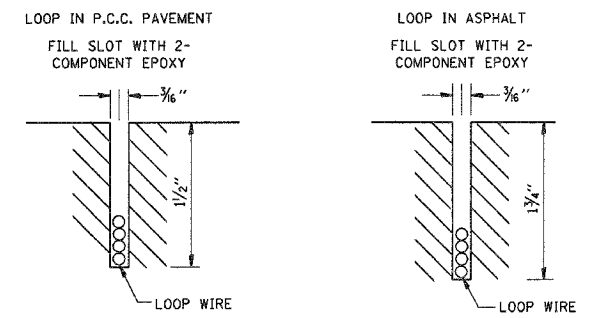


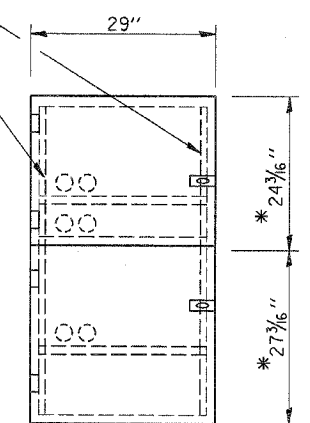
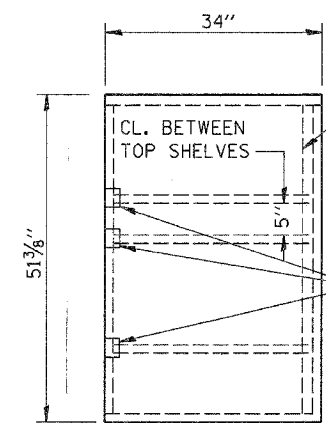
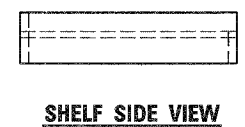
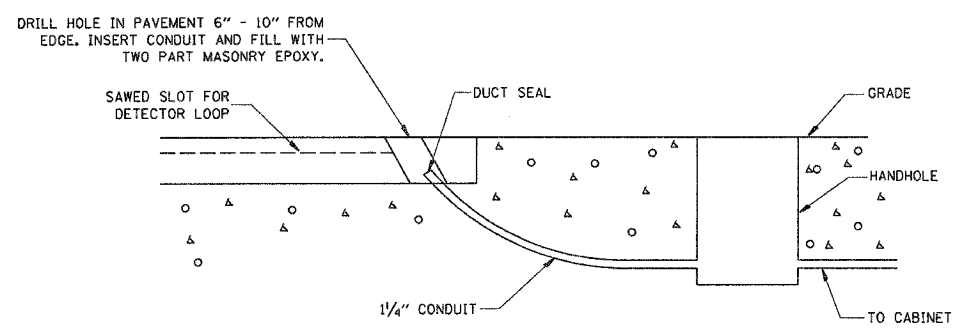
F.A.P. RTE.	SECTION	COUNTY	TOTAL SHEETS	SHEET NO.
698	*	BUREAU	22	20
STA.		TO STA.		
FED. ROAD DIST. NO.		ILLINOIS FED. AID PROJECT		
* (102)RS-4 & (TX-1,17)RS-2				



**DETECTOR LOOP INSTALLATION**

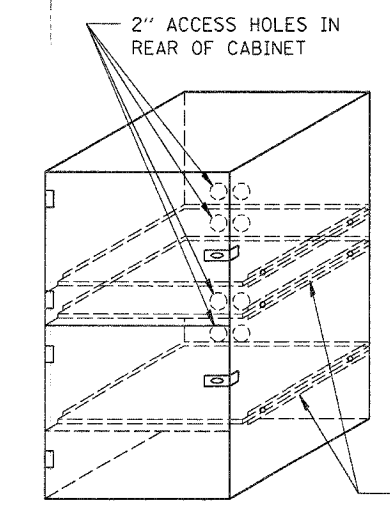


**DETECTOR LOOP LEAD-IN DETAIL**



**SIDE VIEW**

**FRONT VIEW**



1/2" X 1/2" FLAT STOCK WELD TO FORM DOOR FRAME AND ALSO AROUND PERIMETER OF EACH DOOR.

WELD BACKSTOP TO MAINTAIN 2" CLEARANCE BETWEEN SHELF AND CABINET

\*ALLOWS FOR 1/8" CLEARANCE AT TOP AND BOTTOM OF CABINET AND BETWEEN DOORS.

- NOTES:
1. USE 16 GAUGE STEEL FOR CABINET.
  2. THE TOP SHELF SHALL SLIDE IN OR OUT WITH THE TOP DOOR OPEN.
  3. ALL HINGES AND HASPS WILL BE WELDED TO THE CABINET.
  4. ALL EDGES SHALL BE GROUND SMOOTH.
  5. TWO (2" DIA.) ACCESS HOLES WILL BE REQUIRED FOR EACH SHELF.
  6. CABINET SHALL BE PAINTED WITH TWO COATS OF FLAT PAINT.
  7. 2 EACH MATCHING KEY PADLOCKS, WITH 3 KEYS PROVIDED, MASTER MODEL 3 T OR EQUIVALENT.
  8. 4 EACH PLAIN STEEL, NON-REMOVABLE PIN, NO HOLE 4"X4" SQUARE CORNER HINGES TO BE WELDED ON.
  9. 2 EACH EXTRA HEAVY, PLAIN STEEL, FIXED STAPLE, NO HOLE, 7 1/4 " HASPS TO BE WELDED ON.

FLAT STOCK DIMENSIONS VARY DEPENDING ON TYPE OF ROLLER ASSEMBLY.

**LOCKABLE COMPUTER CABINET**

12/19/2006 10:04:25 AM c:\projects\ep01706\detail\is.dgn