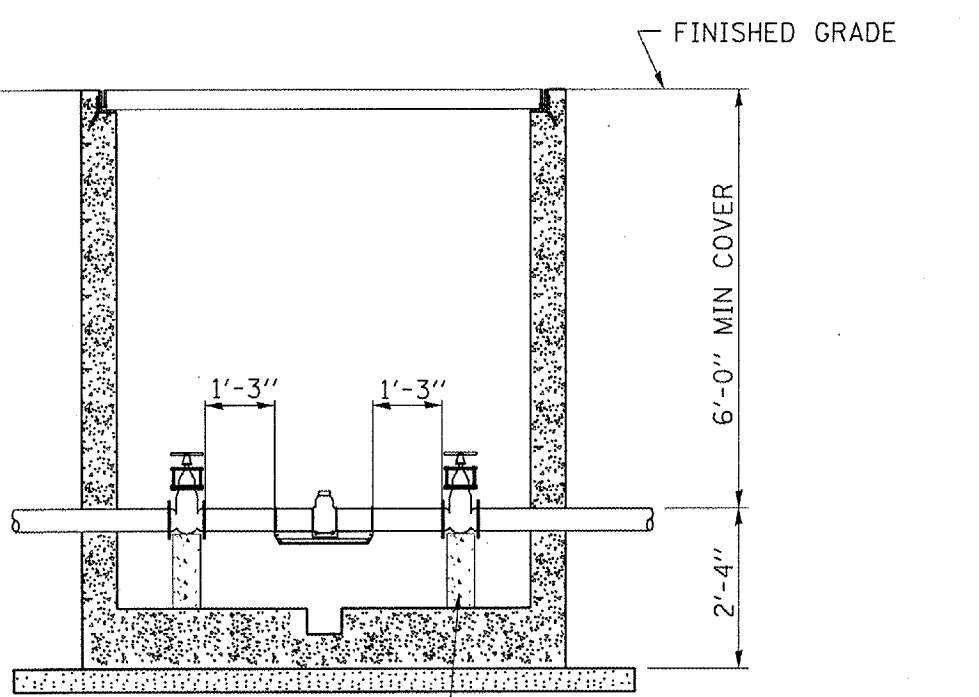
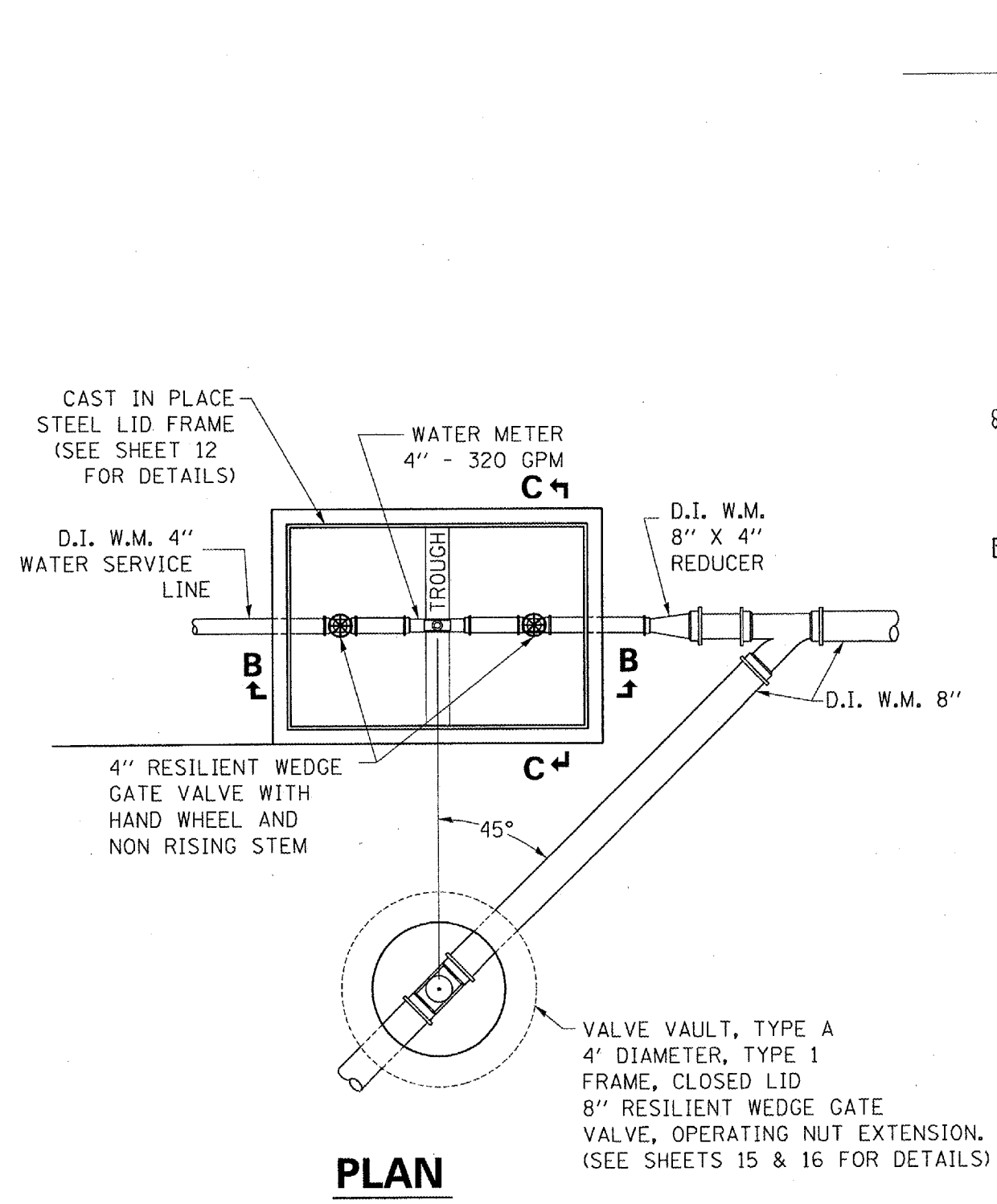
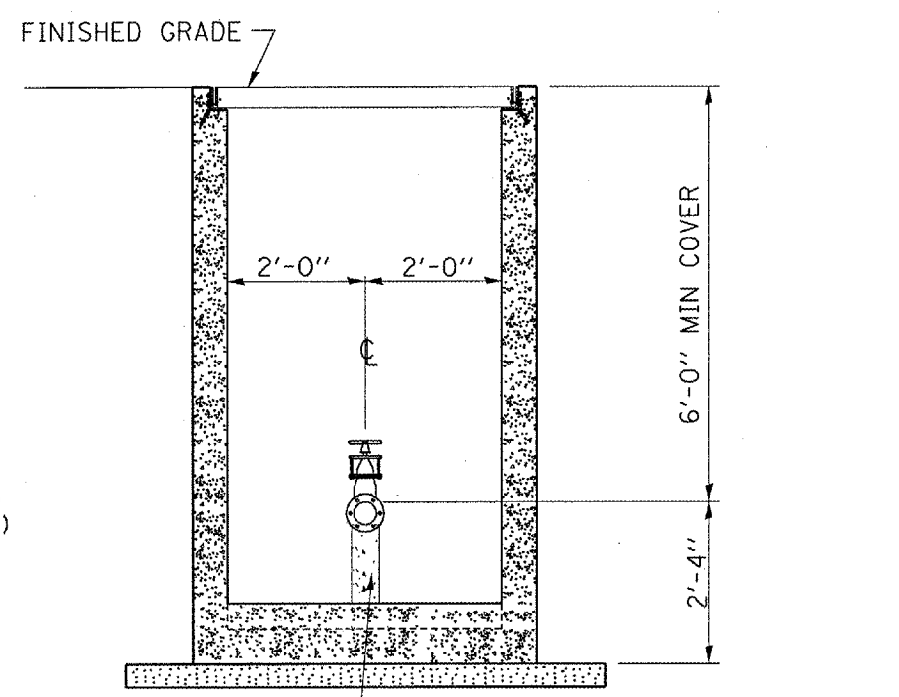


F.A.I. RTE.	SECTION	COUNTY	TOTAL SHEETS	SHEET NO.
80	(32,47-4)RA-2	GRUNDY	19	13
FED. ROAD DIST. NO.		ILLINOIS	STATE AID PROJECT	



SECTION B-B



SECTION C-C

NOTES:

- VALVE VAULTS SHALL BE PRECAST REINFORCED CONCRETE ONLY.
- ALL FITTINGS SHALL BE MECHANICAL FITTINGS WITH MEG-A-LUG RETAINER GLANDS.
- ALL VALVE VAULTS SHALL HAVE NO MORE THAN TWO ADJUSTING RINGS (WHEN REQUIRED) WITH A MINIMUM OF FOUR INCHES (4") AND A MAXIMUM OF TWELVE INCHES (12") OF ADJUSTABLE RINGS.
- RUBBER ADJUSTING RINGS ARE REQUIRED FOR ANY RINGS THAT ARE TWO INCHES (2") IN THICKNESS, OR LESS.
- ALL LIFTING HOLES, JOINTS BETWEEN PRECAST REINFORCED CONCRETE SECTIONS, GAPS BETWEEN PIPES AND STRUCTURES SHALL BE TUCKPOINTED WITH HYDRAULIC CEMENT.
- VALVE VAULTS SHALL USE A NEENAH OR EAST JORDAN IRON WORKS HEAVY DUTY FRAME AND LID WITH "WATER METER" CAST ON LID.
- VALVE OPERATING NUT SHALL BE ACCESSIBLE THROUGH THE FRAME AND LID.

DATE: 10/12/2006 C:/projects/rest area/three rivers/details.dgn

REVISIONS	
NAME	DATE

ILLINOIS DEPARTMENT OF TRANSPORTATION
METER VAULT, SPECIAL DETAILS
 F.A.I. ROUTE 80
 SECTION (32,47-4)RA-2
 GRUNDY COUNTY