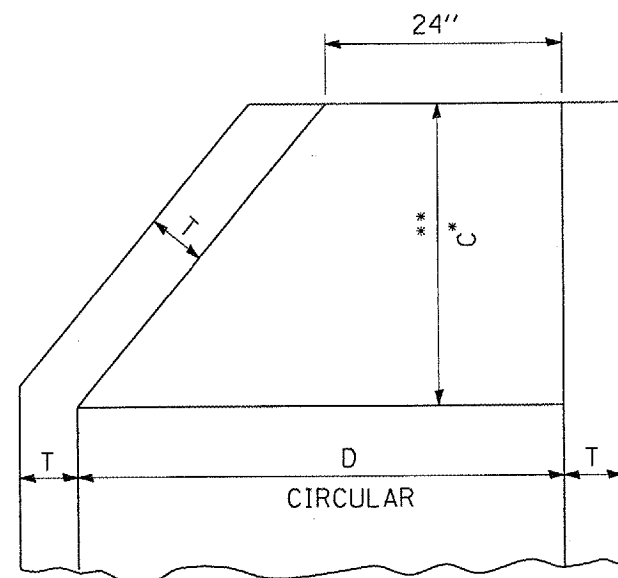
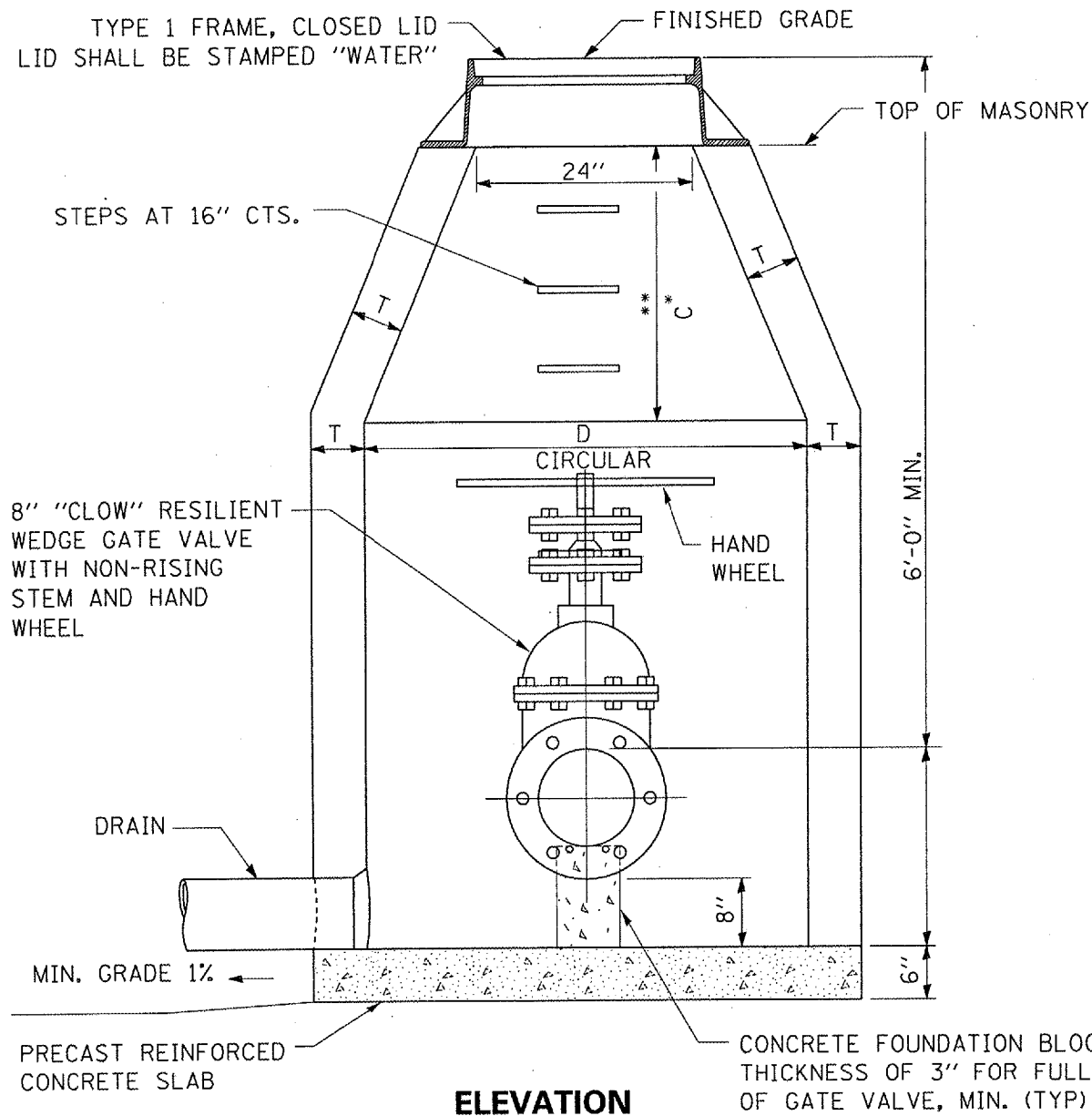


F.A.I. RTE.	SECTION	COUNTY	TOTAL SHEETS	SHEET NO.
80	(32,47-4)RA-2	GRUNDY	19	15
FED. ROAD DIST. NO. ILLINOIS		STATE AID PROJECT		

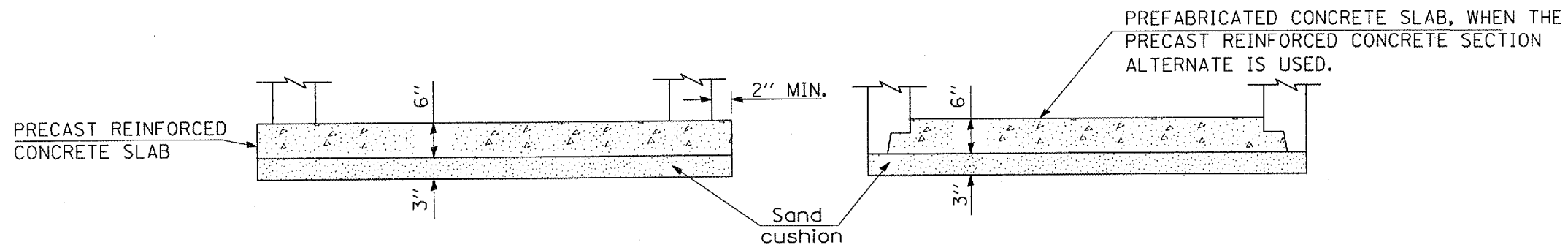


THE CONE OF THE VALVE VAULT SHALL BE CONSTRUCTED AS SHOWN ABOVE ONLY WHEN THERE IS INTERFERENCE WITH UNDERGROUND CONDITIONS AND THOSE CONDITIONS CANNOT BE ALTERED.



ELEVATION

ALTERNATE MATERIALS FOR WALLS	D	C	T (min.)
PRECAST REINFORCED CONCRETE SECTION	4'-0"	2'-6"	4"
CAST-IN-PLACE CONCRETE	4'-0"	2'-6"	6"



ALTERNATE METHODS

GENERAL NOTES

- * DIMENSION "C" FOR PRECAST REINFORCED CONCRETE SECTION MAY VARY FROM THE DIMENSION GIVEN TO PLUS 6"
- * SEE STANDARD 602601 FOR OPTIONAL PRECAST REINFORCED CONCRETE FLAT TOP SLAB.

REVISIONS	
NAME	DATE

ILLINOIS DEPARTMENT OF TRANSPORTATION
VALVE VAULT TYPE A
4' DIAMETER
 F.A.I. ROUTE 80
 SECTION (32,47-4)RA-2
 GRUNDY COUNTY

DATE: 10/12/2006
C:/projects/rest area/three rivers/details.dgn