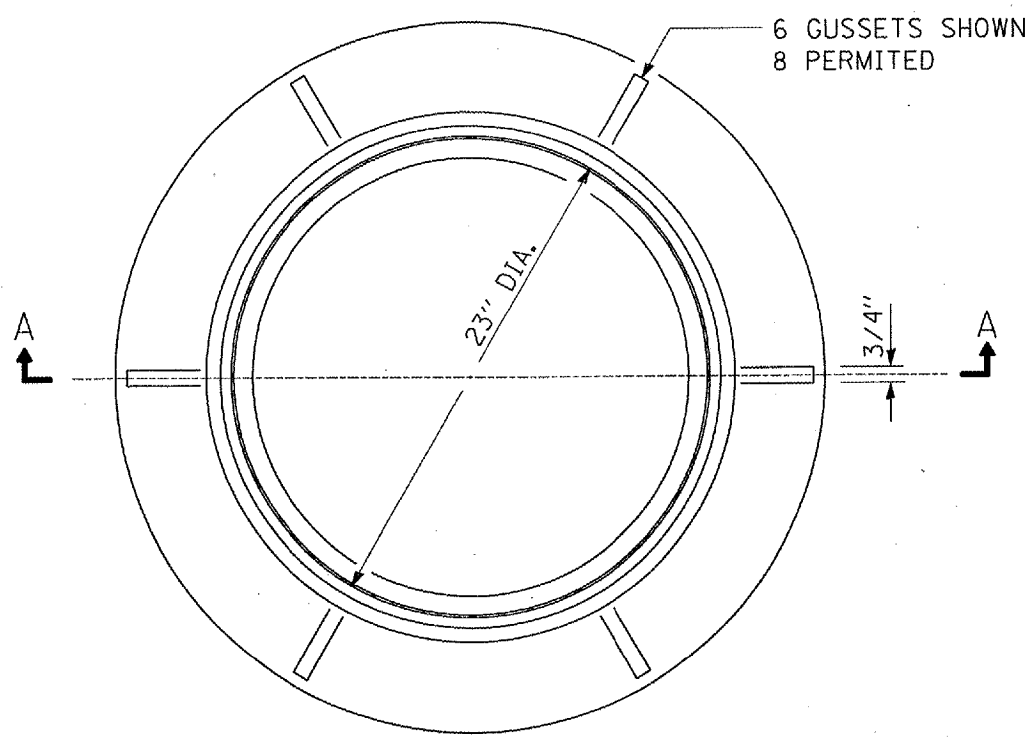
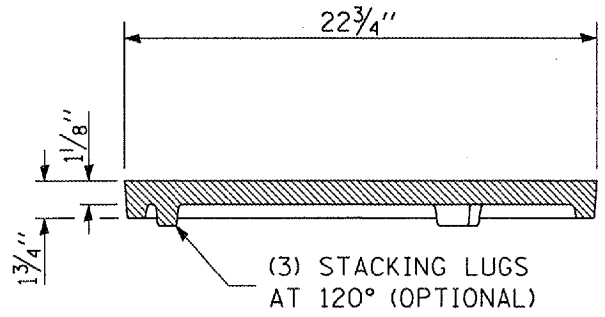
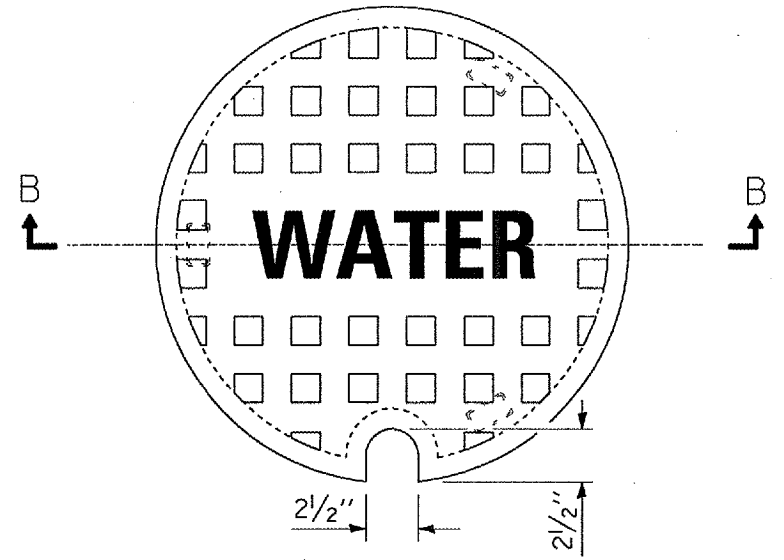


F.A.I. RTE.	SECTION	COUNTY	TOTAL SHEETS	SHEET NO.
80	(32,47-4)RA-2	GRUNDY	19	16
FED. ROAD DIST. NO. ILLINOIS		STATE AID PROJECT		

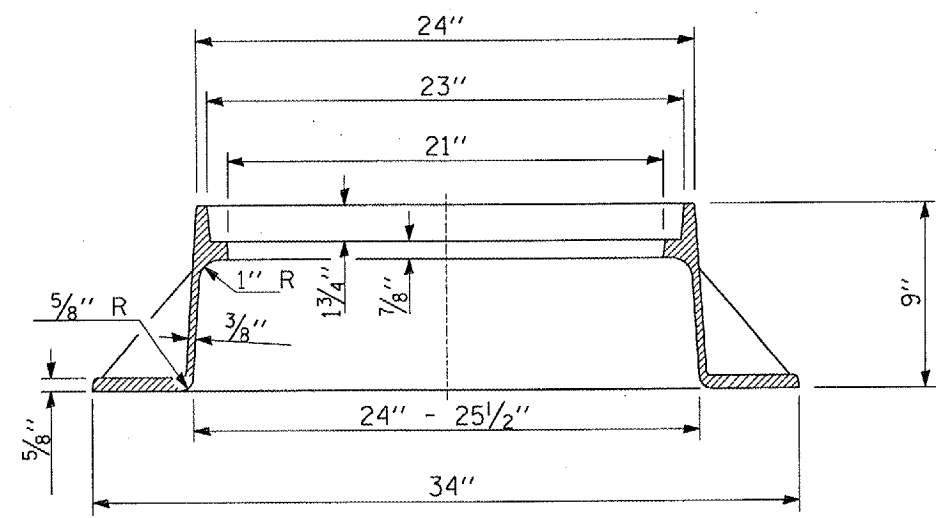


CAST FRAME



SECTION D-D

**CAST CLOSED LID
GRAY IRON LID**



**SECTION A-A
Gray Iron**

DATE: 10/12/2006
C:/projects/rest area/three rivers/details.dgn

REVISIONS	
NAME	DATE

ILLINOIS DEPARTMENT OF TRANSPORTATION
TYPE 1 FRAME, CLOSED LID
F.A.I. ROUTE 80
SECTION (32,47-4)RA-2
GRUNDY COUNTY