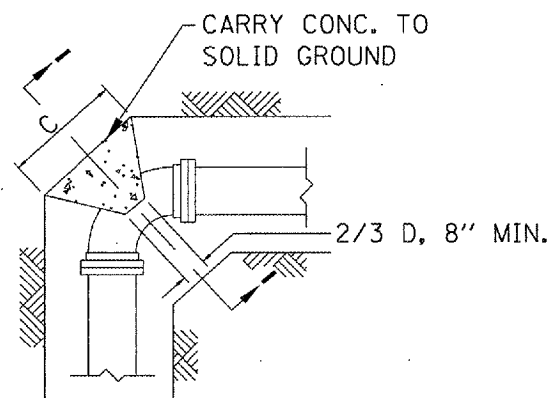
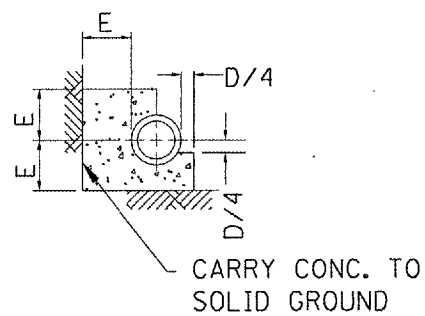


F.A.I. RTE.	SECTION	COUNTY	TOTAL SHEETS	SHEET NO.
80	(32,47-4)RA-2	GRUNDY	19	17
FED. ROAD DIST. NO.		ILLINOIS	STATE AID PROJECT	



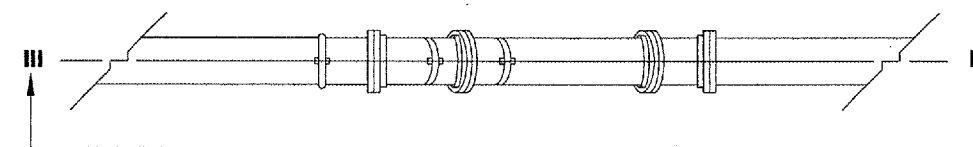
PLAN



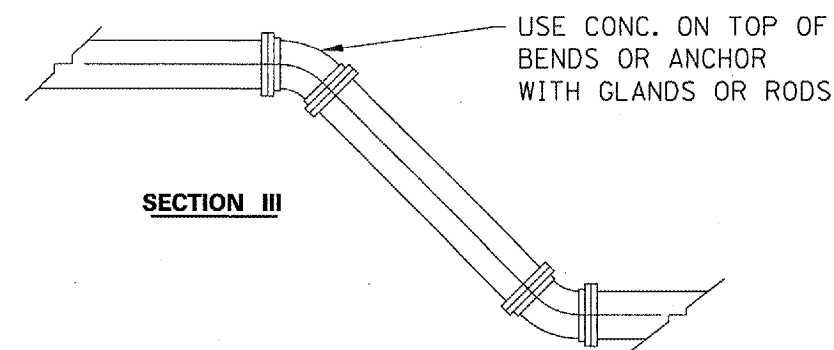
SECTION I

THRUST BLOCK FOR HORIZ. BENDS

90° OR 45° ELBOWS



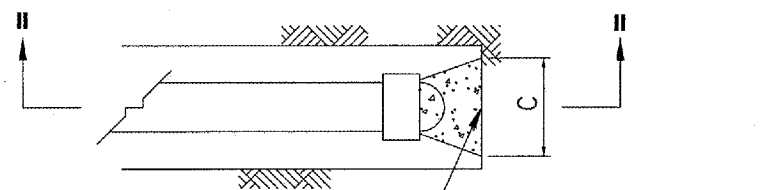
PLAN



SECTION III

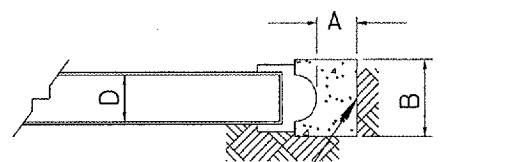
THRUST BLOCK FOR VERT. 1/8 & 1/16 BENDS

D	A	B	C	E	F	G	H	J	L
4",6"	8"	11"	1'-3"	8"	8"	8"	2'-6"	2'-6"	3'-0"
8"	9"	1'-2"	1'-8"	9"	10"	9"	3'-0"	2'-9"	4'-0"
10"	10"	1'-6"	2'-1"	10"	1'-0"	1'-0"	4'-0"	3'-0"	4'-6"
12"	1'-0"	1'-10"	2'-6"	11"	1'-3"	1'-0"	4'-6"	3'-6"	4'-9"
16"	1'-2"	2'-4"	3'-4"	1'-3"	1'-8"	1'-4"	5'-2"	4'-0"	6'-6"



PLAN

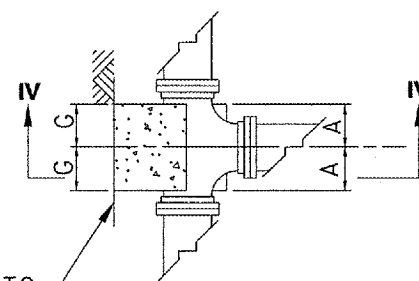
BRACE PLUG AGAINST UNDISTURBED EARTH WITH PREFORMED THRUST BLOCKS



SECTION II

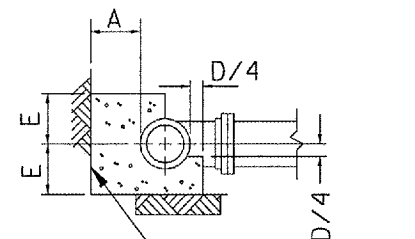
CARRY CONC. TO SOLID GROUND

THRUST BLOCK FOR CAPS OR PLUGS



PLAN

CARRY CONC. TO SOLID GROUND



SECTION IV

THRUST BLOCK FOR TEES

NOTES:

ALL BLOCKS BEAR AGAINST UNDISTURBED EARTH.

ALL BLOCKS SHALL BE 3000 PSI CONCRETE.

ALL FITTINGS (BENDS IN PIPE) SHALL BE MECHANICAL FITTINGS WITH MEG-A-LUG RETAINER GLANDS.

REVISIONS	
NAME	DATE

ILLINOIS DEPARTMENT OF TRANSPORTATION

THRUST BLOCK DETAILS
F.A.I. ROUTE 80
SECTION (32,47-4)RA-2
GRUNDY COUNTY

DATE: 10/12/2006
C:\projects\rest area\three rivers\details.dgn