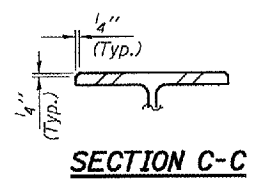
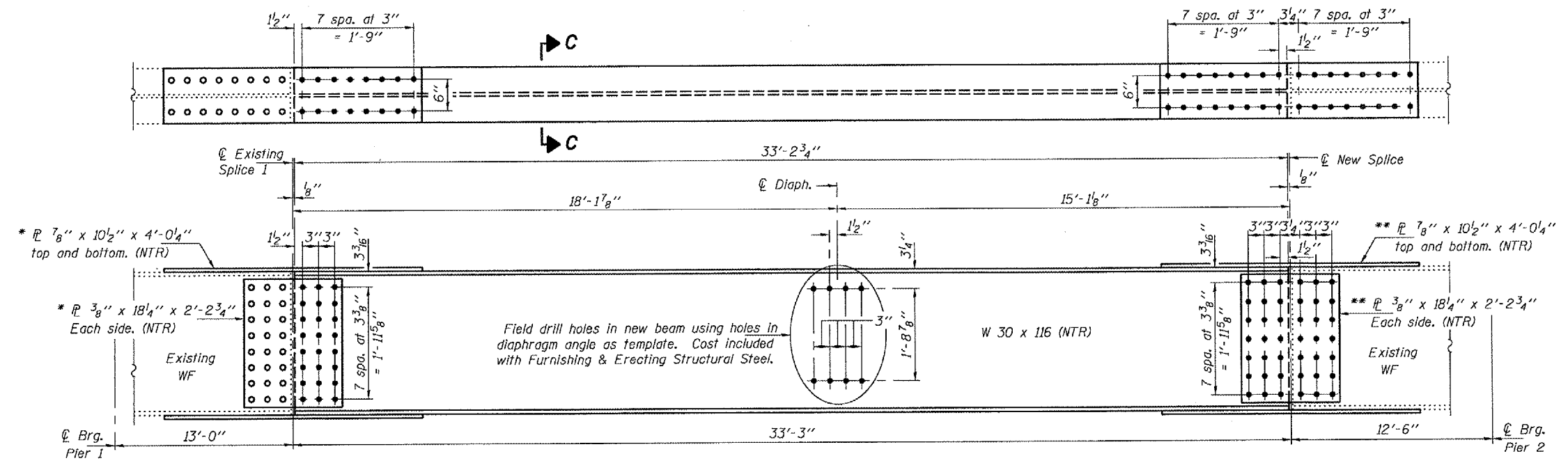


STATE OF ILLINOIS
DEPARTMENT OF TRANSPORTATION

ROUTE NO.	SECTION	COUNTY	TOTAL SHEETS	SHEET NO.
FA 29		KNOX	11	11
FED. ROAD DIST. NO. 7	ILLINOIS	FED. AID PROJECT-		

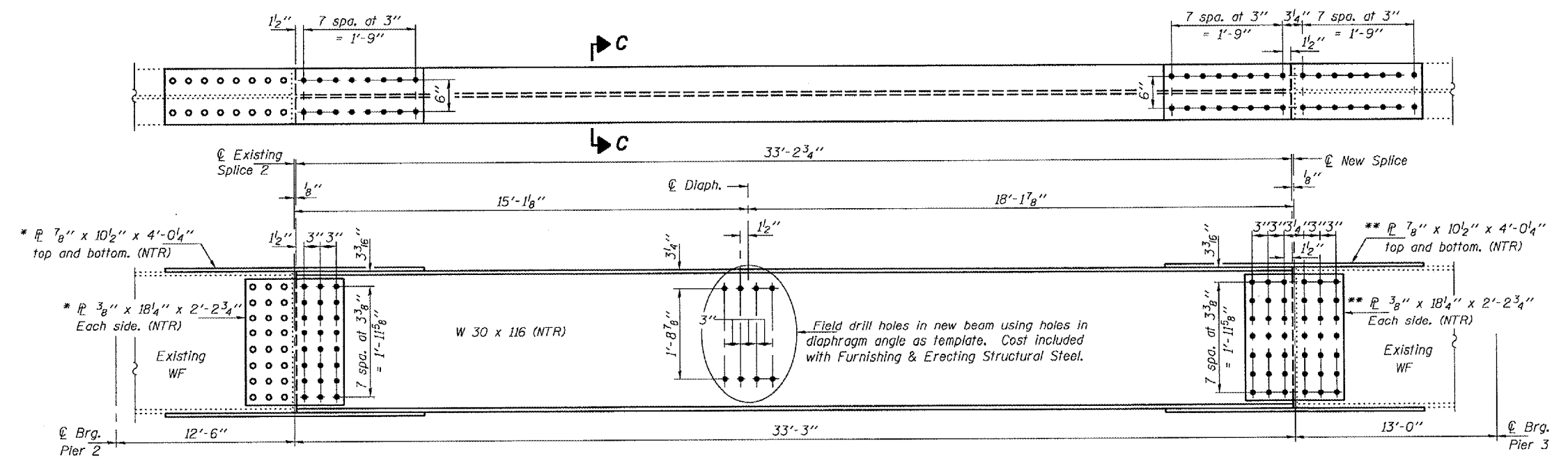
SHEET NO. 4
4 SHEETS

Contract Number:



* Use holes in existing beam as template for drilling holes in new splice plate.

** Use holes in splice plate as template for drilling holes in existing beam



DESIGNED	ATH
CHECKED	AJB
DRAWN	boliva
CHECKED	ATH AJB

JANUARY 9, 2007
 EXAMINED *Carl Perry*
 PASSED *Ralph E. Anderson*
 ENGINEER OF BRIDGES AND STRUCTURES

Notes: Natural camber of new beam shall be placed upward for fabrication.
 Existing bolts shall not be reused.
 The cost of field drilling required for installation of the steel members is included with Furnishing & Erecting Structural Steel.
 NTR denotes plates to which Notch Toughness Requirements apply.

BRIDGE REPAIRS
FA RT. 29
KNOX COUNTY
SN 048-0068