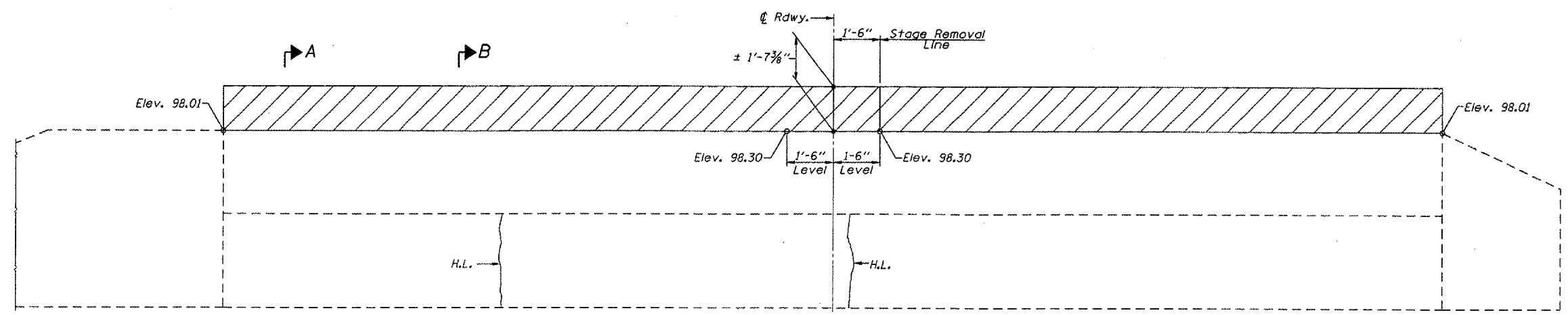


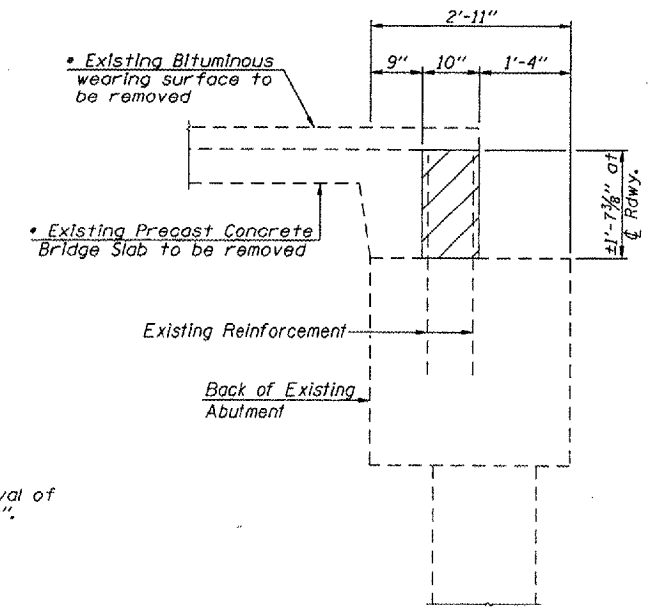
ROUTE NO.	SECTION	COUNTY	TOTAL SHEETS	SHEET NO.
F.A.P. 702	(113B)	WOODFORD	30	20
FED. ROAD DIST. NO.	ILLINOIS FED. AID PROJECT			

Contract No. 68635

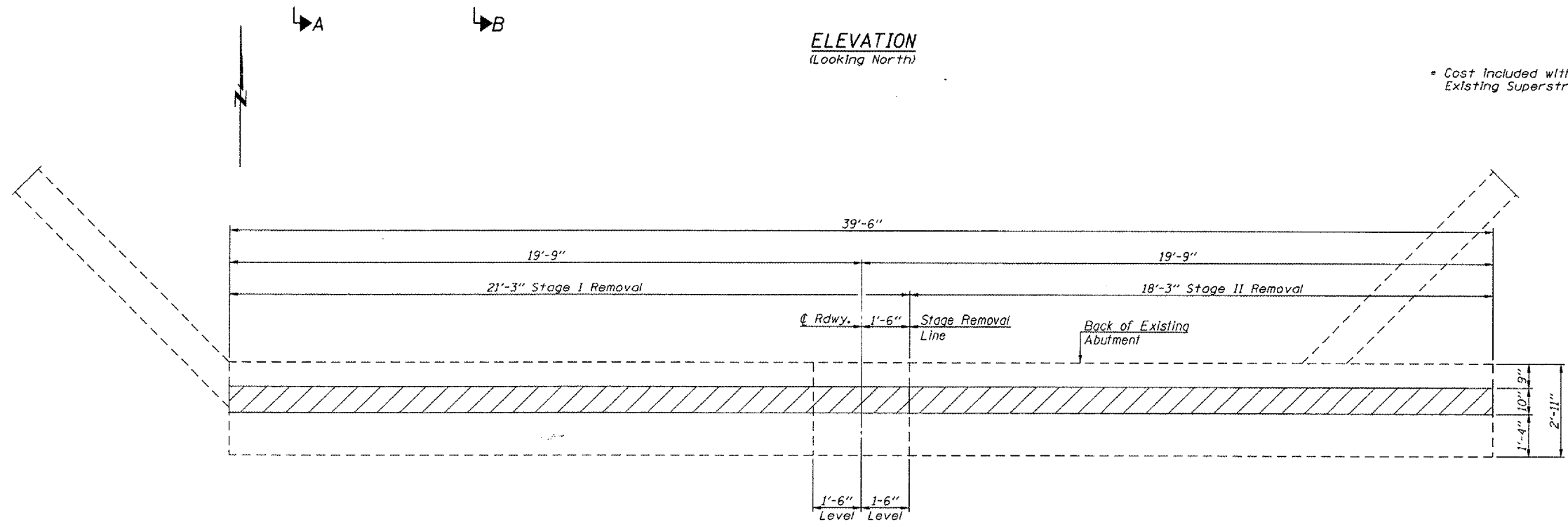
SHEET NO. 11
OF 14 SHEETS



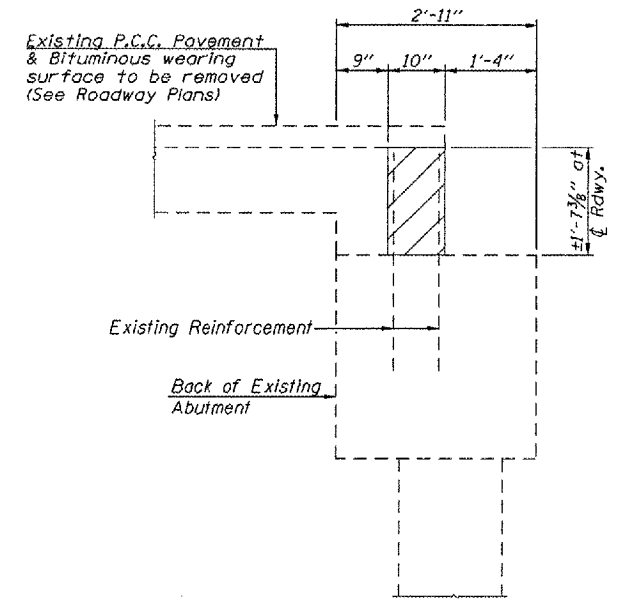
ELEVATION
(Looking North)



SECTION A-A



PLAN



SECTION B-B

- LEGEND**
- Concrete Removal
 - Hairline Crack (Not to be sealed)

Notes: Existing vertical reinforcing steel to be incorporated into new work shall be cleaned, straightened, cut (if required), and incorporated into new construction. Damaged reinforcing steel shall be replaced or removed as directed by the Engineer. Cost included with "Concrete Removal".
Removal of the existing joint system is included in the cost of "Concrete Removal".

BILL OF MATERIAL

ITEM	UNIT	QUANTITY
Concrete Removal	Cu. Yd.	2.0

**NORTH ABUTMENT
REMOVAL & REPAIR
IL ROUTE 117 OVER
WALNUT CREEK
F.A.P. RTE. 702 - SECTION (113B)
WOODFORD COUNTY
STA. 15+45.00
S.N. 102-0018**

FILE NAME: STRUCTURE PLANS/REV. 12/16/08