

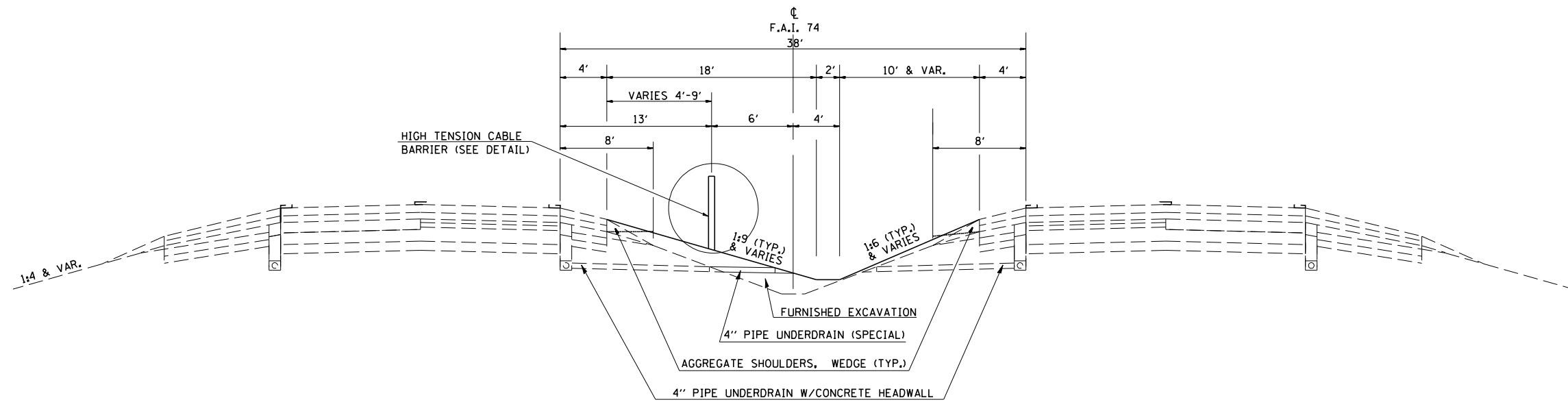
F.A.I. RTE.	SECTION	COUNTY	TOTAL SHEETS	SHEET NO.
74	*	VERMILION	105	11

STA.	TO STA.
FED. ROAD DIST. NO.	ILLINOIS FED. AID PROJECT

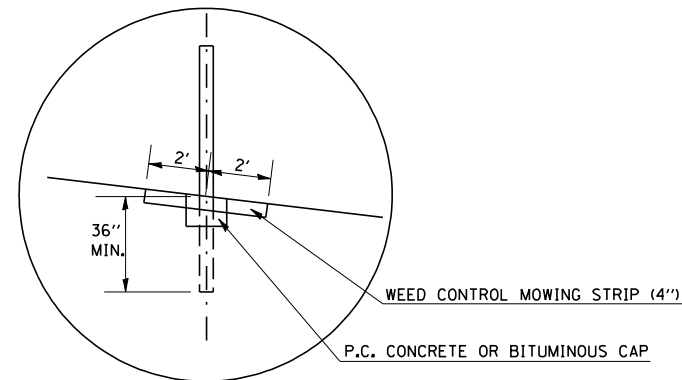
* D5 CABLE GUARD 2007-1

PROPOSED TYPICAL CROSS SECTION BOWMAN AVE. LOCATION #2

STA. 2020+75.67 TO STA. 2031+50.00



POST AND ANCHORAGE PER MANUFACTURERS SPECIFICATIONS.



DETAIL "A"