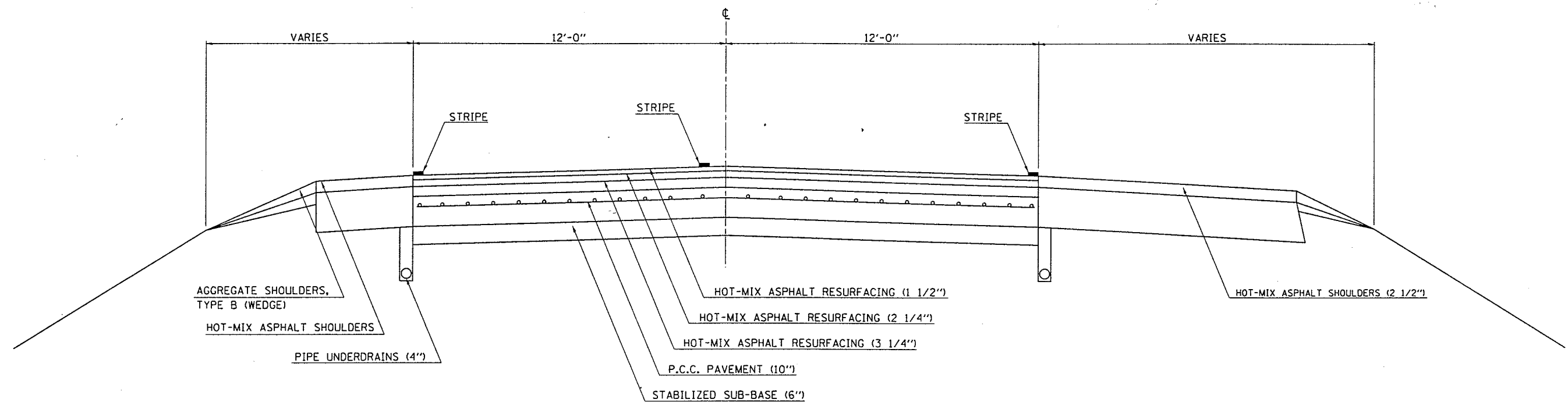


F.A.I. RTE.	SECTION	COUNTY	TOTAL SHEETS	SHEET NO.
74	*	VERMILION	8	6

* D5 CRACK & JOINT SEAL 2007-1

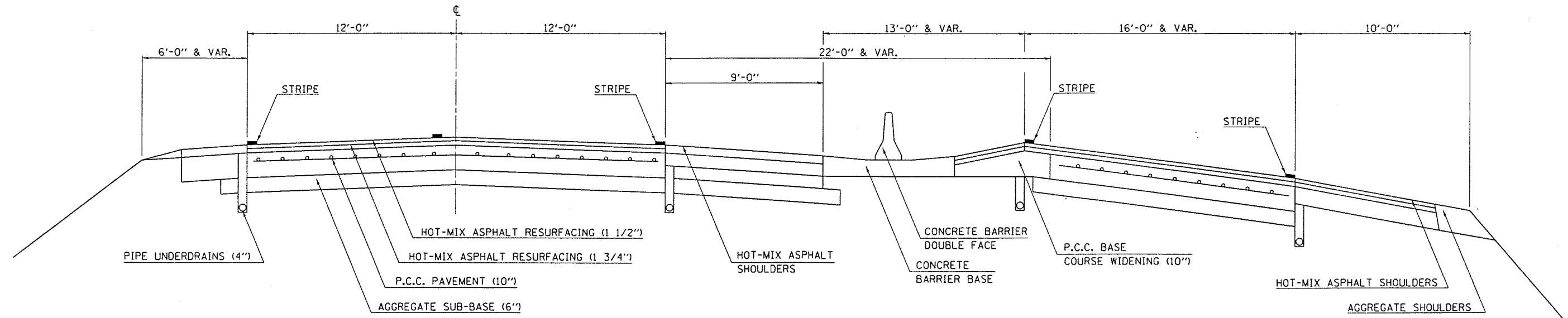
TYPICAL CROSS SECTION 1A

STATION 1720+00.00 TO STATION 1908+00.00 (1B)
 (1B) 1951+50.00 TO STATION 2231+13.24



TYPICAL CROSS SECTION 1B

STATION 1908+00.00 TO STATION 1951+50.00 (1A)



PLOT DATE = 12/6/2006
 FILE NAME = c:\projects\507806 (v8)\70563plan.dgn
 PLOT SCALE = 43.2355' / IN.
 USER NAME = plersonbr