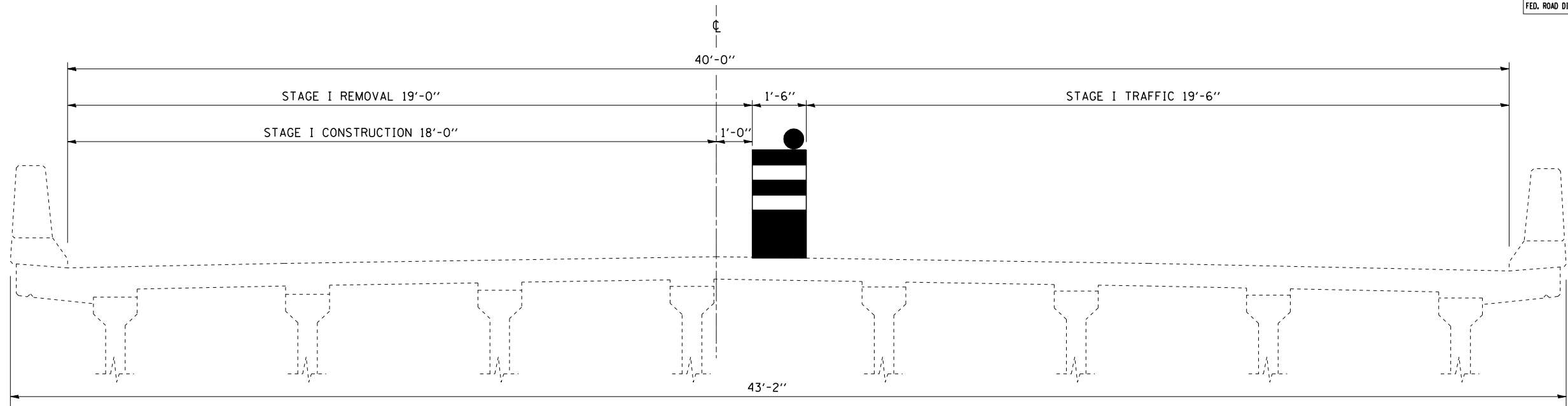
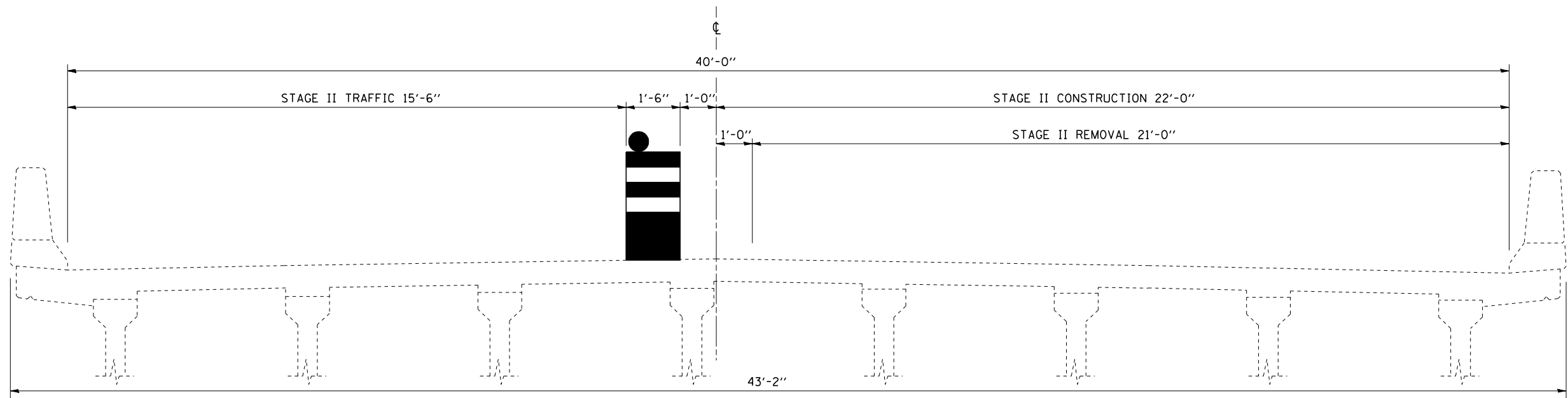


F.A.P. RTE.	SECTION	COUNTY	TOTAL SHEETS	SHEET NO.
322	*	DEWITT	35	7
STA.		TO STA.		
FED. ROAD DIST. NO.	ILLINOIS	FED. AID PROJECT		
* (52BR-1 & 53R-B)BJR				

SHEET 3 OF 8



**STAGE I CONSTRUCTION**  
**S.N. 020-0050**  
**(LOOKING SOUTH)**



**STAGE II CONSTRUCTION**  
**S.N. 020-0050**  
**(LOOKING SOUTH)**

ILLINOIS DEPARTMENT OF TRANSPORTATION  
**STAGE CONSTRUCTION DETAILS**  
 F.A.P. ROUTE 322  
 SECTION (52BR-1 & 53R-B)BJR  
 DEWITT COUNTY  
 S.N. 020-0050

SCALE: NA DRAWN BY: JRP  
 DATE: 11/08/06 CHECKED BY: