

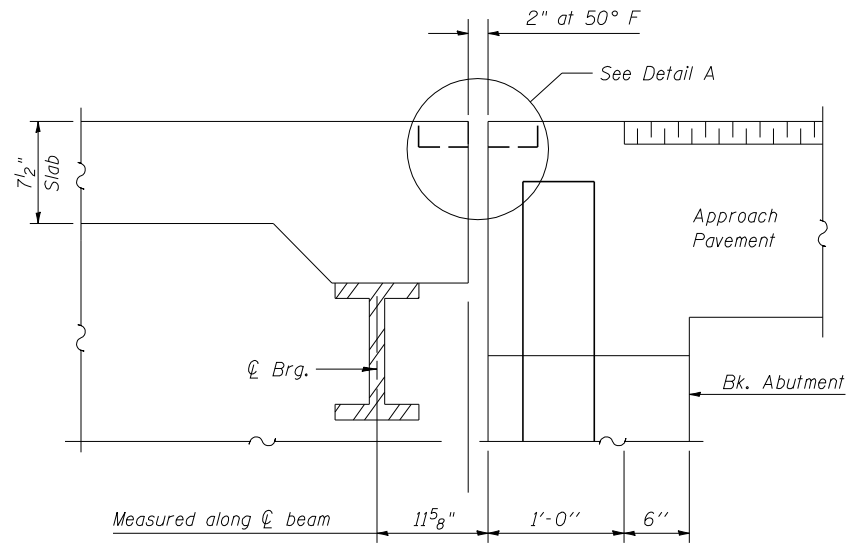
F.A.P. RTE.	SECTION	COUNTY	TOTAL SHEETS	SHEET NO.
322	*	DEWITT	35	31
STA.		TO STA.		
FED. ROAD DIST. NO.	ILLINOIS	FED. AID PROJECT		

\* (52BR-1 & 53R-B)BJR

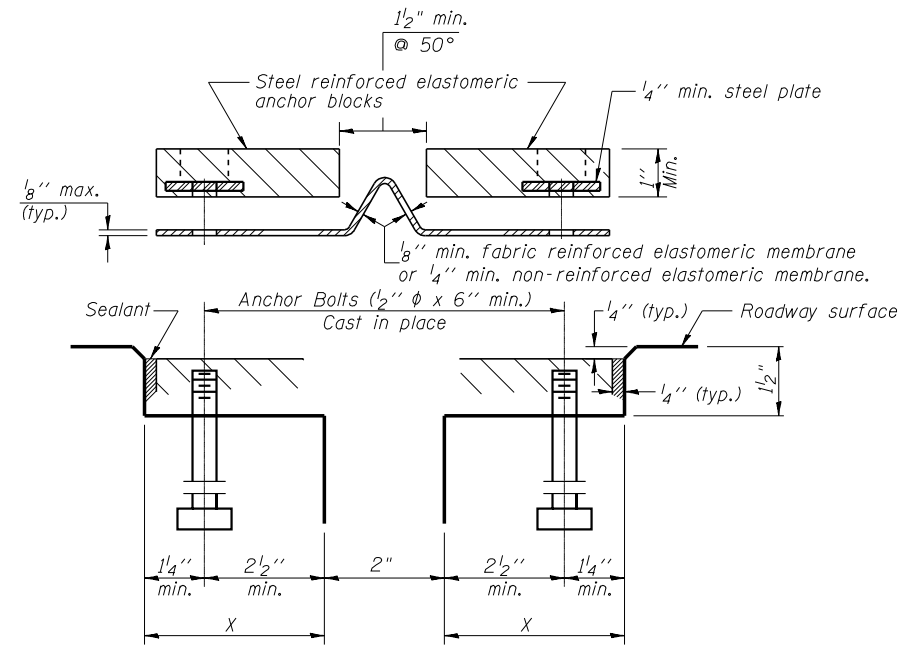
SHEET 5 OF 8

# JOINT REPAIR AT NORTH ABUTMENT

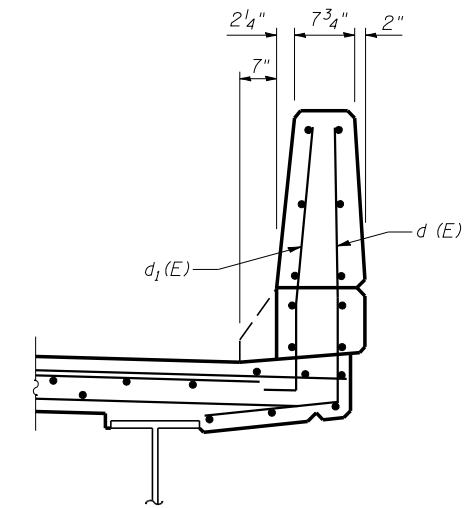
## S.N. 020-0005



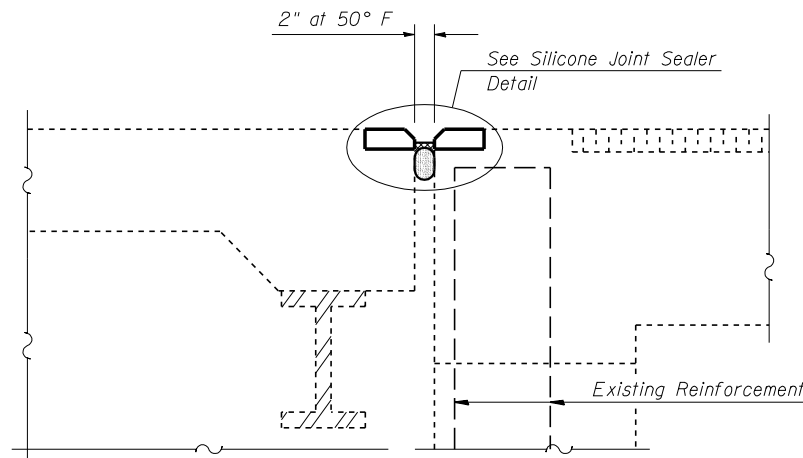
**EXISTING SECTION AT NORTH ABUTMENT**



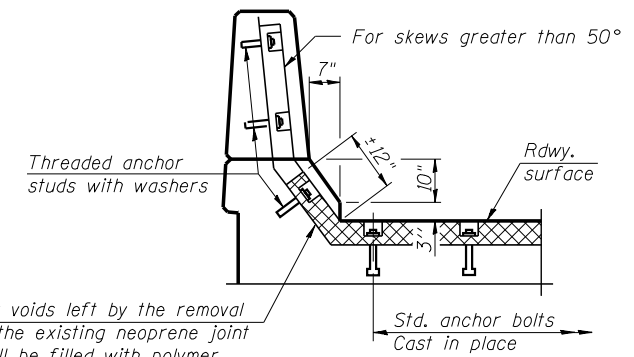
**CROSS SECTION DETAIL A EXISTING JOINT**



**EXISTING SECTION THRU PARAPET**



**PROPOSED SECTION AT NORTH ABUTMENT**

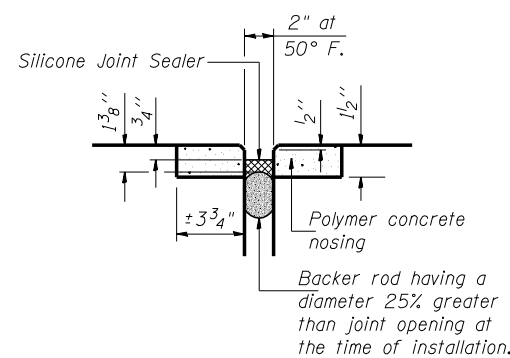


**EXISTING NEOPRENE JOINT AT PARAPET**

### BILL OF MATERIALS

Item	Unit	Total
Polymer Concrete	Cu. Ft.	3.5
Silicone Joint Sealer, 2"	Foot	45.4

**Note:**  
For proposed end of seal treatment at abutment, see sheet 8 of 8.



**SILICONE JOINT SEALER DETAIL**

**Notes:**

- Remove existing neoprene expansion joint leaving existing anchor bolts, replace with Silicone Joint Sealer and Polymer Concrete.
- Removal of the existing anchor blocks and neoprene membrane is included in the cost of Polymer Concrete.

ILLINOIS DEPARTMENT OF TRANSPORTATION  
**JOINT REPAIR AT NORTH ABUTMENT**  
 F.A.P. ROUTE 322  
 SECTION (52BR-1 & 53R-B)BJR  
 DEWITT COUNTY  
 S.N. 020-0005  
 SCALE: NA DRAWN BY: JRP  
 DATE: 11/08/06 CHECKED BY: