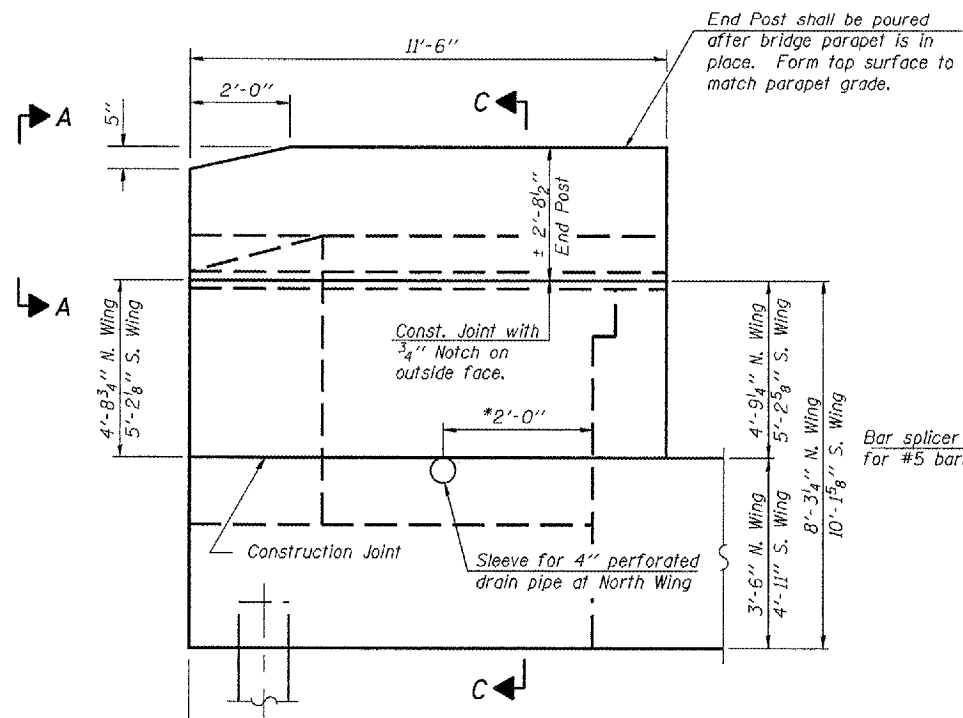


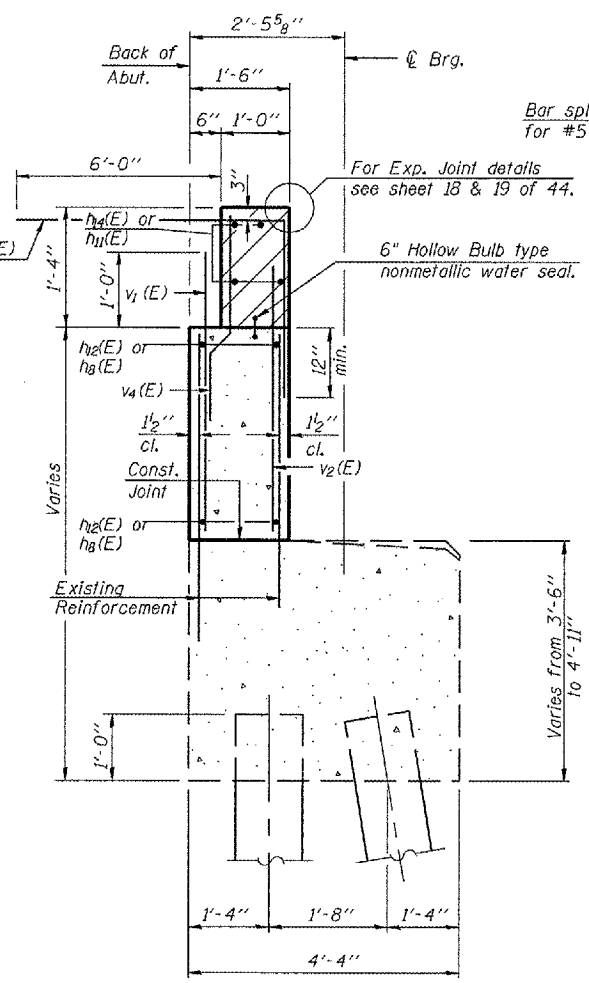
ROUTE NO.	SECTION	COUNTY	SHEET	"OF"	SHEET NO. 29
FAI 72	*	SANGAMON	559	282	44 SHEETS
FED. ROAD DIST. NO. 7	ILLINOIS	FED. AID PROJECT			

(84-9-4)A, HBK, BY, BY-1 Contract No 72541



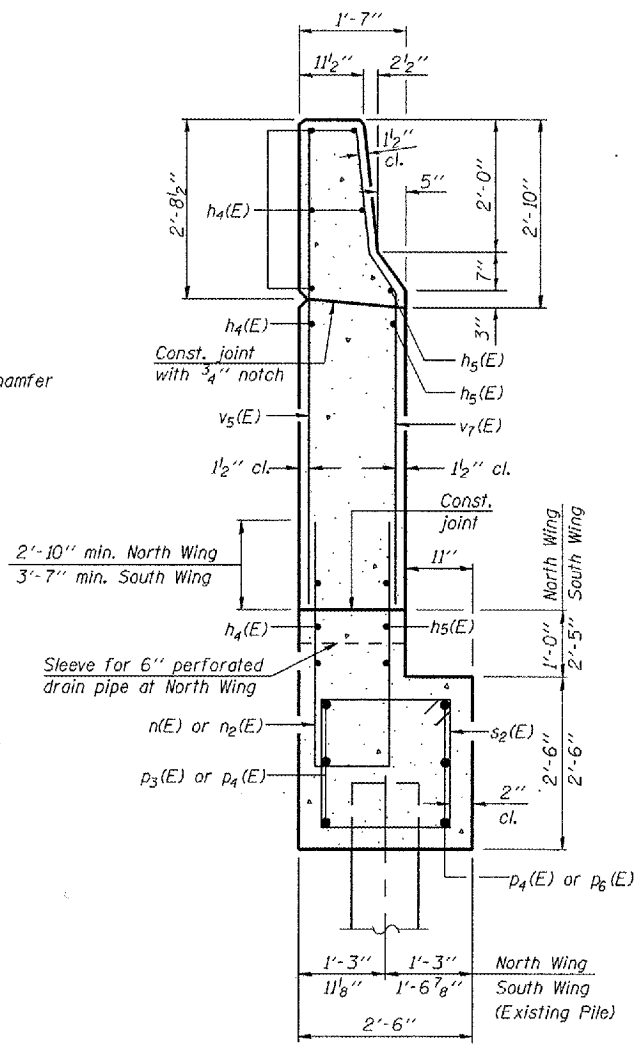
WING WALL ELEVATION
Showing Dimensions

*Dimension perpendicular to Back of Abutment

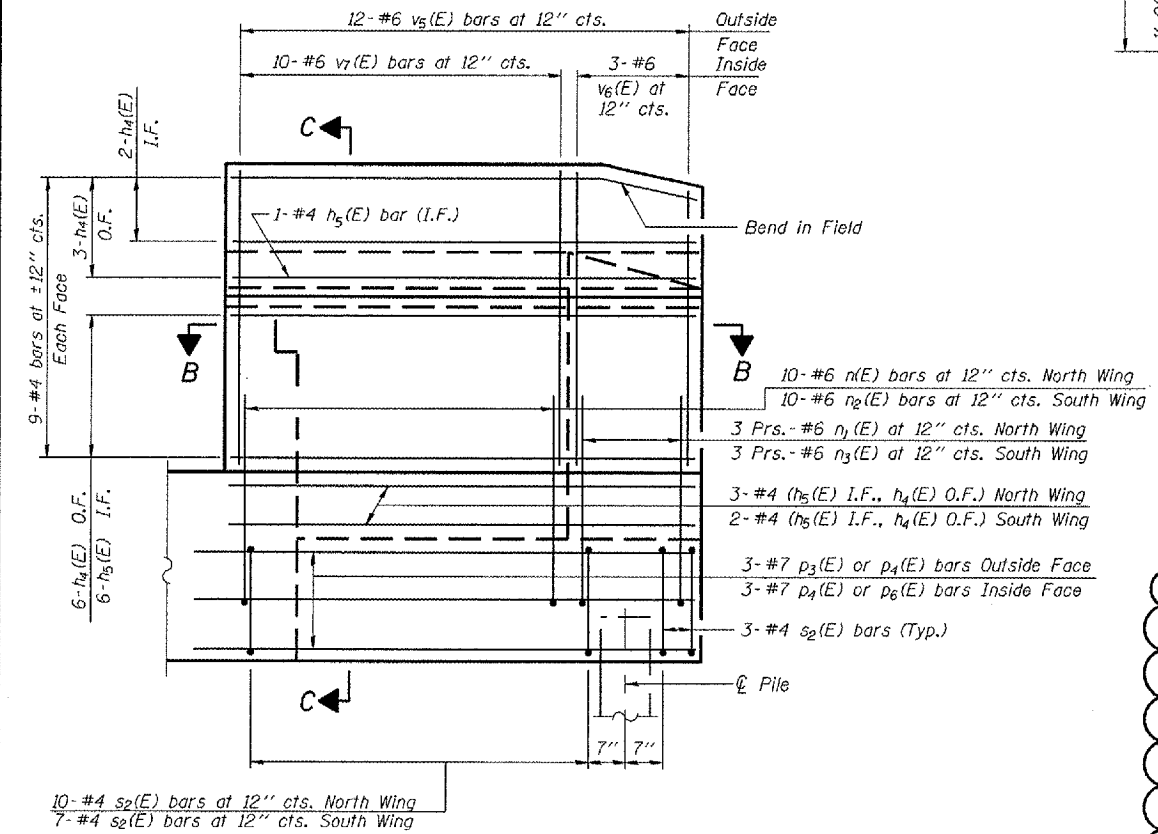


SEC. THRU EXISTING ABUT.

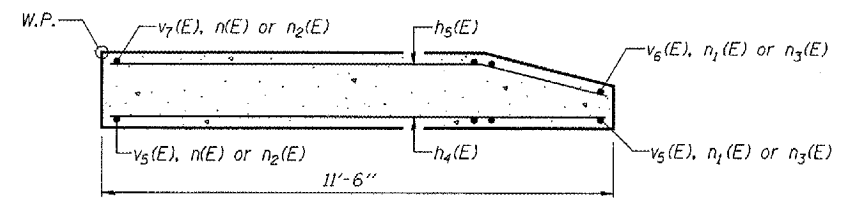
SEC. THRU ABUT.



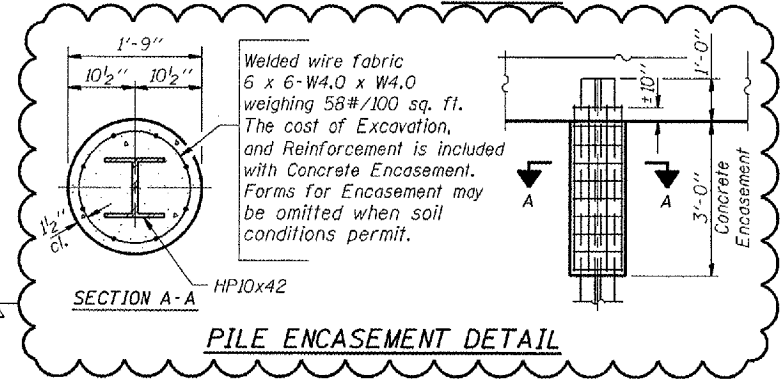
SECTION C-C



WING WALL ELEVATION
Showing Reinforcement



SEC. B-B



PILE ENCASEMENT DETAIL

MIN. BAR LAPS

- #4 Bar - 1'-8"
- #5 Bar - 2'-2"
- #6 Bar - 2'-7"
- #7 Bar - 3'-5"

Notes: Hatched area to be poured after superstructure forms have been removed. Quantity of concrete included with Concrete Superstructure. Space reinforcement in cap to miss anchor bolts. Pour steps monolithically with cap. Reinforcement bars designated (E) shall be epoxy coated. Quantity of concrete in end post included with Concrete Superstructure on sheet 13 of 44. Cost for sleeve shall be included with Concrete Structures.

Corporate License Number 184-001-084
WESTBOUND-EAST ABUTMENT DETAILS
F.A.I. 72 OVER UNION PACIFIC RAILROAD
SECTION (84-9-4)A, HBK, BY, BY-1
SANGAMON COUNTY
STATION 608+51.98
STR NO. 084-0074 EB - 084-0075 WB

© Copyright Hanson Professional Services Inc. SMS_YEAR\$
HANSON
 96S2002B
 DATE: 01/12/06

LAYOUT	MM	06/27/03
DRAWN	DAP	07/17/03
REVIEWED	JMM	10/27/03