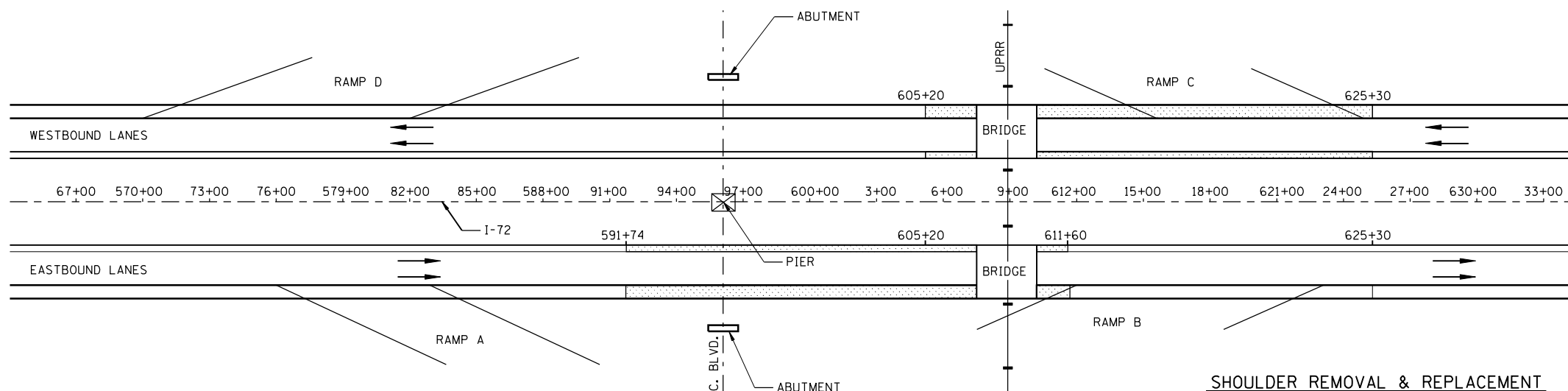


FAU ROUTE	SECTION	COUNTY	TOTAL SHEETS	SHEET NO.
8071	*	SANGAMON	559	81
STA.		TO STA.		
FED. ROAD DIST. NO.	ILLINOIS	FED. AID PROJECT		
(84-9-4)A,HBK,BY,BY-1 * 02-00382-02-PV				

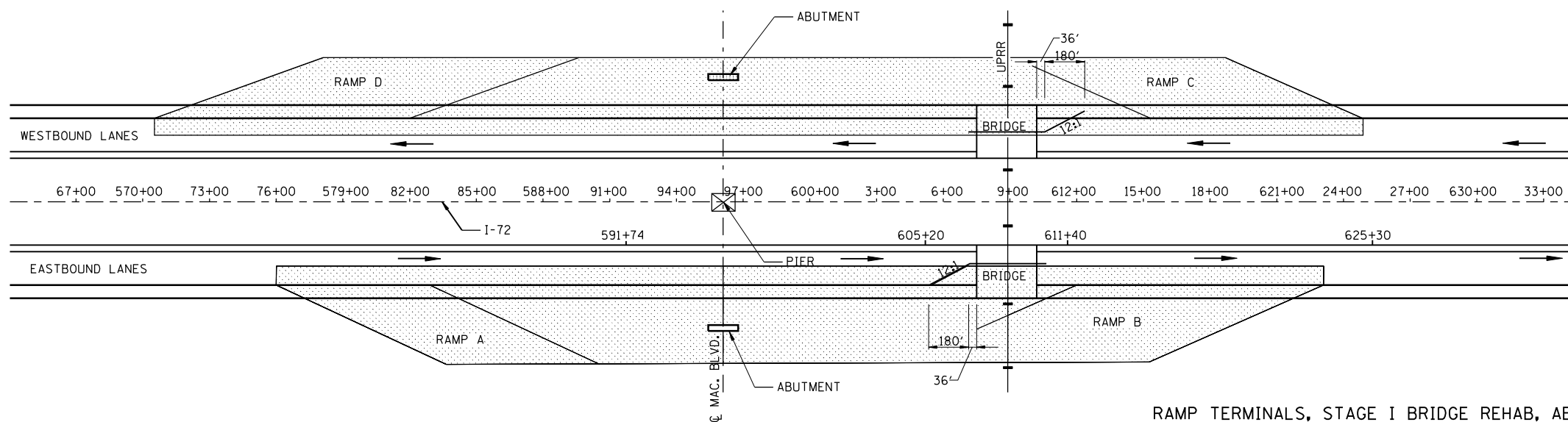


**TRAFFIC CONTROL**

CLOSE ONE LANE DURING SHOULDER REMOVAL AND REPLACEMENT, DAY OPERATIONS ONLY. USE TRAFFIC CONTROL AND PROTECTION: STD. 701400 NOT MEASURED STD. 701406 LUMP SUM

**LEGEND**

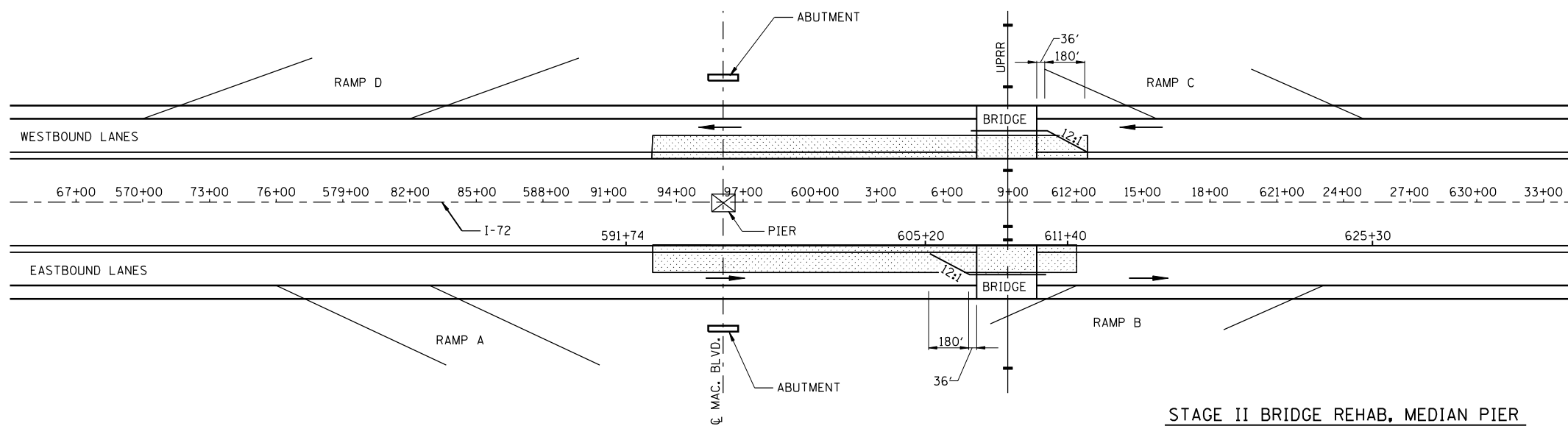
- CONSTRUCTION
- TRAFFIC
- TEMPORARY CONCRETE BARRIER



**TRAFFIC CONTROL**

TRAFFIC ON INSIDE LANES TRAFFIC CONTROL AND PROTECTION: STD. 701400 - NOT MEASURED STD. 701401 - 2 EACH STD. 701402 - COST INCLUDED TEMPORARY CONCRETE BARRIER - FT

**RAMP TERMINALS, STAGE I BRIDGE REHAB, ABUTMENTS**



**TRAFFIC CONTROL**

TRAFFIC ON OUTSIDE LANES TRAFFIC CONTROL AND PROTECTION: STD. 701400 - NOT MEASURED STD. 701401 - CONTIGUOUS LATERAL MOVEMENT STD. 701402 - COST INCLUDED RELOCATE TEMPORARY CONCRETE BARRIER - FT

**STAGE II BRIDGE REHAB, MEDIAN PIER**

REVISIONS	
NAME	DATE

ILLINOIS DEPARTMENT OF TRANSPORTATION  
 I-72 TRAFFIC STAGING  
 FAI-72, MACARTHUR BLVD  
 SEC NO. 02-00382-02-PV  
 SEC NO. (84-9-4)A,HBK,BY,BY-1  
 SANGAMON COUNTY, ILLINOIS

SCALE: VERT.      DRAWN BY HPS  
 HORIZ.      CHECKED BY JWM  
 DATE 12/16/2006



LAYOUT	HPS	08/05/06
DRAWN	HPS	08/05/06
REVIEWED	JMW	08/05/06