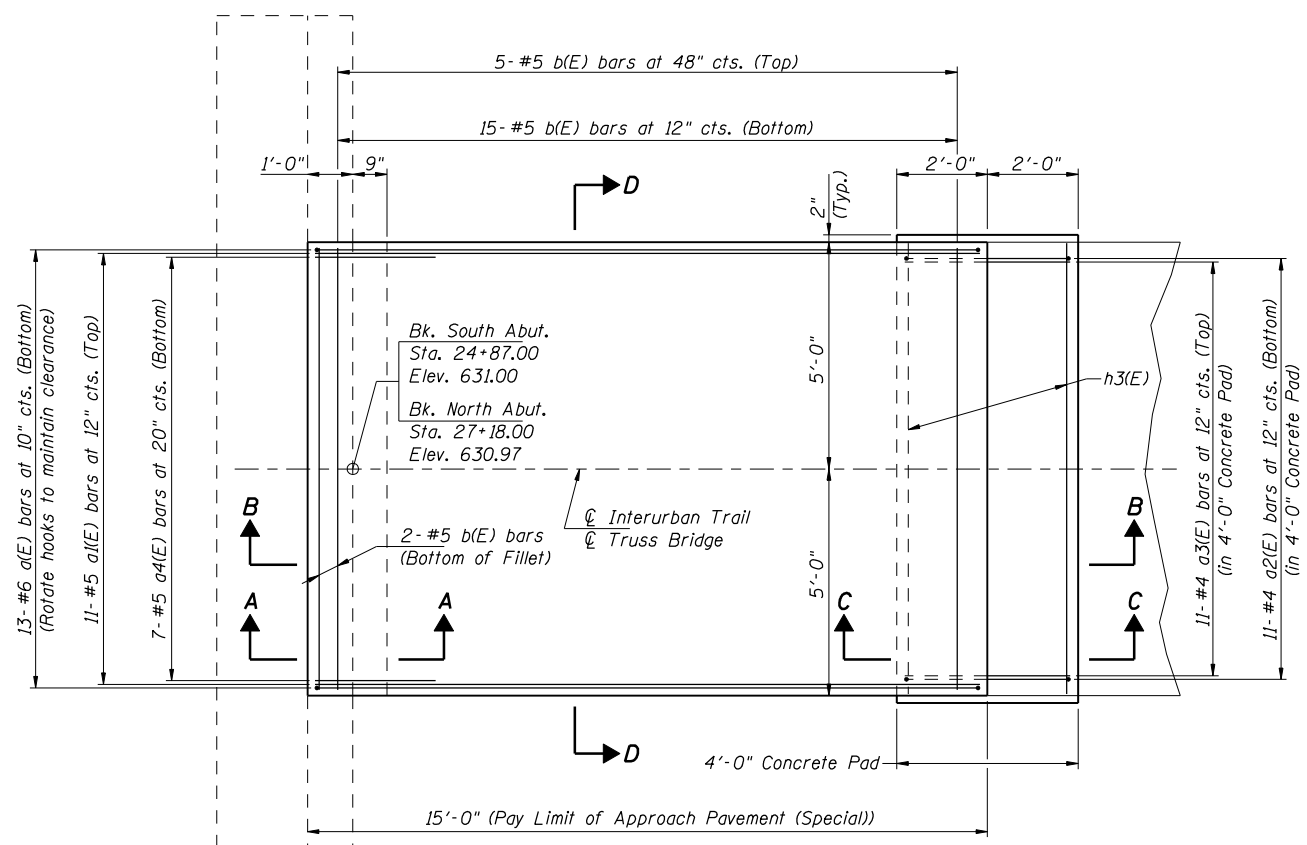
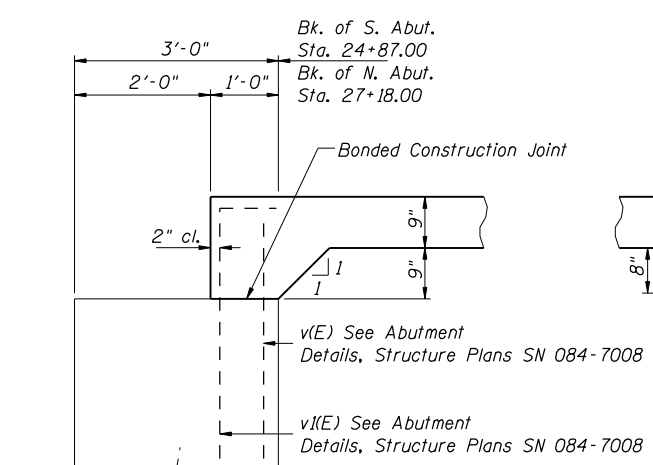


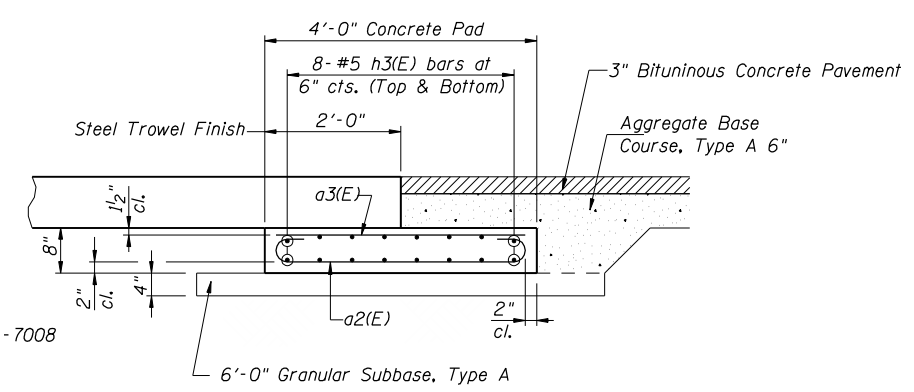
FAU ROUTE	SECTION	COUNTY	TOTAL SHEETS	SHEET NO.
8071	*	SANGAMON	559	200
STA.		TO STA.		
FED. ROAD DIST. NO.		ILLINOIS FED. AID PROJECT		
(84-9-4)A,HBK,BY,BY-1 * 02-00382-02-PV				



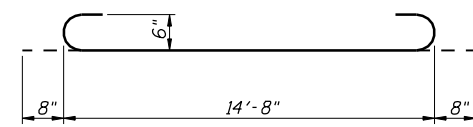
PLAN VIEW



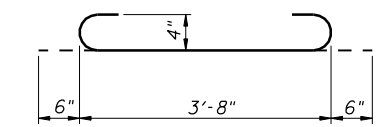
SECTION A-A



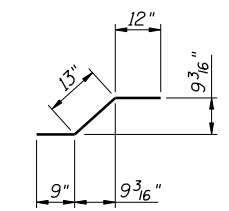
SECTION C-C



BAR a(E)



BAR a2(E)



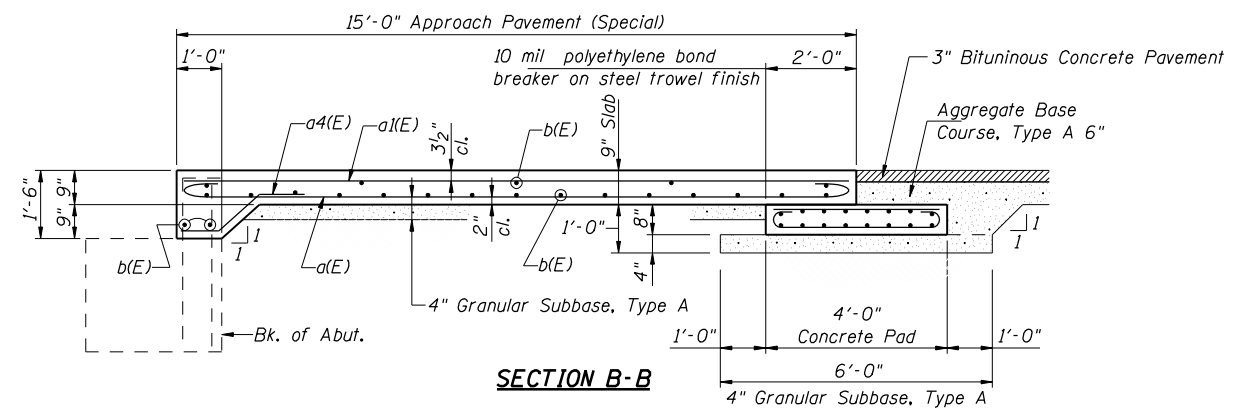
BAR a4(E)

STRAIGHT BARS

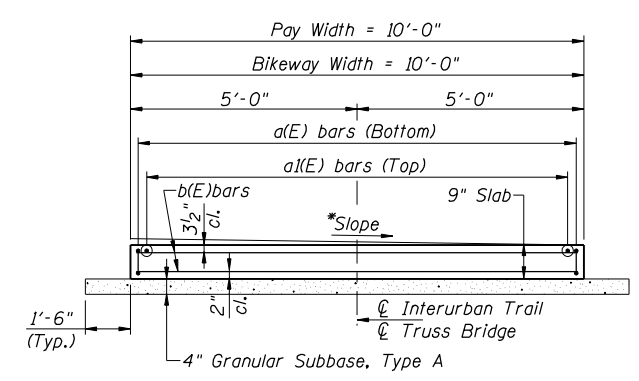
Bar	Length
a1(E)	14'-8"
a3(E)	3'-8"
b(E)	9'-8"
h3(E)	10'-0"

DESIGN STRESSES

$f'_c = 3,500$ psi
 $f_y = 60,000$ psi (reinf.)
 $n = 8.5$



SECTION B-B



SECTION D-D

*Transition Slope from 2% to 0% over 15' length

WORK ON THIS SHEET FOR INFORMATION ONLY NOT INCLUDED IN GRADING & STRUCTURES CONTRACT

NOTE:
 Cost of 4" Granular Subbase, Type A Shall be included with Approach Pavement (Special)

REVISIONS	
NAME	DATE

ILLINOIS DEPARTMENT OF TRANSPORTATION
 APPROACH PAVEMENT SPECIAL
 INTERURBAN TRAIL OVER N.S. R.R.
 SEC NO. 02-00382-02-PV
 SEC NO. (84-9-4)A,HBK,BY,BY-1
 SANGAMON COUNTY, ILLINOIS

SCALE: VERT. DRAWN BY RAH
 HORIZ. CHECKED BY MNM
 DATE 12/16/2006



12/16/2006	RAH	02/05/06
\$FILES	RAH	02/05/06
	RAH	02/05/06
	MNM	02/05/06