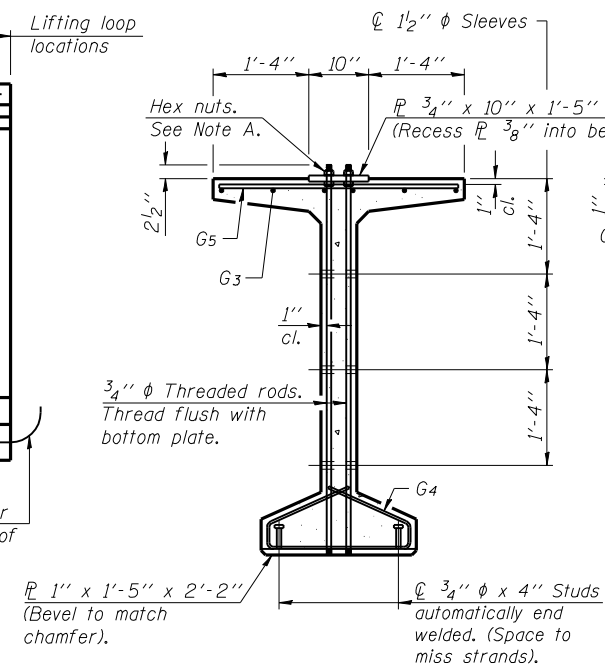


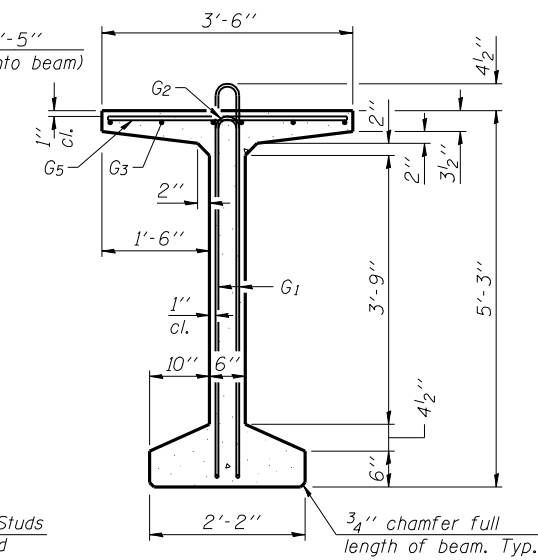
ELEVATION OF BEAM
(Showing reinforcement & dimensions)

* 4 spaces at 3 1/4" = 1'-1"
** 5-3/4" φ threaded dowel rods at 3 1/4" cts., each face.

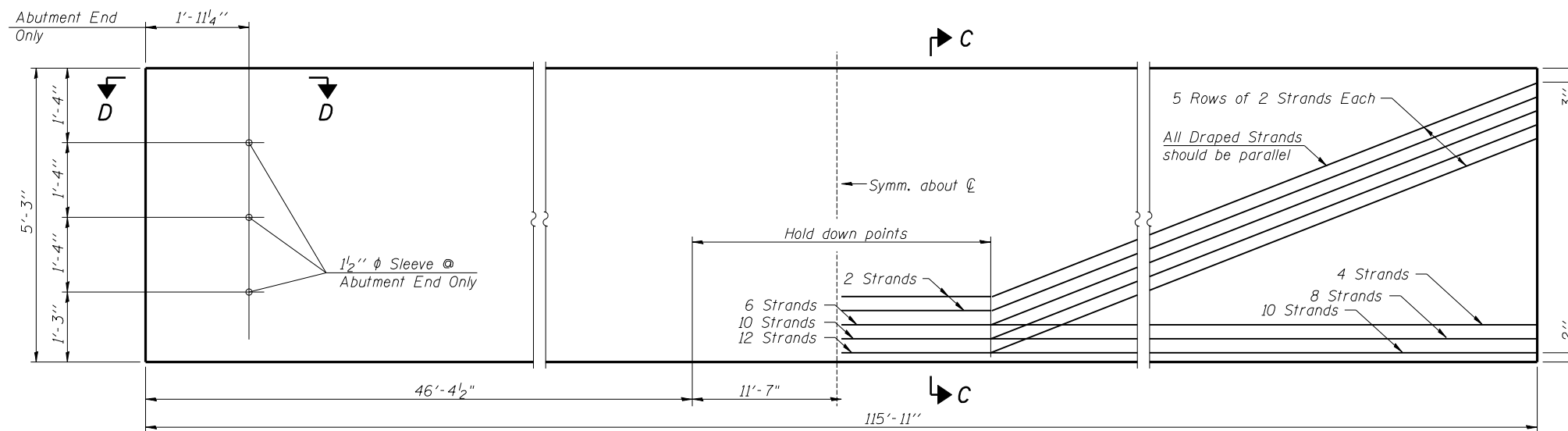
Note A:
Hex nuts (top and bottom) with lock washers (top). Only tighten sufficiently to compress lock washers.



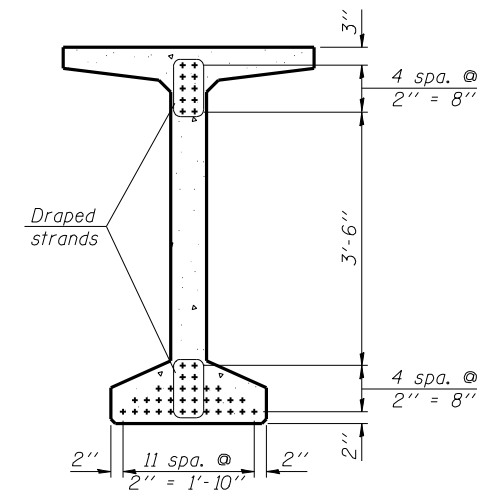
SECTION A-A



SECTION B-B



ELEVATION OF BEAM
(Showing prestressing steel)



SECTION C-C

**BAR LIST
ONE BEAM ONLY**

Bar	No.	Size	Length	Shape
G1	183	#4	11'-11"	⊔
G2	16	#4	6'-2"	⊔
G3	24	#6	31'-0"	⊔
G4	56	#3	4'-11"	⊔
G5	155	#5	3'-4"	⊔
G6	3	#8	3'-9"	⊔

Notes:
See sheet 15 of 24 for additional details and Bill of Material.
Required release strength, f'ci, shall be 5000 psi.

Corporate License Number 184-001-084

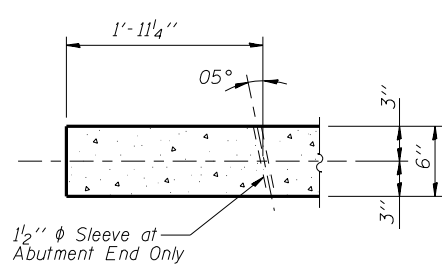
**63" PPC BULB T-BEAM - SPAN 2
MACARTHUR BLVD. OVER F.A.I. 72
SECTION (84-9-4)A, HBK, BY, BY-1
SANGAMON COUNTY
STATION 792+77.64
STRUCTURE NUMBER 084-0513**

© Copyright Hanson Professional Services Inc. \$MS_YEARS



JOB#
96S2002B
DATE
10/10/06

LAYOUT
DRAWN
REVIEWED



SECTION D-D

MMW 10/10/06
DAP 10/10/06
JMM 10/12/06

\$FILES
12/16/2006