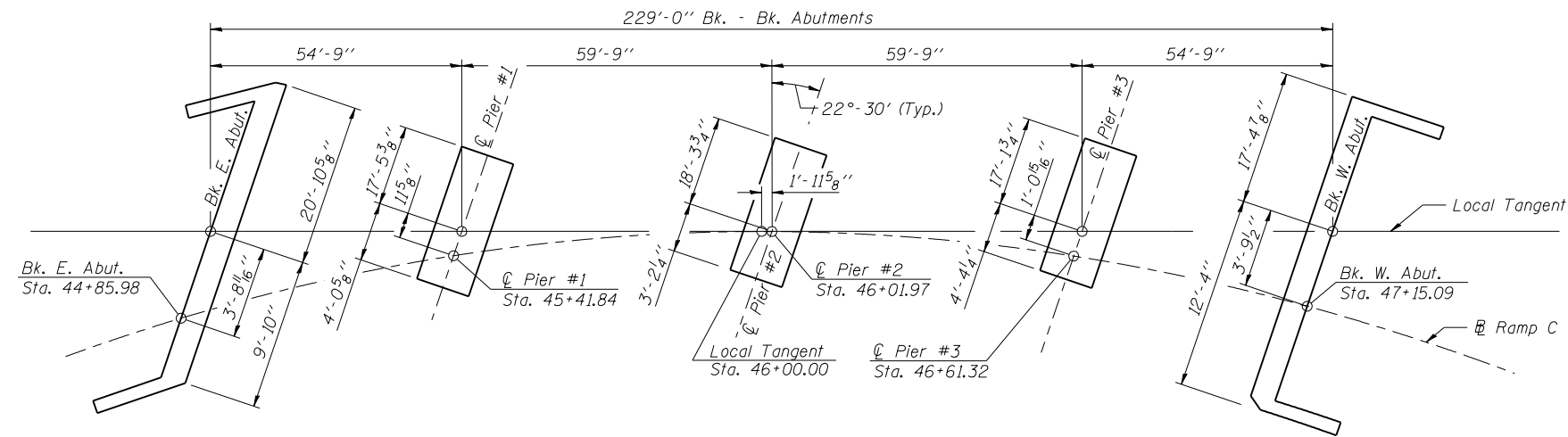


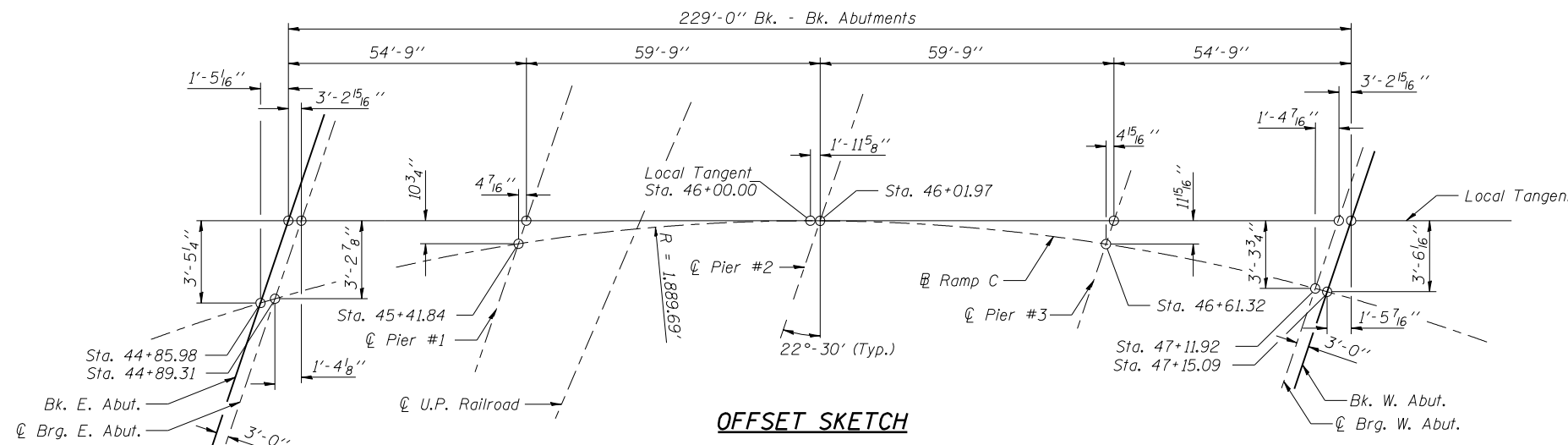
ROUTE NO.	SECTION	COUNTY	TOTAL SHEETS	SHEET NO.
FAI 72	#	SANGAMON	559	322
FAU 8071				
FED. ROAD DIST. NO. 7	ILLINOIS	FED. AID PROJECT-		

SHEET NO. 03
21 SHEETS

*(84-9-4)A,HBK,BY,BY-1 Contract No 72541



FOOTING LAYOUT



OFFSET SKETCH

Corporate License Number 184-001-084

FOOTING LAYOUT
I-72/MACARTHUR BLVD. RAMP C OVER UPRR
SECTION (84-9-4)A,HBK,BY,BY-1
SANGAMON COUNTY
STATION 46+01.97
STRUCTURE NUMBER 084-0516

© Copyright Hanson Professional Services Inc. \$MS_YEAR\$



JOB# 96S2002B

DATE 11/16/05

LAYOUT	MM	06/27/03
DRAWN	DAP	01/04/05
REVIEWED	JMM	02/24/05

\$FILES\$
12/16/2006