

Contract No 72541
ANCHOR BOLT LAYOUT DIMENSIONS

Beam No.	A	B
1	8 ⁵ / ₁₆ "	4"
2	8 ⁵ / ₁₆ "	4"
3	8 ⁵ / ₁₆ "	4"
4	8 ⁵ / ₁₆ "	4 ¹ / ₁₆ "
5	8 ⁵ / ₁₆ "	4 ¹ / ₁₆ "

ABUTMENT BILL OF MATERIAL

Bar No.	Size	Length	Shape
h(E)	14	#5	15'-6"
h ₁ (E)	10	#5	6'-2"
h ₂ (E)	10	#5	6'-2"
h ₃ (E)	25	#4	11'-3"
h ₄ (E)	17	#4	11'-3"
h ₅ (E)	8	#6	15'-7"
h ₆ (E)	3	#5	17'-9"
h ₇ (E)	3	#5	4'-9"
n(E)	10	#6	14'-4"
n ₁ (E)	6	#6	7'-2"
n ₄ (E)	10	#6	11'-6"
n ₅ (E)	6	#6	5'-9"
p(E)	16	#7	17'-0"
p ₁ (E)	3	#7	13'-0"
p ₂ (E)	3	#7	13'-0"
p ₃ (E)	3	#7	12'-0"
p ₄ (E)	3	#7	11'-4"
s(E)	33	#5	16'-1"
s ₁ (E)	24	#4	9'-5"
u(E)	4	#6	10'-0"
u ₁ (E)	4	#6	8'-4"
u ₂ (E)	20	#4	10'-5"
v(E)	60	#5	5'-4"
v ₁ (E)	30	#4	3'-1"
v ₂ (E)	24	#6	6'-1"
v ₃ (E)	6	#6	6'-1"
v ₄ (E)	20	#6	6'-3"
v ₅ (E)	30	#5	2'-10"
Structure Excavation	Cu. Yd.	101	
Concrete Structures	Cu. Yd.	41.6	
Reinforcement Bars, Epoxy Coated	Pound	4190	
Furnishing Steel Piles HP10x57	Foot	384	
Driving Piles	Foot	384	
Test Piles Steel HP10x57	Each	1	

MIN. BAR LAPS

- #4 Bar - 1'-8"
- #5 Bar - 2'-2"
- #6 Bar - 2'-7"
- #7 Bar - 3'-5"

Notes:
 Reinforcement bars designated (E) shall be epoxy coated.
 For details of Bar Splicers, see sheet 20 of 21.
 Conduit is embedded in the North Wing. For details see Conduit Details sheet in the Roadway Plans.
 Corporate License Number 184-001-084

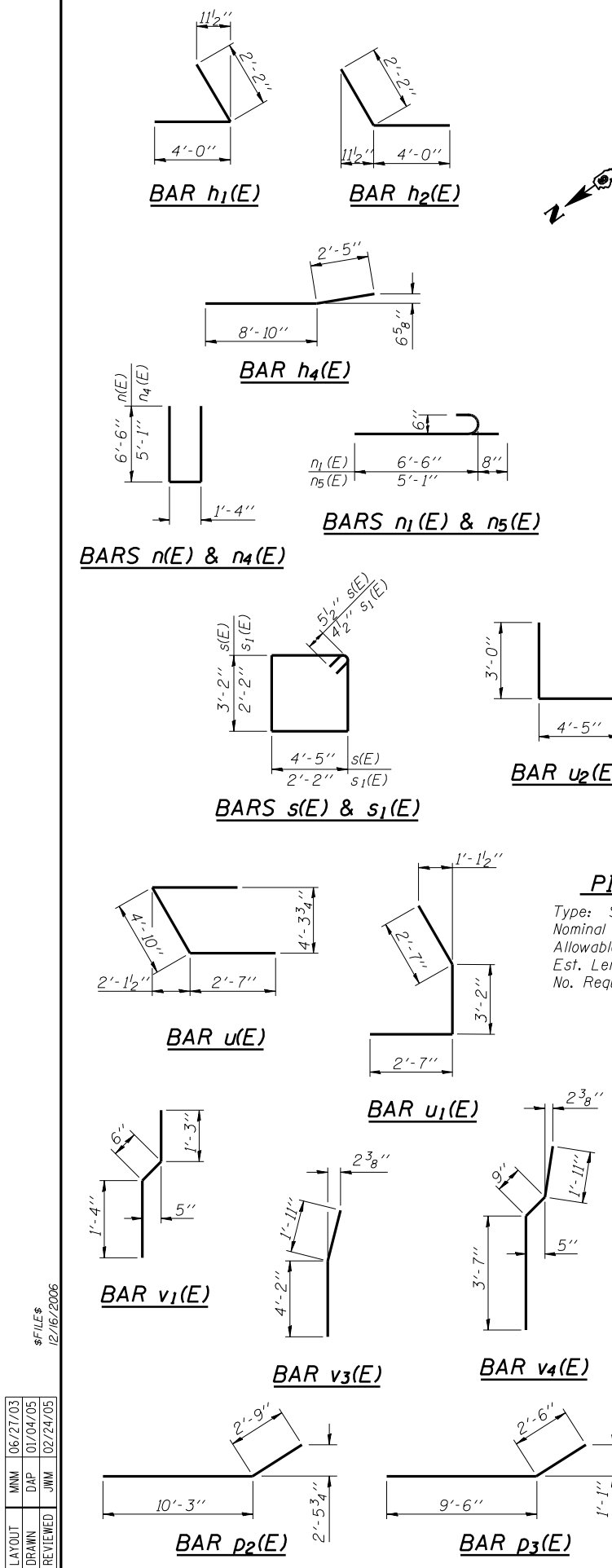
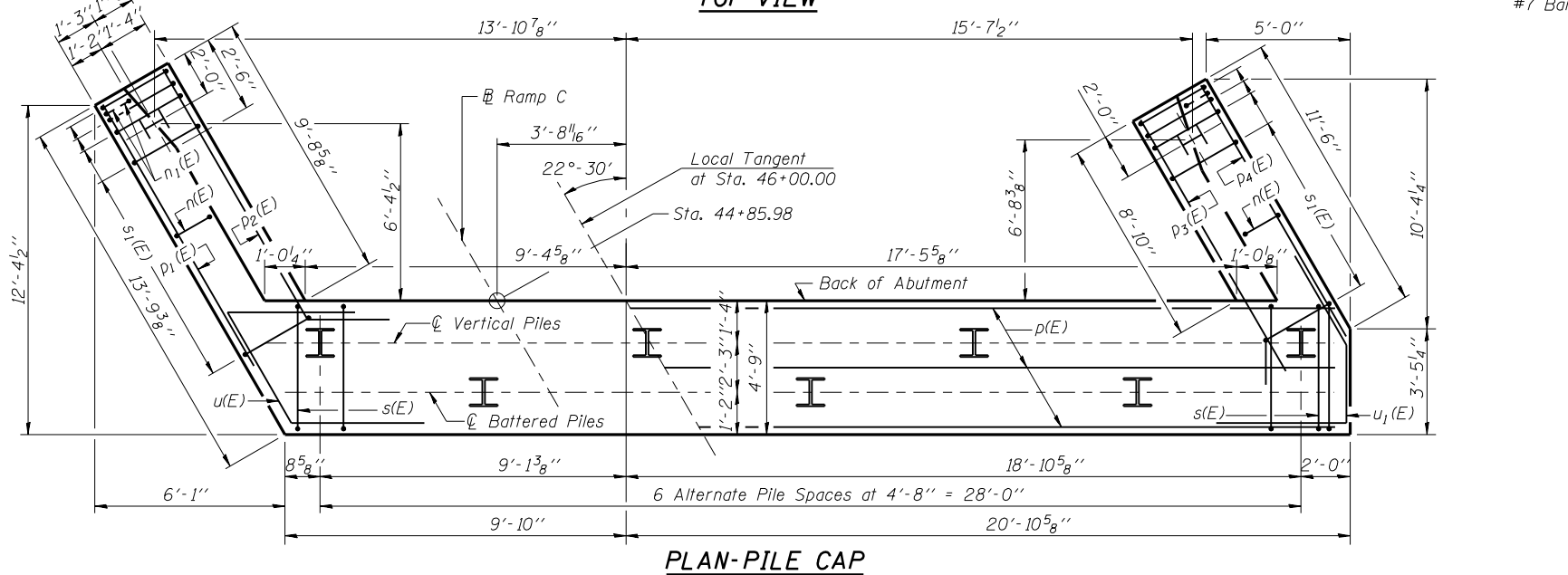
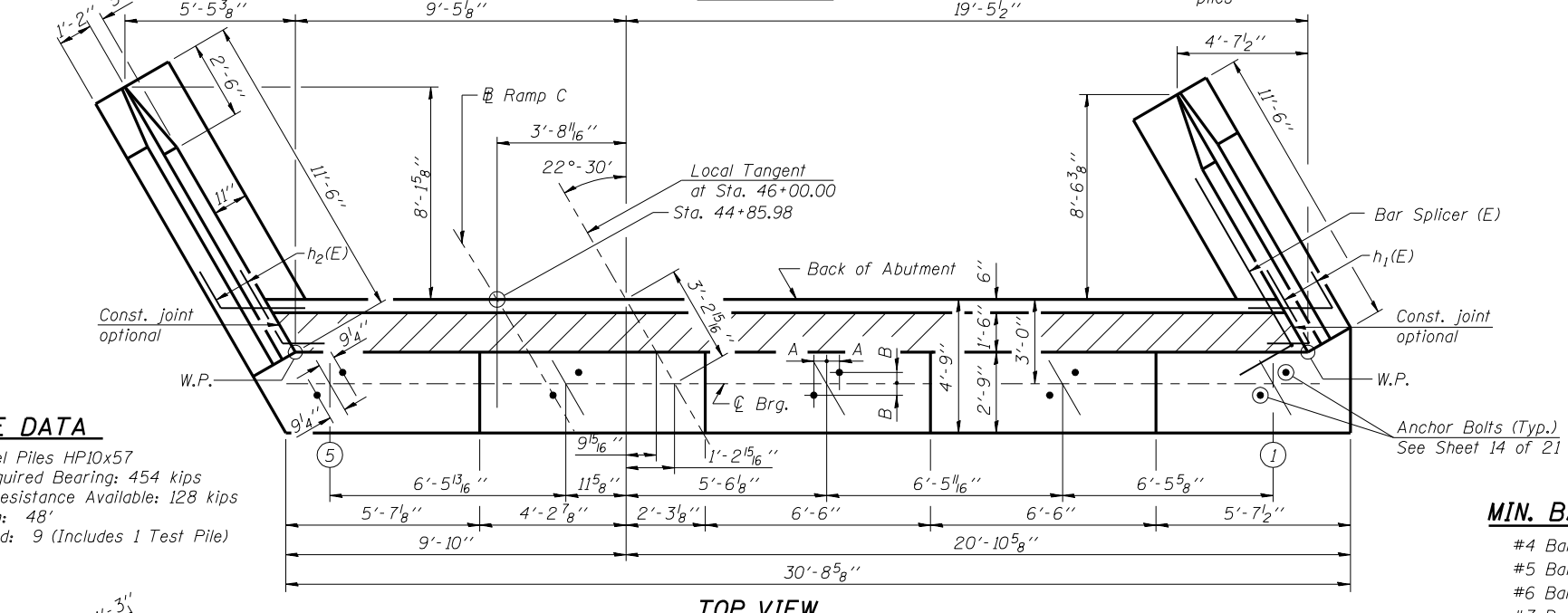
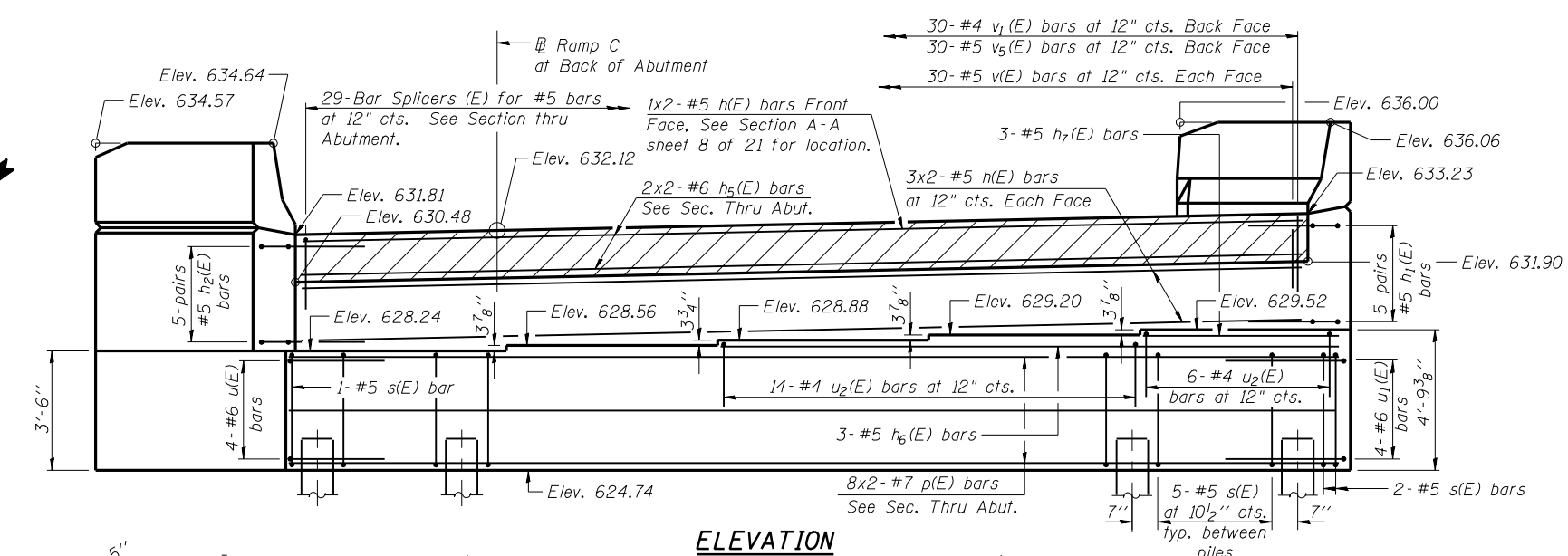
EAST ABUTMENT
 I-72/MACARTHUR BLVD. RAMP C OVER UPRR
 SECTION (84-9-4)A, HBK, BY, BY-1
 SANGAMON COUNTY
 STATION 46+01.97
 STRUCTURE NUMBER 084-0516

© Copyright Hanson Professional Services Inc. \$MS_YEAR\$



96S2002B

DATE: 11/16/05



LAYOUT	MM	06/27/03
DRAWN	DAP	01/04/05
REVIEWED	JMM	02/24/05

\$FILES\$ 12/16/2006