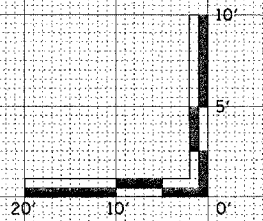
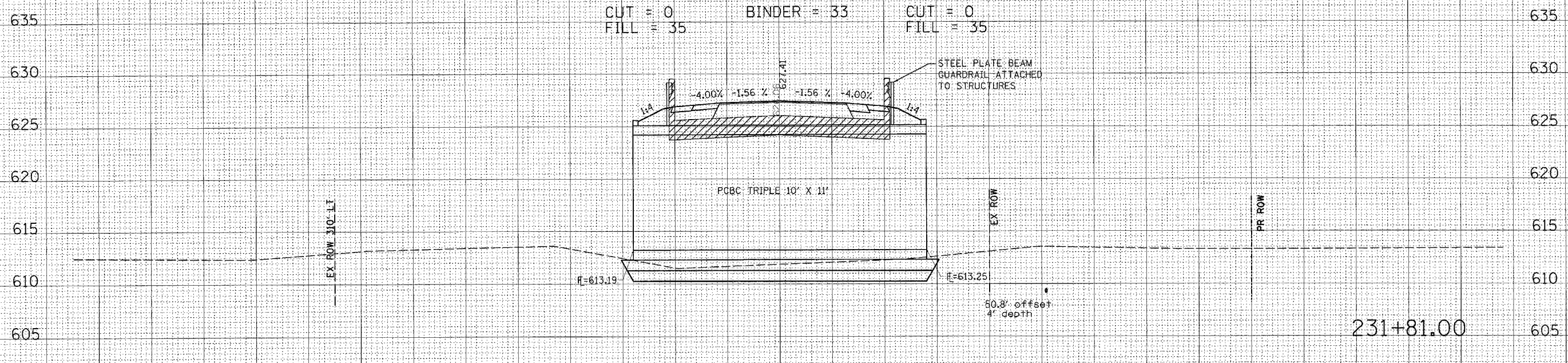
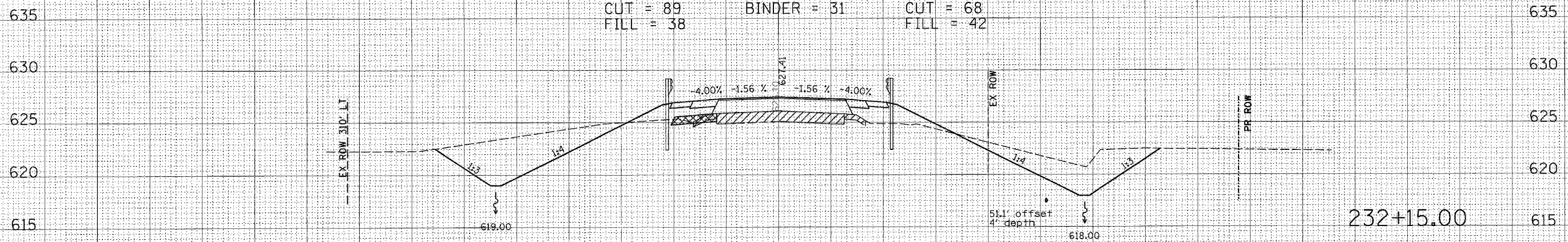


|                     |                           |          |              |           |
|---------------------|---------------------------|----------|--------------|-----------|
| F.A.P. NO.          | SECTION                   | COUNTY   | TOTAL SHEETS | SHEET NO. |
| 753                 | 139B-1                    | SANGAMON | 39           | 33        |
| STA.                | TO STA.                   |          |              |           |
| FED. ROAD DIST. NO. | ILLINOIS FED. AID PROJECT |          |              |           |

130 120 110 100 90 80 70 60 50 40 30 20 10 0 10 20 30 40 50 60 70 80 90 100 110 120 130



Rev. Sheet 2-26-07

130 120 110 100 90 80 70 60 50 40 30 20 10 0 10 20 30 40 50 60 70 80 90 100 110 120 130