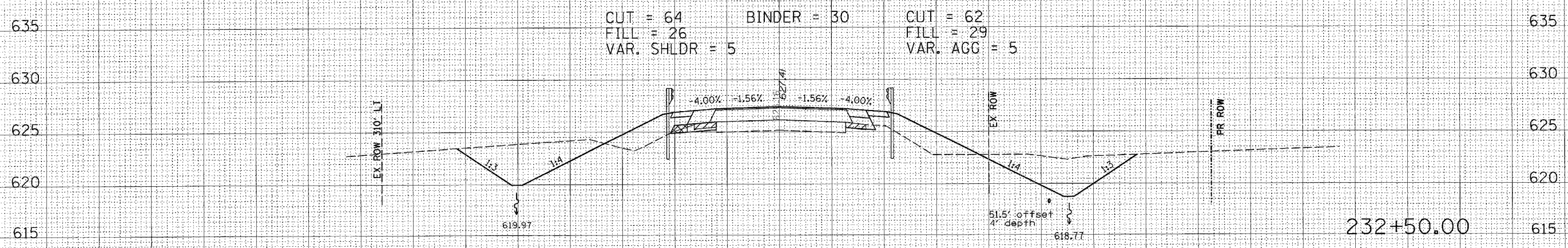
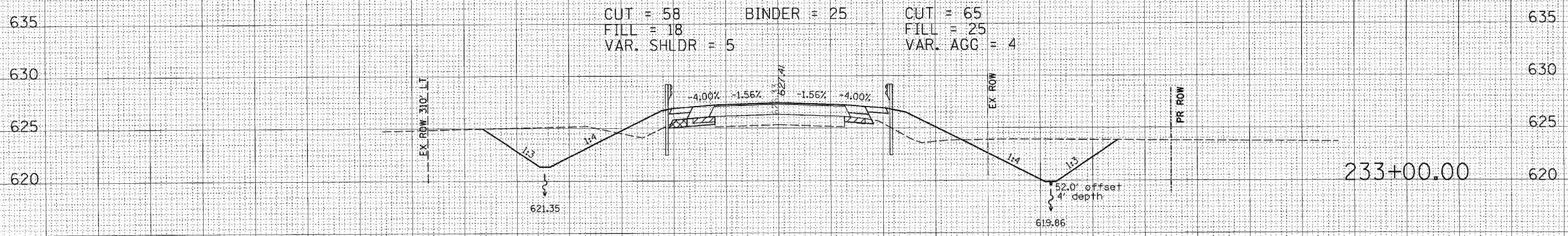


130 120 110 100 90 80 70 60 50 40 30 20 10 0 10 20 30 40 50 60 70 80 90 100 110 120 130

F.A.P. RTE.	SECTION	COUNTY	TOTAL SHEETS	SHEET NO.
753	139B-1	SANGAMON	39	34
STA.		TO STA.		
FED. ROAD DIST. NO.		ILLINOIS	FED. AID PROJECT	



130 120 110 100 90 80 70 60 50 40 30 20 10 0 10 20 30 40 50 60 70 80 90 100 110 120 130

Rev. Sheet 2-26-07

DATE PLOTTED: _____
 SCALE: _____
 CHECKED BY: _____
 NO. _____

DATE PLOTTED: _____
 SCALE: _____
 CHECKED BY: _____
 NO. _____