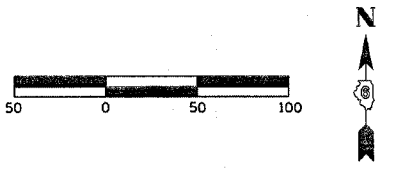
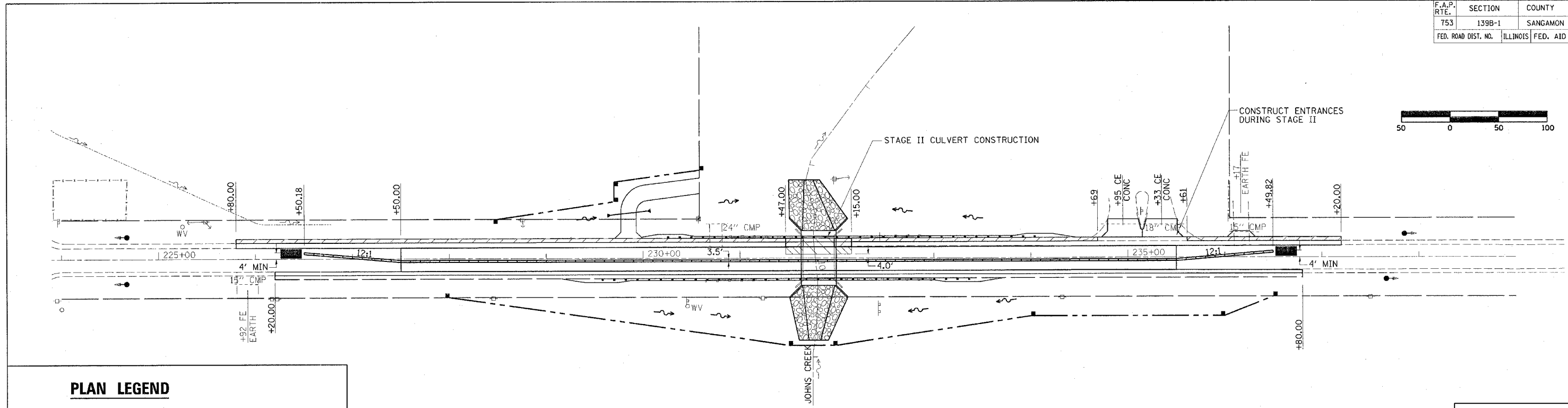


F.A.P. RTE.	SECTION	COUNTY	TOTAL SHEETS	SHEET NO.
753	139B-1	SANGAMON	39	9
FED. ROAD DIST. NO.		ILLINOIS	FED. AID PROJECT	



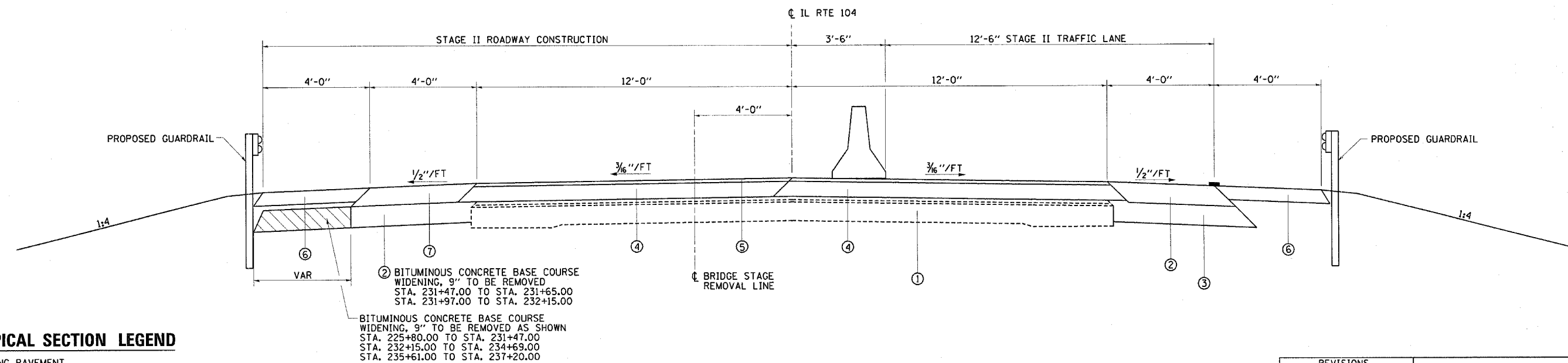
PLAN LEGEND

- AGGREGATE BASE COURSE, TYPE B
- PAVEMENT REMOVAL
- BRIDGE REMOVAL
- BASE COURSE WIDENING REMOVAL (PAID FOR AS "PAVEMENT REMOVAL")
- IMPACT ATTENUATOR
- TRAFFIC SIGNAL

NOTES:

1. SEE CULVERT PLANS FOR CULVERT STAGE CONSTRUCTION DETAILS.
2. SEE STANDARD 701321 (SPECIAL) FOR ADDITIONAL DETAILS OF TRAFFIC CONTROL.
3. THIS WORK IS TO BE PAID FOR AS STANDARD 701321 (SPECIAL).

STAGE II PLAN



TYPICAL SECTION LEGEND

- ① EXISTING PAVEMENT
- ② HOT-MIX ASPHALT BASE COURSE WIDENING, 9"
- ③ AGGREGATE BASE COURSE, TYPE B, (VARIABLE DEPTH)
- ④ HOT-MIX ASPHALT BINDER COURSE, IL 19.0, NS0, (VARIABLE DEPTH)
- ⑤ HOT-MIX ASPHALT SURFACE COURSE, MIX C, N 50, (1 1/2")
- ⑦ BITUMINOUS SHOULDERS, SUPERPAVE, (VARIABLE DEPTH)

② BITUMINOUS CONCRETE BASE COURSE WIDENING, 9" TO BE REMOVED STA. 231+47.00 TO STA. 231+65.00 STA. 231+97.00 TO STA. 232+15.00

BITUMINOUS CONCRETE BASE COURSE WIDENING, 9" TO BE REMOVED AS SHOWN STA. 225+80.00 TO STA. 231+47.00 STA. 232+15.00 TO STA. 234+69.00 STA. 235+61.00 TO STA. 237+20.00

STAGE II TYPICAL SECTION

NOTE: SEE TYPICAL SECTION 2, SHEET 5 FOR PAVEMENT AND SHOULDERS OVER NEW BOX CULVERT.

REVISIONS	
NAME	DATE

ILLINOIS DEPARTMENT OF TRANSPORTATION

STAGE II CONSTRUCTION

DATE 1/2004

DRAWN BY RJC
CHECKED BY SJK