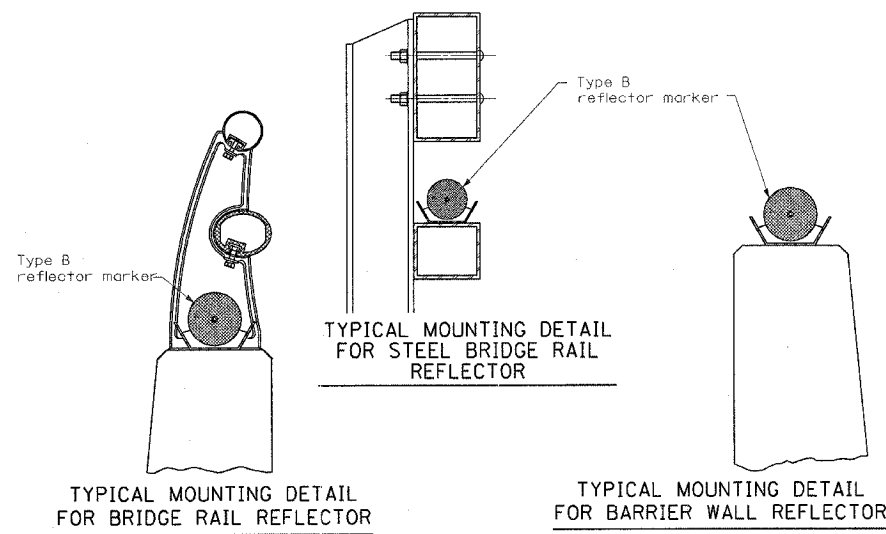
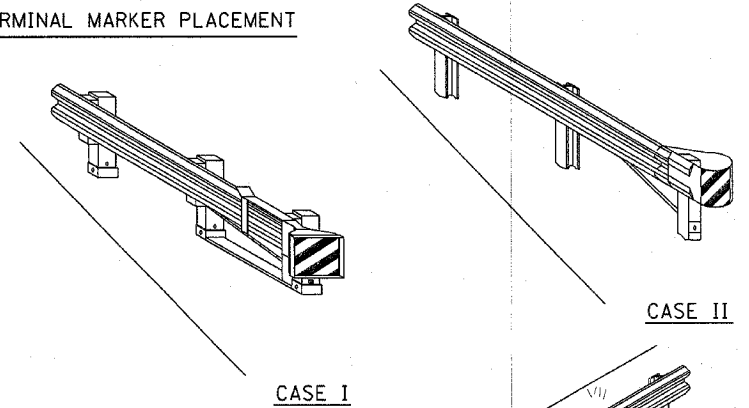
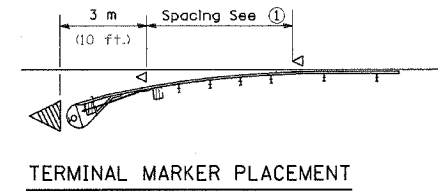
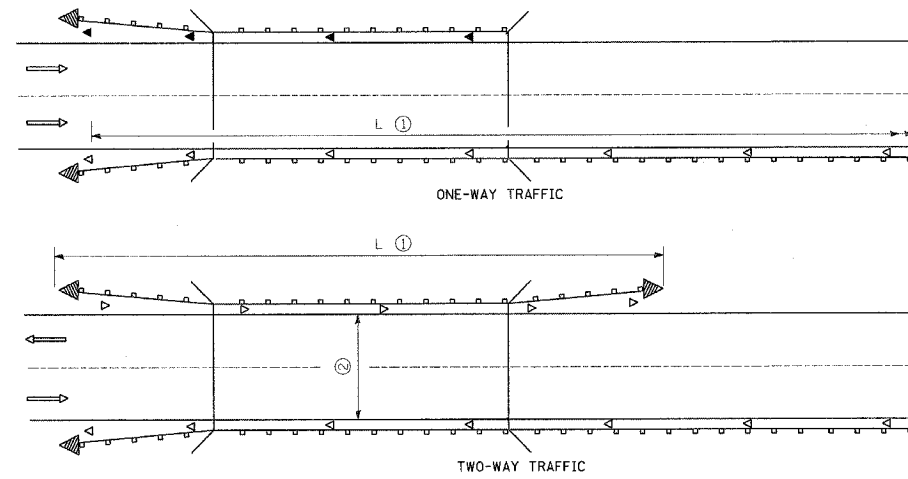


F.A.P. RTE.	SECTION	COUNTY	TOTAL SHEETS	SHEET NO.
753	139B-1	SANGAMON	39	23
FED. ROAD DIST. NO.		ILLINOIS FED. AID PROJECT		



**REFLECTOR MOUNTING**



① THE NUMBER OF REFLECTORS WILL BE CALCULATED AS:

$$\text{NUMBER OF REFLECTORS} = \frac{L - 6}{24} + 1 \text{ (L IS IN METERS) (ROUND UP)}$$

$$\text{NUMBER OF REFLECTORS} = \frac{L - 20}{80} + 1 \text{ (L IS IN FEET) (ROUND UP)}$$

THE SPACING OF REFLECTORS WILL BE CALCULATED AS:

$$\text{SPACING} = \frac{L - 6}{(\text{NUMBER OF REFLECTORS} - 1)} \text{ (L IS IN METERS)}$$

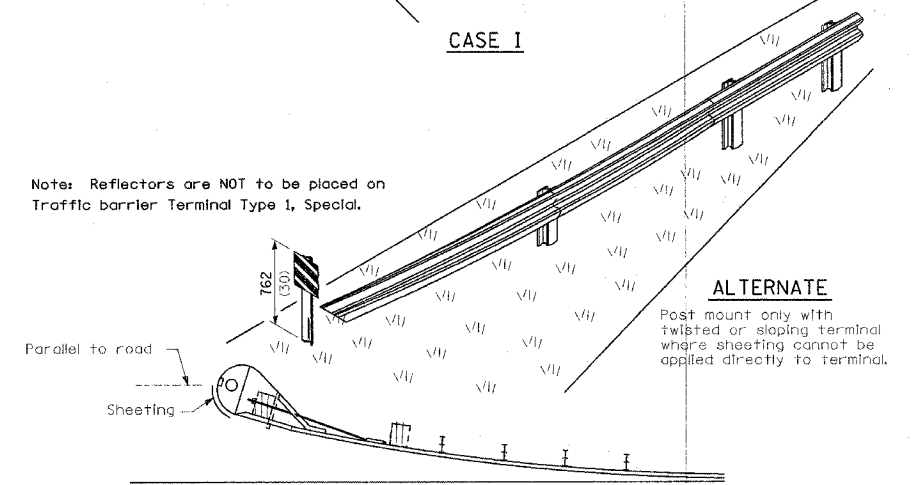
$$\text{SPACING} = \frac{L - 20}{(\text{NUMBER OF REFLECTORS} - 1)} \text{ (L IS IN FEET)}$$

WITH MAXIMUM SPACING OF 24 m (80 ft.)

GUARDRAIL LOCATED ON A CURVE WITH A RADIUS OF LESS THAN 230 m (750 ft.) THE SPACING WILL BE SHOWN AS ON STANDARD 635001 OR LESS.

- ② Bidirectional silver/silver should be used in lieu of monodirectional silver on both sides of two-lane/two-way bridges where the pavement is less than 610 (24) wider than the pavement approaching the bridge.
- ◁ Monodirectional silver
  - ◄ Monodirectional amber
  - ◄ Terminal Marker - Black/Yellow Left or Right as appropriate

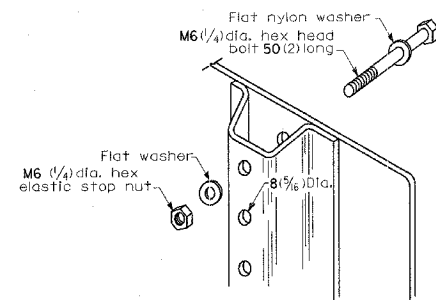
Note: Reflectors are NOT to be placed on Traffic barrier Terminal Type 1, Special.



**SHEETING POSITION**

All dimensions are in millimeters (inches) unless otherwise shown.

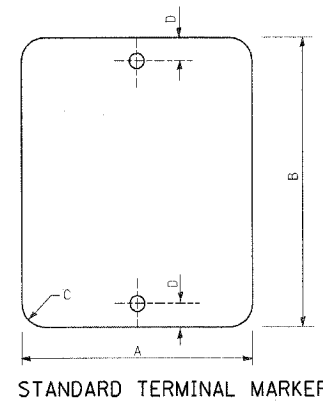
**GUARDRAIL / BARRIER WALL / BRIDGE RAIL REFLECTORS**



**DETAIL OF MOUNTING TERMINAL MARKER TO POST**

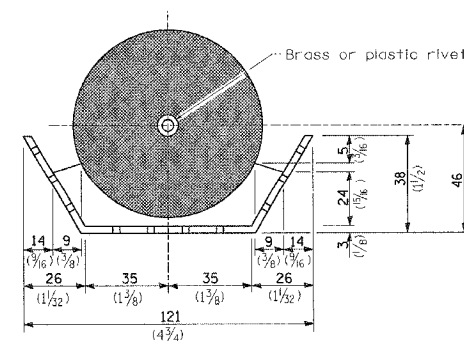
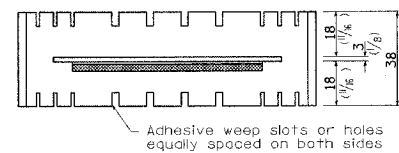
SIGN SIZE	DIMENSIONS			
	A	B	C	D
305x406 (12x16)	305 (12.0)	406 (16.0)	38 (1.5)	50 (2.0)

**POST MOUNTED TERMINAL MARKER ASSEMBLY**

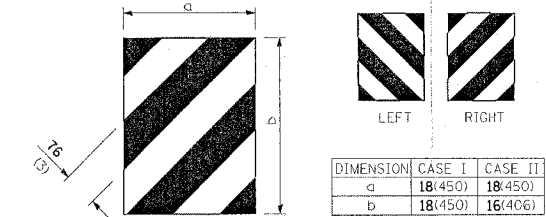


**STANDARD TERMINAL MARKER**

General Note: All dimensions shown are minimum.



**REFLECTOR MARKER, TYPE B**



**TERMINAL MARKER DETAILS**  
Color: Black / Yellow reflectorized

REVISIONS	
NAME	DATE

ILLINOIS DEPARTMENT OF TRANSPORTATION

**DISTRICT SIX REFLECTOR AND TERMINAL MARKER PLACEMENT**

SCALE: NONE  
DATE: 2/2004

DRAWN BY D6  
CHECKED BY BWC