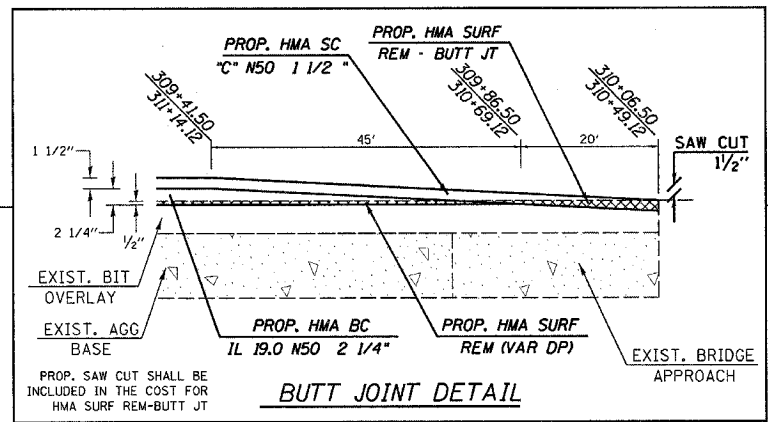
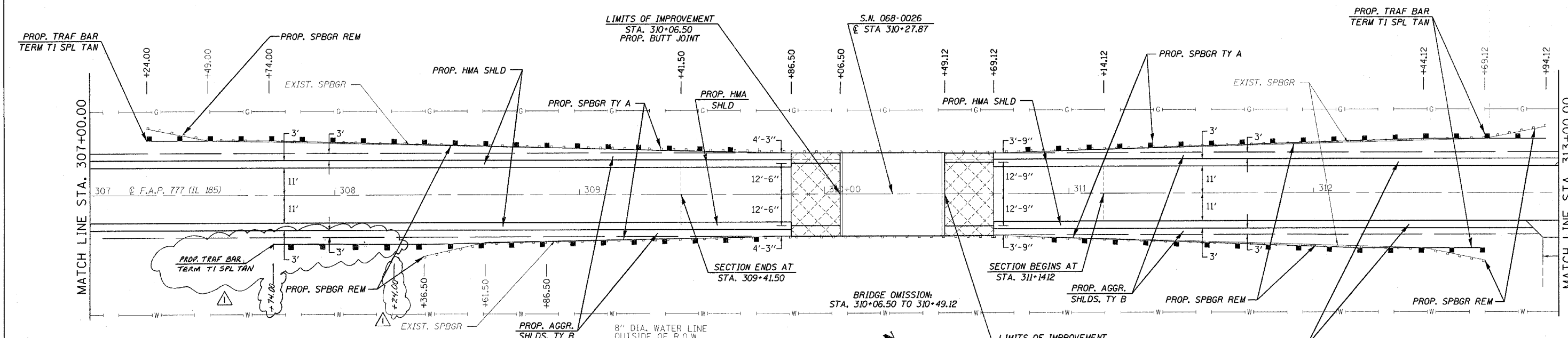
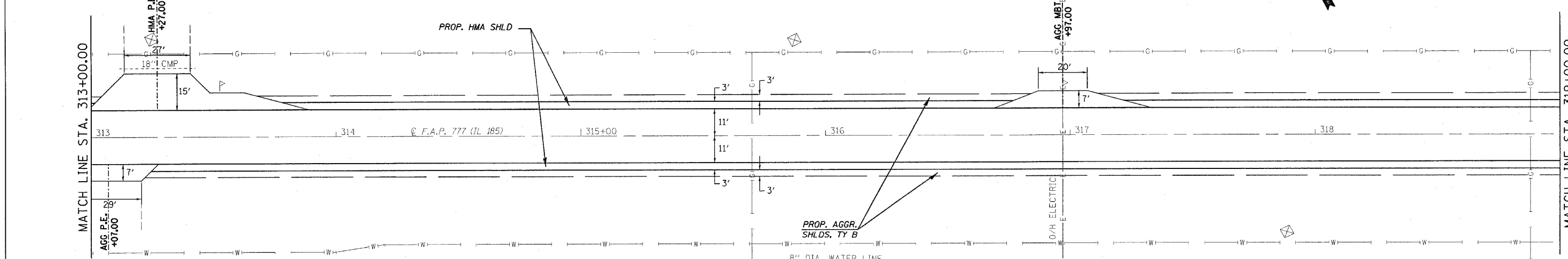


CONTRACT NO. 72693

F.A.P. RTE.	SECTION	COUNTY	TOTAL SHEETS	SHEET NO.
777	405RS-8	MONTGOMERY	75	39
STA. 307+00.00		TO STA. 319+00.00		
FED. ROAD DIST. NO.	ILLINOIS	FED. AID PROJECT		



- PROP. SPBGR TY A FR.:  
 STA. 308+86.50 TO 309+86.50 (RT)  
 STA. 310+69.12 TO 312+19.12 (RT)  
 STA. 307+74.00 TO 309+86.50 (LT)  
 STA. 310+69.12 TO 312+44.12 (LT)
- PROP. TRAF BAR TERM TI SPL TAN FR.:  
 STA. 308+36.50 TO 308+86.50 (RT)  
 STA. 312+19.12 TO 312+69.12 (RT)  
 STA. 307+24.00 TO 307+74.00 (LT)  
 STA. 312+44.12 TO 312+94.12 (LT)



REVISIONS	
NAME	DATE

ILLINOIS DEPARTMENT OF TRANSPORTATION  
**PLAN VIEW**  
 F.A.U. Route 777 (IL 185)  
 Section 405RS-4  
 MONTGOMERY COUNTY  
 SCALE: VERT. \_\_\_\_\_  
 HORIZ. \_\_\_\_\_  
 DATE: FEBRUARY 22, 2006  
 DRAWN BY: JWC  
 CHECKED BY: RSC

PLOT DATE = 12/9/2006  
 FILE NAME = D:\projects\777\777.dgn  
 USER NAME = jwc