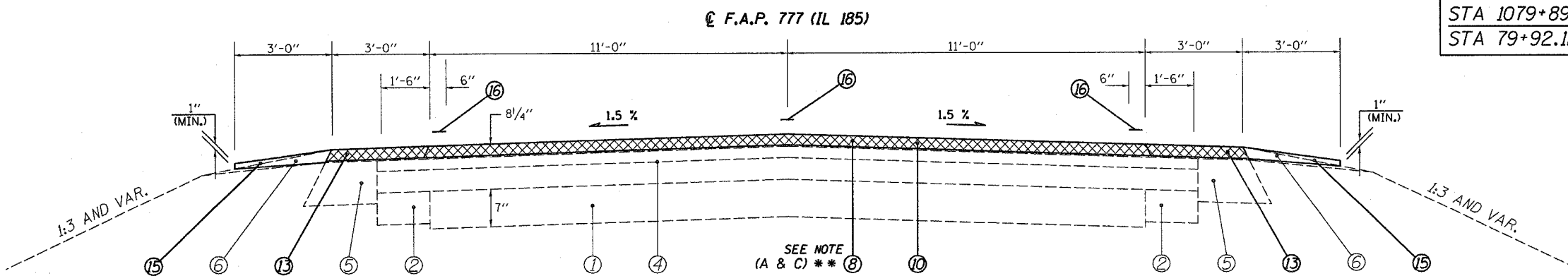


CONTRACT NO. 72693

F.A.P. RTE.	SECTION	COUNTY	TOTAL SHEETS	SHEET NO.
777	405RS-4	MONTGOMERY	75	4
STA. 1079+80.07 TO STA. 359+46.68		FED. ROAD DIST. NO. ILLINOIS FED. AID PROJECT		

STA EQN #1
STA 1079+89.56 (BK) =
STA 79+92.12 (AH)



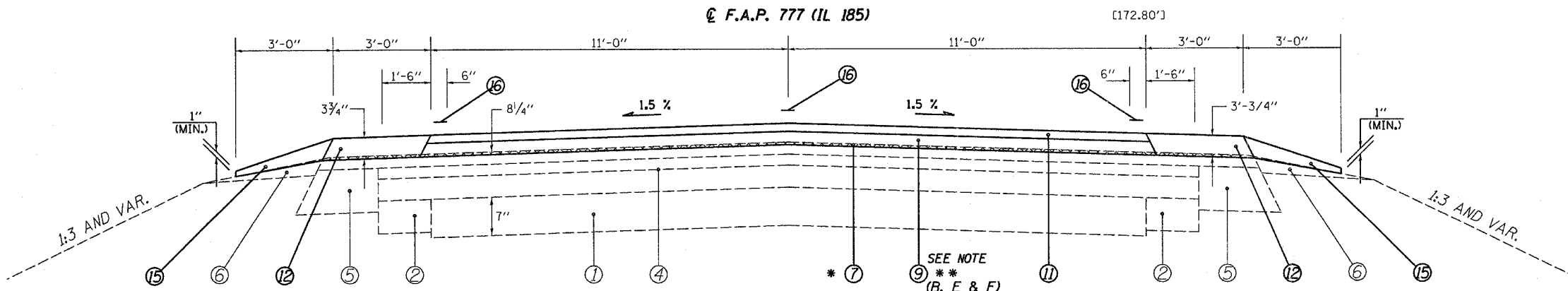
STA 1079+80.07 TO STA 1079+86.50 [6.52']
 STA 79+92.12 TO STA 84+30.00 [437.88'] SEE NOTE (A) **
 STA 120+35.00 TO STA 122+07.80 [172.80'] SEE NOTE (C) **
 STA 127+07.20 TO STA 127+65.00 [57.80'] SEE NOTE (A) **

BRIDGE OMISSION
 S.N.: 068-0026
 STA 310+06.50
 STA 310+49.12

LEGEND

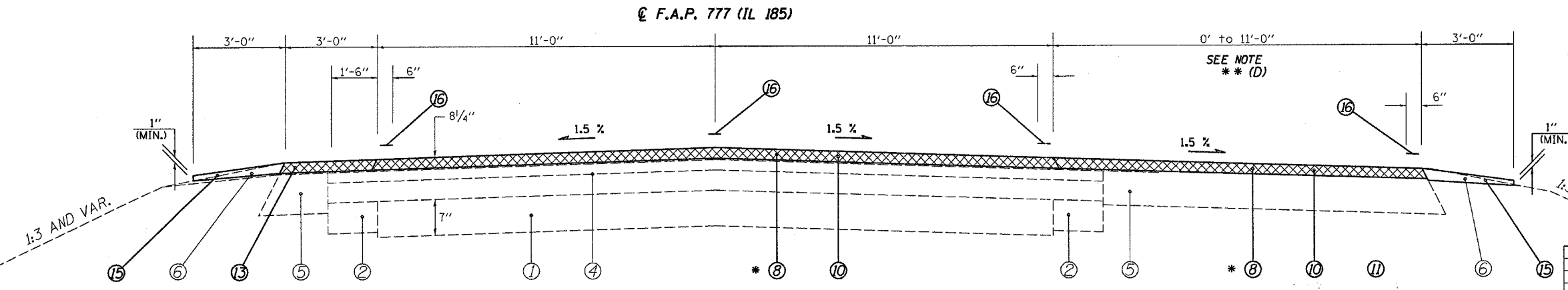
- ① EXIST. AGGREGATE BASE COURSE
- ② EXIST. BITUMINOUS BASE COURSE WIDENING 6"
- ③ EXIST. BITUMINOUS BASE COURSE WIDENING 9"
- ④ EXIST. BITUMINOUS OVERLAY
- ⑤ EXIST. BITUMINOUS SHOULDERS
- ⑥ EXIST. AGGREGATE SHOULDER, TYPE B
- ⑦ PROP. HOT-MIX ASPHALT SURFACE REMOVAL (VAR. DEPTH) *
- ⑧ PROP. HOT-MIX ASPHALT SURFACE REMOVAL, 2"
- ⑨ PROP. HOT-MIX ASPHALT BINDER COURSE, IL-19.0, N50 2 1/4"
- ⑩ PROP. HOT-MIX ASPHALT SURFACE COURSE, MIX "C", N50 2"
- ⑪ PROP. HOT-MIX ASPHALT SURFACE COURSE, MIX "C", N50 1 1/2"
- ⑫ PROP. HOT-MIX ASPHALT SHOULDERS
- ⑬ PROP. HOT-MIX ASPHALT SHOULDERS, 2"
- ⑭ PROP. HOT-MIX ASPHALT SHOULDERS, 8"
- ⑮ PROP. AGGREGATE SHOULDERS, TYPE B
- ⑯ PROP. PAINT PAVEMENT MARKING - LINE 5"
- ⑰ PROP. THERMOPLASTIC PAVEMENT MARKING - LINE 5"

* NOMINAL MILLING DEPTH 1/2" @ 1'



STA 84+30.00 TO STA 120+35.00 [3,605.0'] SEE NOTE (B) **
 STA 127+65.00 TO STA 309+36.50 [18,171.50'] SEE NOTE (E) **
 STA 311+19.12 TO STA 319+66.33 [847.21'] SEE NOTE (F) **
 STA 325+56.31 TO STA 359+46.68 [3,390.37']

- ** NOTE:**
- (A) MILLING VAR DP THICKNESS VARIES FR. 0.5" TO 2" FR. STA 84+00.00 TO 84+30.00 AND FR. STA 127+35.00 TO 127+65.00.
 - (B) HMA BIND. CSE. THICKNESS VARIES FR. 0.75" TO 2.5" FR. STA 84+30.00 TO 84+65.00 AND FR. STA 120+00.00 TO 120+35.00
 - (C) MILLING VAR DP THICKNESS VARIES FR. 0.5" TO 2" FR. STA 120+35.00 TO 120+65.00
 - (D) TURN LANE VARIES FR. 0' TO 11'-0" FR. STA. 121+07.80 TO 124+00.00
 - (E) HMA BIND. CSE. THICKNESS VARIES FR. 2.5" TO 0.75" FR. STA 127+65.00 TO 128+00.00
 - (F) HMA BIND. CSE. THICKNESS TAPERS FR. 2.5" TO 0 FR. STA 309+36.50 TO 309+86.50 AND FR. 0 TO 2.5" FR. STA 310+69.12 TO 311+19.12 AT BRIDGE.



STA 122+07.80 TO STA 127+07.20 [499.40']

REVISIONS	
NAME	DATE

ILLINOIS DEPARTMENT OF TRANSPORTATION
TYPICAL SECTIONS
 F.A.P. Route 777 (IL 185)
 Section 405RS-4
 MONTGOMERY COUNTY

VERT. SCALE: DRAWN BY: JWC
 HORIZ. SCALE: CHECKED BY: RSC
 DATE DECEMBER 12, 2005

c:\projects\ad566802\typicals.dgn
 12/8/2006
 REF 01