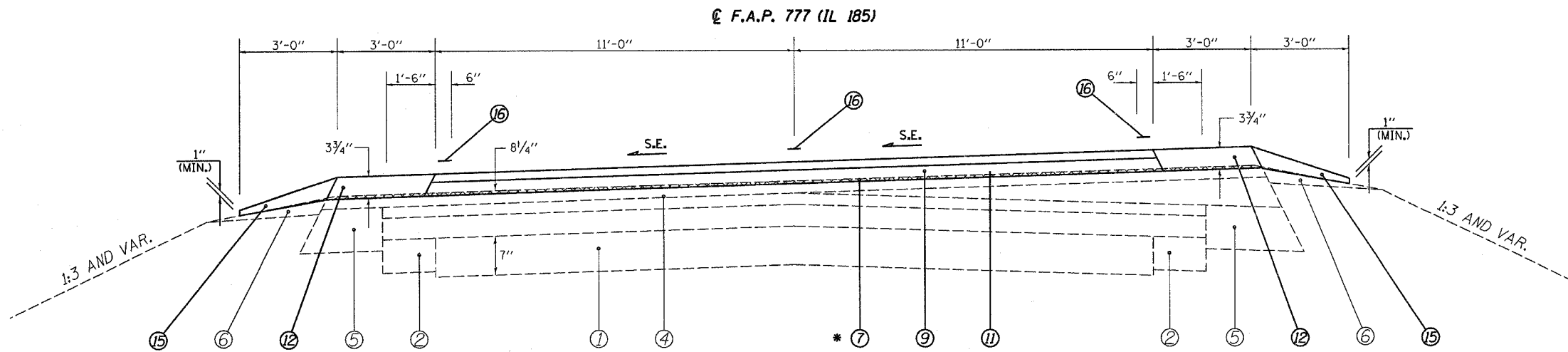


CONTRACT NO. 72693

F.A.P. RTE.	SECTION	COUNTY	TOTAL SHEETS	SHEET NO.
777	405RS-4	MONTGOMERY	75	5
STA. 319+66.33		TO STA. 386+49.30		
FED. ROAD DIST. NO.		ILLINOIS FED. AID PROJECT		

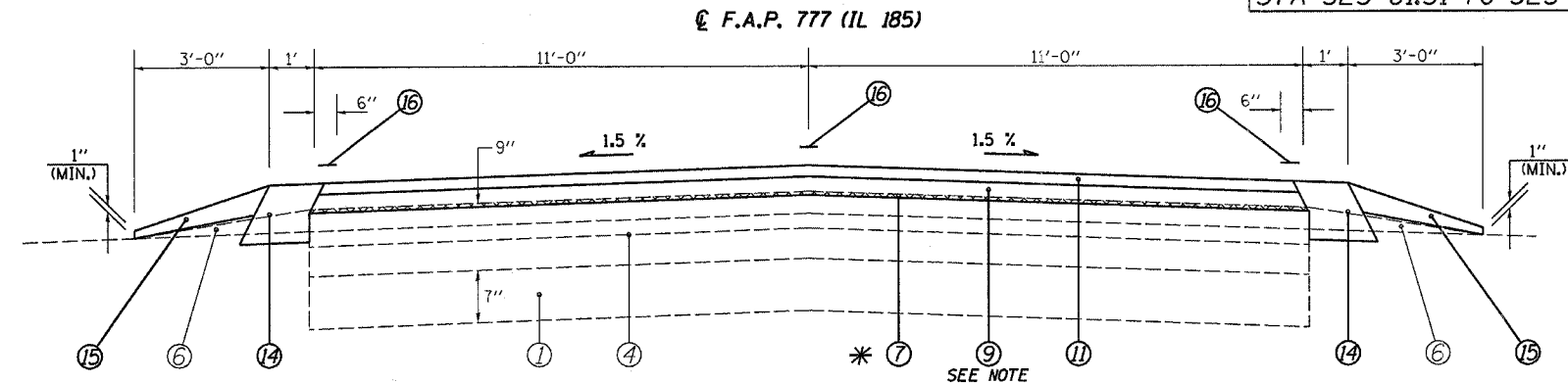


STA 319+66.33 TO STA 325+56.31 [589.98']

FULL S.E.: (S.E.#1 = X.X%)
 STA 321+41.33 TO 323+81.31
 S.E. TRANSITION:
 STA 319+66.34 TO 321+41.33
 STA 323+81.31 TO 325+56.31

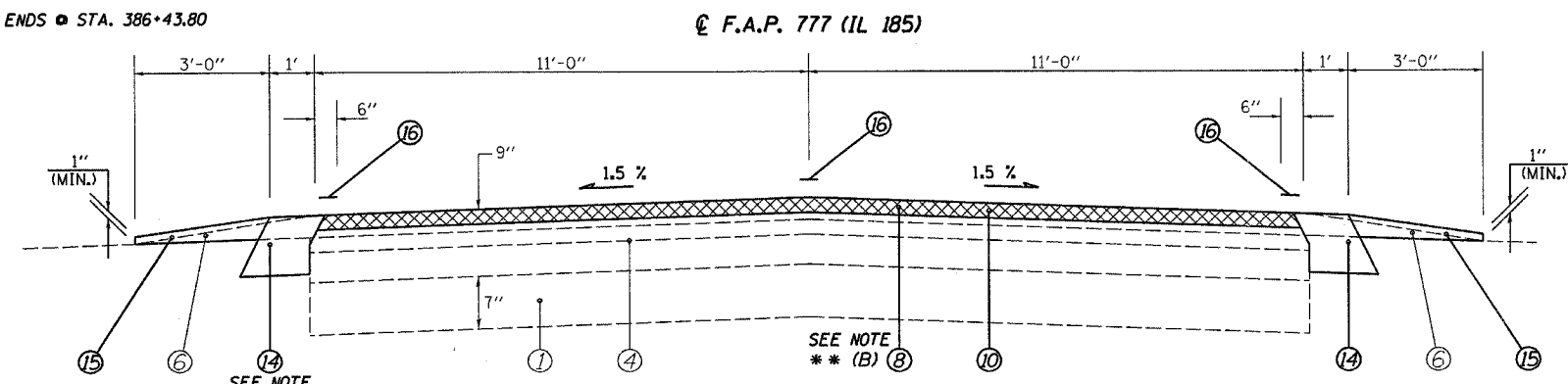
- LEGEND**
- ① EXIST. AGGREGATE BASE COURSE
 - ② EXIST. BITUMINOUS BASE COURSE WIDENING 6"
 - ③ EXIST. BITUMINOUS BASE COURSE WIDENING 9"
 - ④ EXIST. BITUMINOUS OVERLAY
 - ⑤ EXIST. BITUMINOUS SHOULDERS
 - ⑥ EXIST. AGGREGATE SHOULDER, TYPE B
 - ⑦ PROP. HOT-MIX ASPHALT SURFACE REMOVAL (VAR. DEPTH)*
 - ⑧ PROP. HOT-MIX ASPHALT SURFACE REMOVAL, 2"
 - ⑨ PROP. HOT-MIX ASPHALT BINDER COURSE, IL-19.0, N50 2 1/4"
 - ⑩ PROP. HOT-MIX ASPHALT SURFACE COURSE, MIX "C", N50 2"
 - ⑪ PROP. HOT-MIX ASPHALT SURFACE COURSE, MIX "C", N50 1 1/2"
 - ⑫ PROP. HOT-MIX ASPHALT SHOULDERS
 - ⑬ PROP. HOT-MIX ASPHALT SHOULDERS, 2"
 - ⑭ PROP. HOT-MIX ASPHALT SHOULDERS, 8"
 - ⑮ PROP. AGGREGATE SHOULDERS, TYPE B
 - ⑯ PROP. PAINT PAVEMENT MARKING - LINE 5"
 - ⑰ PROP. THERMOPLASTIC PAVEMENT MARKING - LINE 5"

* NOMINAL MILLING DEPTH 1/2" @ ⑦



STA 359+46.68 TO STA 362+00.00 [253.32']

- ** NOTE:**
- (A) HMA BIND. CSE. THICKNESS VARIES FR. 2.5" TO 0.75" FR. STA 361+65.00 TO 362+00.00
 - (B) MILLING THICKNESS TAPERS FR. 0.5" TO 2" FR. STA 362+00.00 TO 362+30.00
 - (C) 1' HMA SHLDR 8" ENDS @ STA. 386+43.80



STA 362+00.00 TO STA 386+49.30 [2,449.30']

REVISIONS		ILLINOIS DEPARTMENT OF TRANSPORTATION
NAME	DATE	
		TYPICAL SECTIONS F.A.P. Route 777 (IL 185) Section 405RS-4 MONTGOMERY COUNTY VERT. SCALE: DRAWN BY: JWC HORIZ. SCALE: CHECKED BY: RSC DATE DECEMBER 12, 2005

c:\projects\0656802\typical.dgn
 12/6/2006
 REF 01