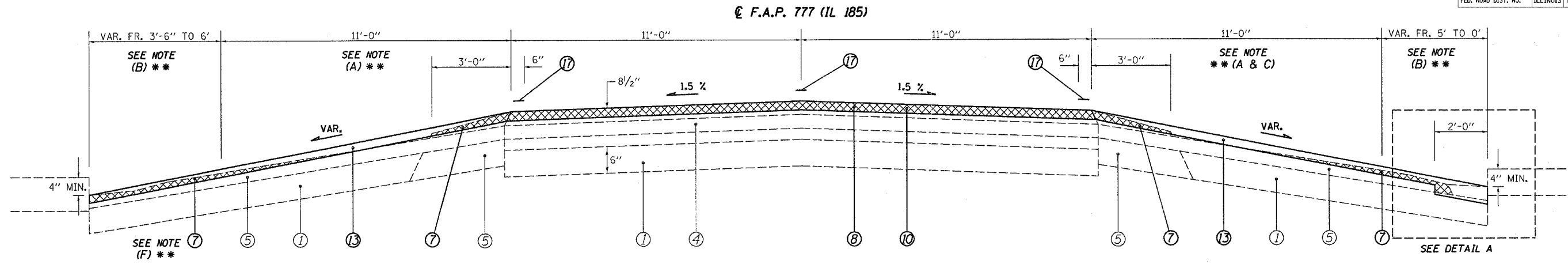


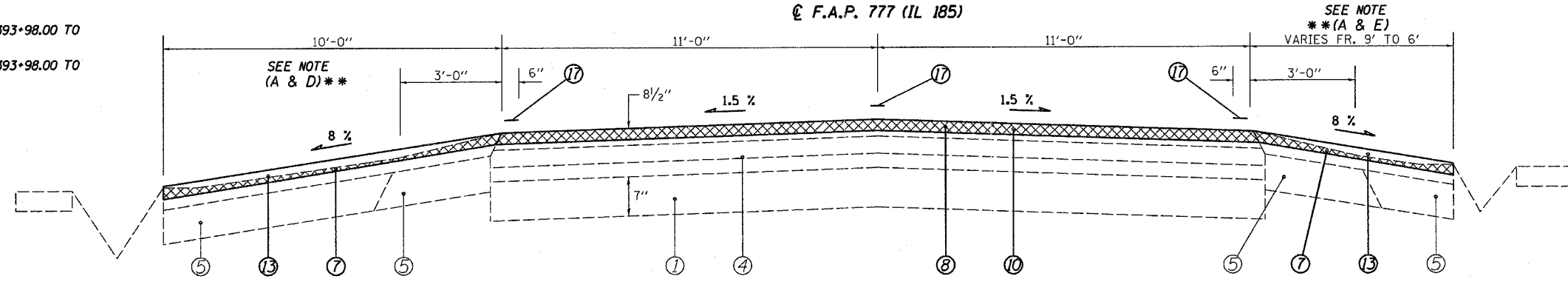
CONTRACT NO. 72693

F.A.P. RTE.	SECTION	COUNTY	TOTAL SHEETS	SHEET NO.
777	405RS-4	MONTGOMERY	75	7
STA. 391+12.00		TO STA. 394+91.30		
FED. ROAD DIST. NO.		ILLINOIS FED. AID PROJECT		



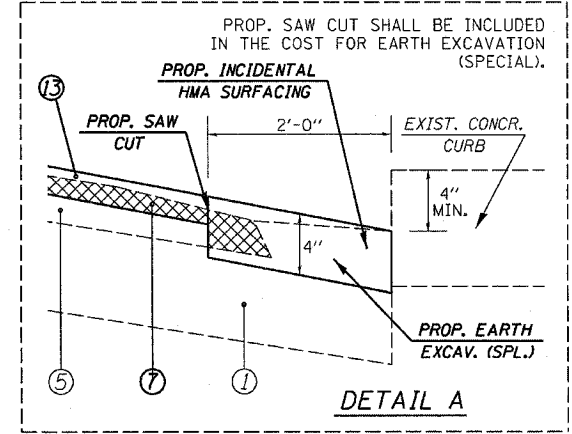
STA 391+12.00 TO 393+58.00 [246']

- \*\* NOTE:**
- (A) PARKING LANE 50% STATE/50% CITY OF COFFEEN
  - (B) PARKING LANE 100% CITY OF COFFEEN
  - (C) PARKING LANE VARIES FR. 11' TO 9' FR. STA. 393+39.50 TO 393+58.00 (RT)
  - (D) 10' HMA SHOULDER STARTS @ STA. 394+91.27 TO 395+01.27 (LT)
  - (E) 6' HMA SHOULDER STARTS @ STA. 393+98.00 TO 394+45.00 (RT)
  - (F) 6' HMA SHOULDER STARTS @ STA. 393+98.00 TO 394+45.00 (RT)



STA 393+58.00 TO 394+91.30 [133.30']

**RAILROAD OMISSION**  
STA 395+01.30 TO 395+10.40



LEGEND	
①	EXIST. AGGREGATE BASE COURSE
②	EXIST. BITUMINOUS BASE COURSE WIDENING 6"
③	EXIST. BITUMINOUS BASE COURSE WIDENING 9"
④	EXIST. BITUMINOUS OVERLAY
⑤	EXIST. BITUMINOUS SHOULDERS
⑥	EXIST. AGGREGATE SHOULDER, TYPE B
⑦	PROP. HOT-MIX ASPHALT SURFACE REMOVAL (VAR.DEPTH) *
⑧	PROP. HOT-MIX ASPHALT SURFACE REMOVAL, 2"
⑨	PROP. HOT-MIX ASPHALT BINDER COURSE, IL-19.0, N50 2 1/4"
⑩	PROP. HOT-MIX ASPHALT SURFACE COURSE, MIX "C", N50 2"
⑪	PROP. HOT-MIX ASPHALT SURFACE COURSE, MIX "C", N50 1 1/2"
⑫	PROP. HOT-MIX ASPHALT SHOULDERS
⑬	PROP. HOT-MIX ASPHALT SHOULDERS, 2"
⑭	PROP. HOT-MIX ASPHALT SHOULDERS, 8"
⑮	PROP. AGGREGATE SHOULDERS, TYPE B
⑯	PROP. PAINT PAVEMENT MARKING - LINE 5"
⑰	PROP. THERMOPLASTIC PAVEMENT MARKING - LINE 5"

\* NOMINAL MILLING DEPTH 1/2" @ C

REVISIONS	
NAME	DATE

ILLINOIS DEPARTMENT OF TRANSPORTATION  
**TYPICAL SECTIONS**  
F.A.P. Route 777 (IL 185)  
Section 405RS-4  
MONTGOMERY COUNTY  
SCALE: VERT. HORIZ.  
DATE DECEMBER 12, 2005  
DRAWN BY: JWC  
CHECKED BY: RSC

c:\projects\0656802\typical.dgn  
 12/27/2006  
 \*REF01