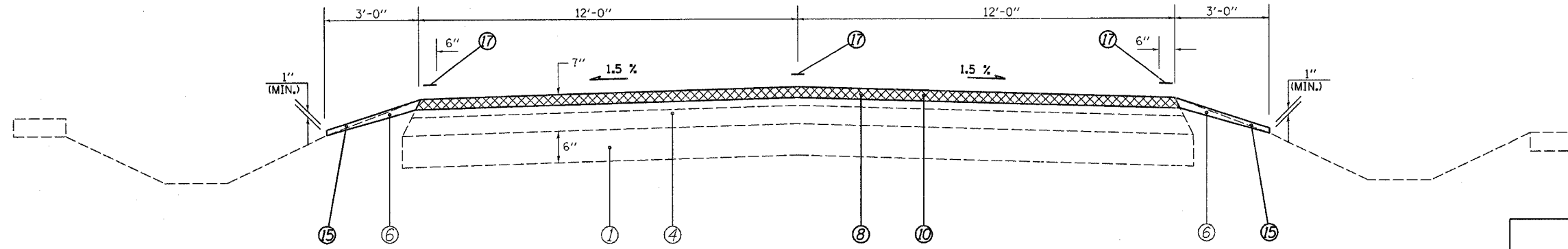


CONTRACT NO. 72693

F.A.P. RTE.	SECTION	COUNTY	TOTAL SHEETS	SHEET NO.
777	405RS-4	MONTGOMERY	75	8
STA. 389+20.40		TO STA. 399+56.50		
FED. ROAD DIST. NO.		ILLINOIS FED. AID PROJECT		

℄ F.A.P. 777 (IL 185)



RAILROAD OMISSION
STA 395+73.70 TO 395+82.70

STA 395+20.40 TO 395+31.53 [11.13']
STA 395+51.00 TO STA 395+63.70 [12.70']

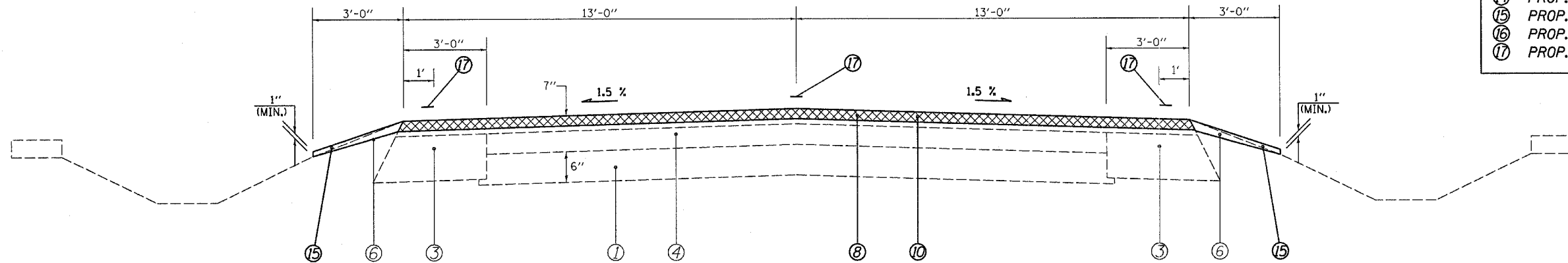
STA EQN #2
STA 395+31.53 (BK) =
STA 395+51.00 (AH)

LEGEND

- ① EXIST. AGGREGATE BASE COURSE
- ② EXIST. BITUMINOUS BASE COURSE WIDENING 6"
- ③ EXIST. BITUMINOUS BASE COURSE WIDENING 9"
- ④ EXIST. BITUMINOUS OVERLAY
- ⑤ EXIST. BITUMINOUS SHOULDERS
- ⑥ EXIST. AGGREGATE SHOULDER, TYPE B
- ⑦ PROP. HOT-MIX ASPHALT SURFACE REMOVAL (VAR. DEPTH)*
- ⑧ PROP. HOT-MIX ASPHALT SURFACE REMOVAL, 2"
- ⑨ PROP. HOT-MIX ASPHALT BINDER COURSE, IL-19.0, N50 2 1/4"
- ⑩ PROP. HOT-MIX ASPHALT SURFACE COURSE, MIX "C", N50 2"
- ⑪ PROP. HOT-MIX ASPHALT SURFACE COURSE, MIX "C", N50 1 1/2"
- ⑫ PROP. HOT-MIX ASPHALT SHOULDERS
- ⑬ PROP. HOT-MIX ASPHALT SHOULDERS, 2"
- ⑭ PROP. HOT-MIX ASPHALT SHOULDERS, 8"
- ⑮ PROP. AGGREGATE SHOULDERS, TYPE B
- ⑯ PROP. PAINT PAVEMENT MARKING - LINE 5"
- ⑰ PROP. THERMOPLASTIC PAVEMENT MARKING - LINE 5"

* NOMINAL MILLING DEPTH 1/2" @ ℄

℄ F.A.P. 777 (IL 185)



STA 395+92.70 TO 399+56.50 [363.80']

REVISIONS	
NAME	DATE

ILLINOIS DEPARTMENT OF TRANSPORTATION

TYPICAL SECTIONS

F.A.P. Route 777 (IL 185)
Section 405RS-4
MONTGOMERY COUNTY

SCALE: VERT. DRAWN BY: JWC
 HORIZ. CHECKED BY: RSC
DATE DECEMBER 12, 2005