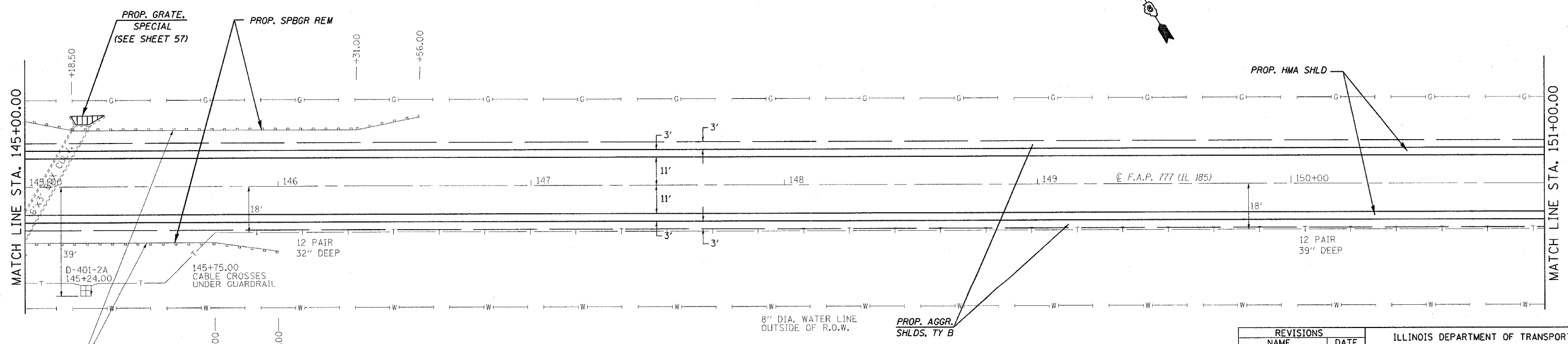
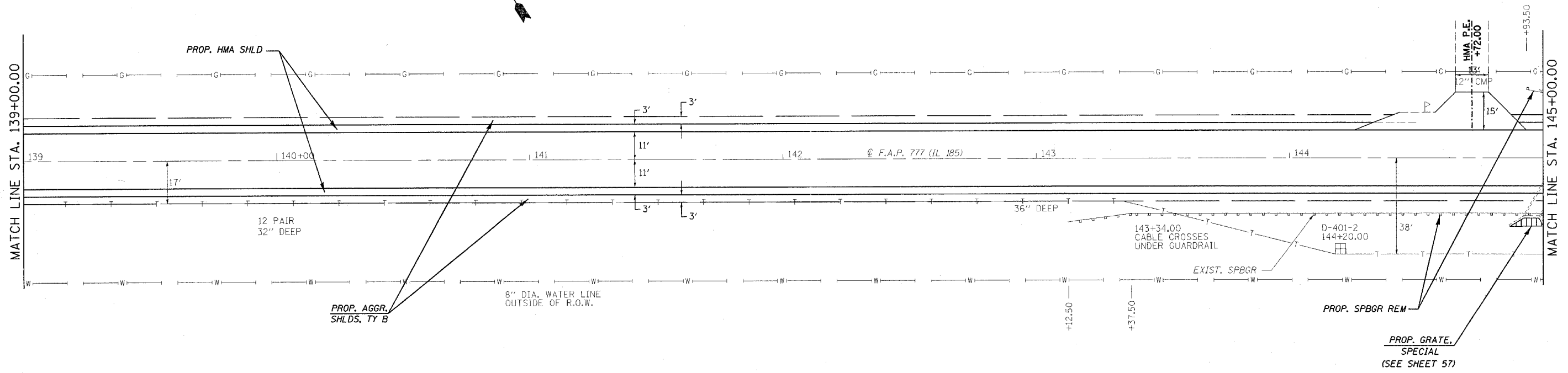


CONTRACT NO. 72693

F.A.P. RTE.	SECTION	COUNTY	TOTAL SHEETS	SHEET NO.
777	405RS-8	MONTGOMERY	75	25
STA. 139+00.00		TO STA. 151+00.00		
FED. ROAD DIST. NO.		ILLINOIS FED. AID PROJECT		



PLOT DATE = 12/8/2006  
 FILE NAME = c:\projects\656802\shiplan1.dgn  
 PLOT SCALE = 26.0000 / IN.  
 USER NAME = cdx

D6 PROJECT: D656802 FILE: SHTPLAN1.DGN

REVISIONS	
NAME	DATE

ILLINOIS DEPARTMENT OF TRANSPORTATION

**PLAN VIEW**

F.A.U. Route 777 (IL 185)  
 Section 405RS-4  
 MONTGOMERY COUNTY

SCALE: VERT.      DRAWN BY: JWC  
 HORIZ.              CHECKED BY: RSC  
 DATE: FEBRUARY 22, 2006