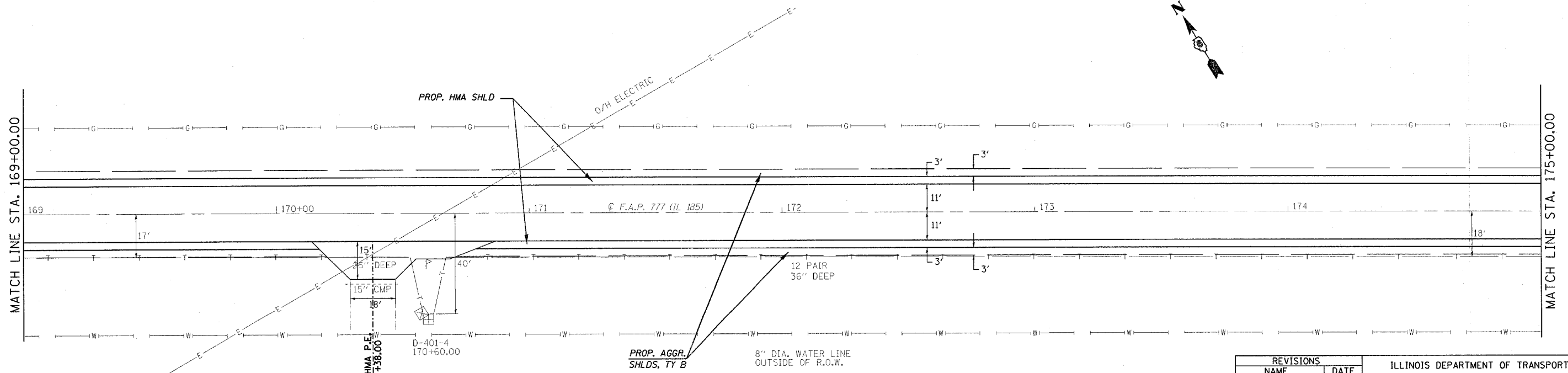
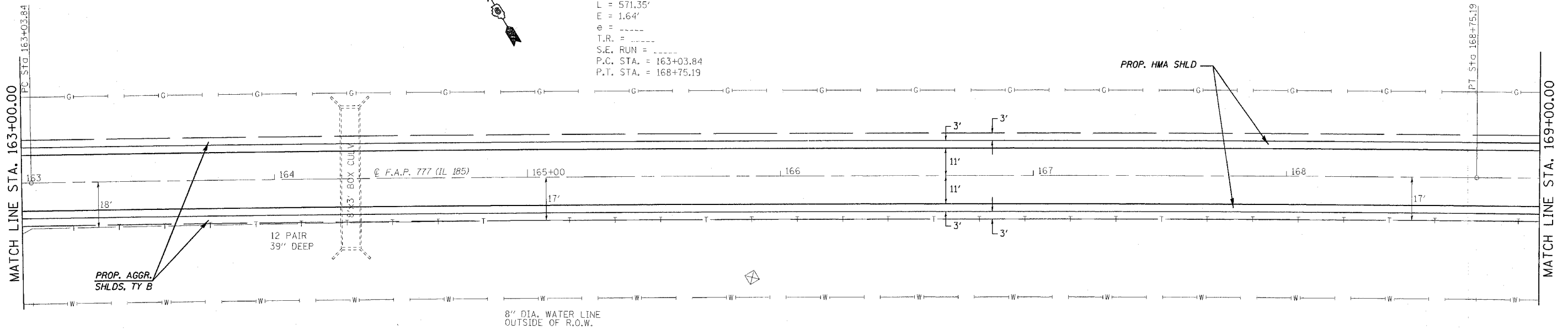


CONTRACT NO. 72693

F.A.P. RTE.	SECTION	COUNTY	TOTAL SHEETS	SHEET NO.
777	405RS-8	MONTGOMERY	75	27
STA. 163+00.00		TO STA. 175+00.00		
FED. ROAD DIST. NO.		ILLINOIS FED. AID PROJECT		

EXIST. CURVE CURVES  
 PI STA. = 165+89.53  
 $\Delta = 1^\circ 18' 50''$  (RT)  
 $D = 0^\circ 13' 48''$   
 $R = 24,915.27'$   
 $T = 285.69'$   
 $L = 571.35'$   
 $E = 1.64'$   
 $e = \text{---}$   
 $T.R. = \text{---}$   
 $S.E. RUN = \text{---}$   
 P.C. STA. = 163+03.84  
 P.T. STA. = 168+75.19



REVISIONS	
NAME	DATE

ILLINOIS DEPARTMENT OF TRANSPORTATION  
**PLAN VIEW**  
 F.A.U. Route 777 (IL 185)  
 Section 405RS-4  
 MONTGOMERY COUNTY  
 SCALE: VERT. \_\_\_\_\_  
 HORIZ. \_\_\_\_\_  
 DATE: FEBRUARY 22, 2006  
 DRAWN BY: JWC  
 CHECKED BY: RSC

PLOT DATE = 12/8/2006  
 FILE NAME = c:\projects\6656802\shiplan1.dgn  
 PLOT SCALE = 20.0000 / 1 IN.  
 USER NAME = coxjm