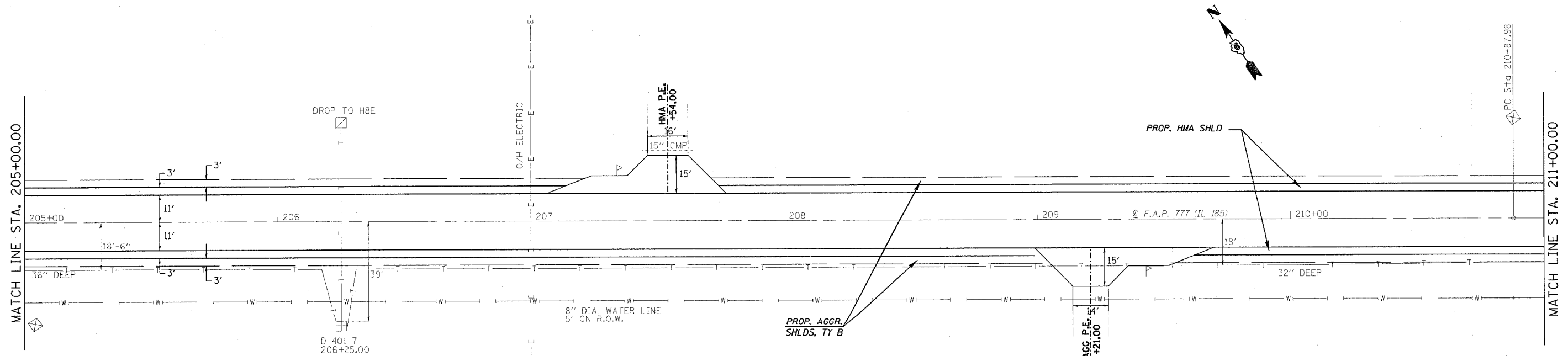
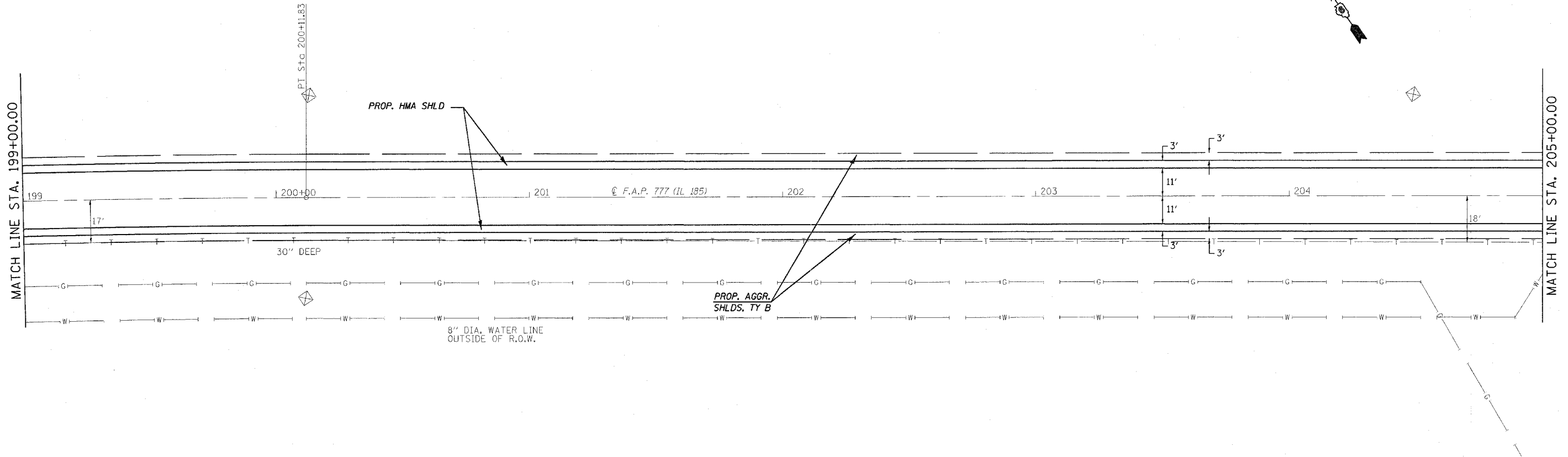
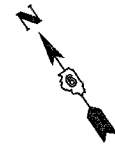


CONTRACT NO. 72693

F.A.P. RTE.	SECTION	COUNTY	TOTAL SHEETS	SHEET NO.
777	405RS-8	MONTGOMERY	75	30
STA. 199+00.00		TO STA. 211+00.00		
FED. ROAD DIST. NO.		ILLINOIS FED. AID PROJECT		



REVISIONS	
NAME	DATE

ILLINOIS DEPARTMENT OF TRANSPORTATION

PLAN VIEW

F.A.U. Route 777 (IL 185)
Section 405RS-4
MONTGOMERY COUNTY

SCALE: VERT. _____
HORIZ. _____
DATE: FEBRUARY 22, 2006

DRAWN BY: JWC
CHECKED BY: RSC

PLOT DATE = 12/8/2006
FILE NAME = c:\projects\4656582\shiplan1.dgn
PLOT SCALE = 20.0000' / 1"
USER NAME = cojw