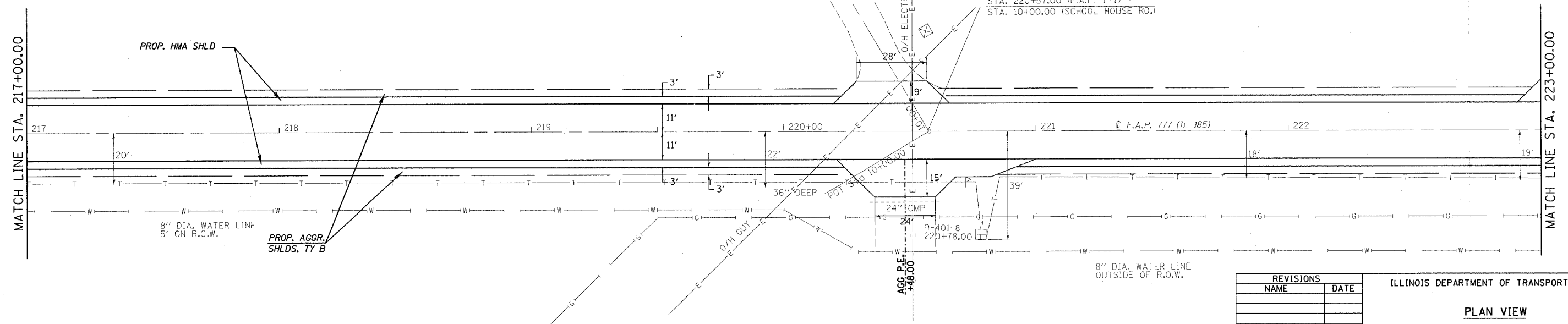
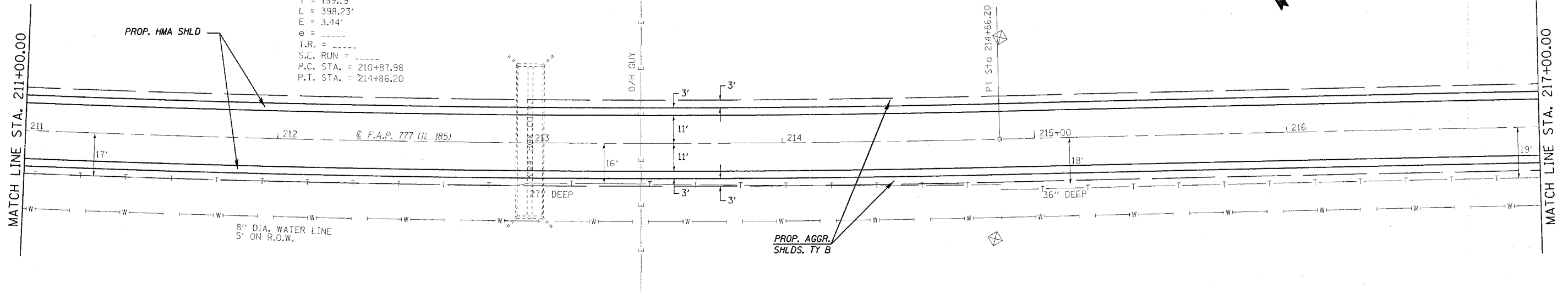


CONTRACT NO. 72693

F.A.P. RTE.	SECTION	COUNTY	TOTAL SHEETS	SHEET NO.
777	405RS-8	MONTGOMERY	75	31
STA. 211+00.00		TO STA. 223+00.00		
FED. ROAD DIST. NO.		ILLINOIS FED. AID PROJECT		

EXIST. CURVE CURVE7  
 PI STA. = 212+87.17  
 $\Delta = 3^\circ 57' 23''$  (LT)  
 $D = 0^\circ 59' 37''$   
 $R = 5,767.19'$   
 $T = 199.19'$   
 $L = 398.23'$   
 $E = 3.44'$   
 $e = \text{-----}$   
 $T.R. = \text{-----}$   
 $S.E. \text{ RUN} = \text{-----}$   
 $P.C. \text{ STA.} = 210+87.98$   
 $P.T. \text{ STA.} = 214+86.20$



PLOT DATE = 12/8/2006  
 FILE NAME = c:\projects\06566802\shiplan1.dgn  
 PLOT SCALE = 26.0000 / IN.  
 USER NAME = cdxjh

REVISIONS	
NAME	DATE

ILLINOIS DEPARTMENT OF TRANSPORTATION  
**PLAN VIEW**  
 F.A.U. Route 777 (IL 185)  
 Section 405RS-4  
 MONTGOMERY COUNTY  
 SCALE: VERT. \_\_\_\_\_  
 HORIZ. \_\_\_\_\_  
 DATE: FEBRUARY 22, 2006  
 DRAWN BY: JWC  
 CHECKED BY: RSC