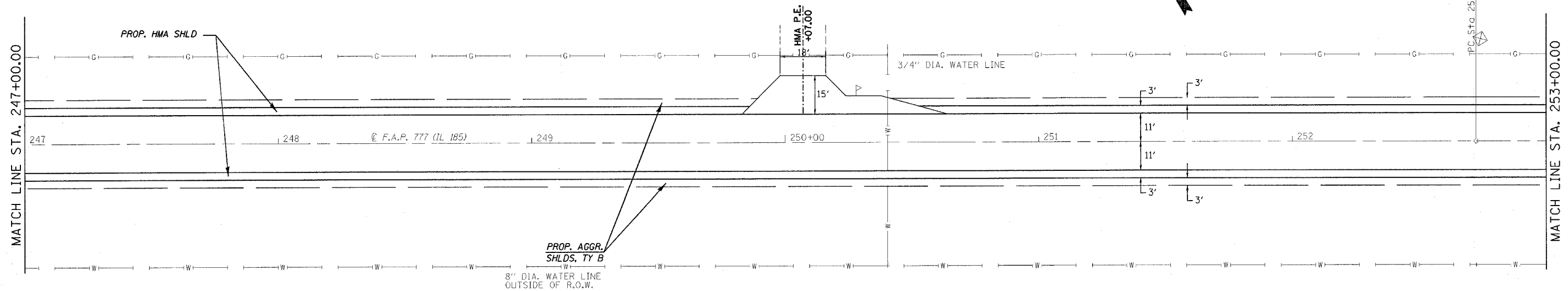
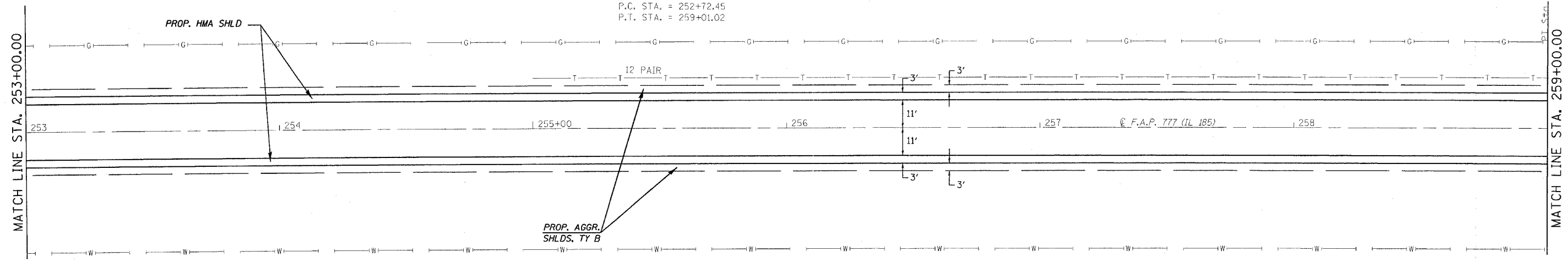


CONTRACT NO. 72693

F.A.P. RTE.	SECTION	COUNTY	TOTAL SHEETS	SHEET NO.
777	405RS-8	MONTGOMERY	75	34
STA. 247+00.00 TO STA. 259+00.00				
FED. ROAD DIST. NO.		ILLINOIS	FED. AID PROJECT	



EXIST. CURVE CURVE9
 PI STA. = 255+86.74
 $\Delta = 0^\circ 45' 02''$ (RT)
 $D = 0^\circ 07' 10''$
 $R = 47,986.38'$
 $T = 314.29'$
 $L = 628.57'$
 $e = 1.03'$
 $e =$
 $T.R. =$
 $S.E. RUN =$
 P.C. STA. = 252+72.45
 P.T. STA. = 259+01.02



REVISIONS	
NAME	DATE

ILLINOIS DEPARTMENT OF TRANSPORTATION
PLAN VIEW
 F.A.U. Route 777 (IL 185)
 Section 405RS-4
 MONTGOMERY COUNTY
 SCALE: VERT. _____
 HORIZ. _____
 DATE: FEBRUARY 22, 2006
 DRAWN BY: JWC
 CHECKED BY: RSC

PLOT DATE = 12/29/2006
 FILE NAME = S:\projects\4056802\shiplan1.dgn
 PLOT SCALE = 24x36 / IN.
 USER NAME = ecj/k