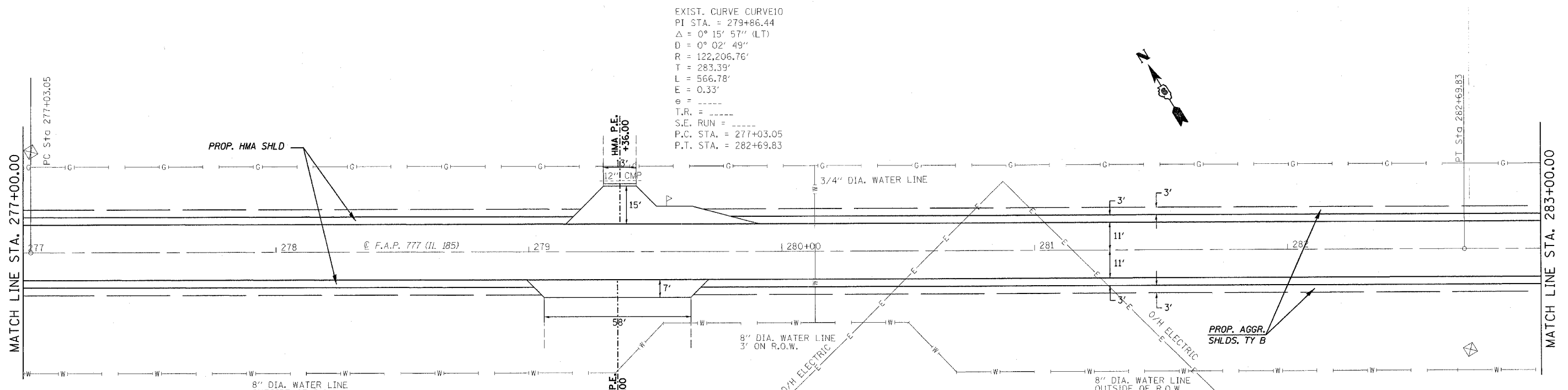
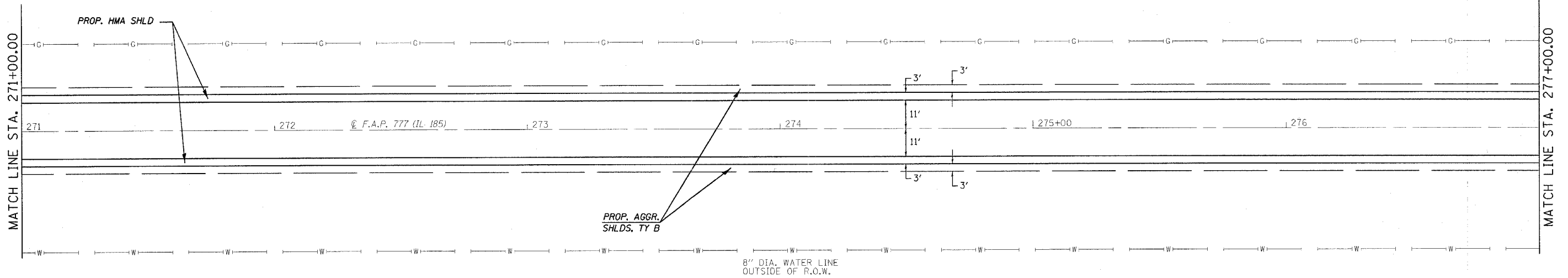


CONTRACT NO. 72693

F.A.P. RTE.	SECTION	COUNTY	TOTAL SHEETS	SHEET NO.
777	405RS-8	MONTGOMERY	75	36
STA. 271+00.00		TO STA. 283+00.00		
FED. ROAD DIST. NO.		ILLINOIS FED. AID PROJECT		



EXIST. CURVE CURVE10  
 PI STA. = 279+86.44  
 $\Delta = 0^\circ 15' 57''$  (LT)  
 $D = 0^\circ 02' 49''$   
 $R = 122,206.76'$   
 $T = 283.39'$   
 $L = 566.78'$   
 $E = 0.33'$   
 $e =$   
 $T.R. =$   
 $S.E. RUN =$   
 $P.C. STA. = 277+03.05$   
 $P.T. STA. = 282+69.83$

REVISIONS	
NAME	DATE

ILLINOIS DEPARTMENT OF TRANSPORTATION  
**PLAN VIEW**  
 F.A.U. Route 777 (IL 185)  
 Section 405RS-4  
 MONTGOMERY COUNTY  
 SCALE: VERT. \_\_\_\_\_  
 HORIZ. \_\_\_\_\_  
 DATE: FEBRUARY 22, 2006  
 DRAWN BY: JWC  
 CHECKED BY: RSC

PLOT DATE = 12/8/2006  
 FILE NAME = c:\projects\6656802\shiplan1.dgn  
 PLOT SCALE = 20.0000 / IN.  
 USER NAME = coxjm