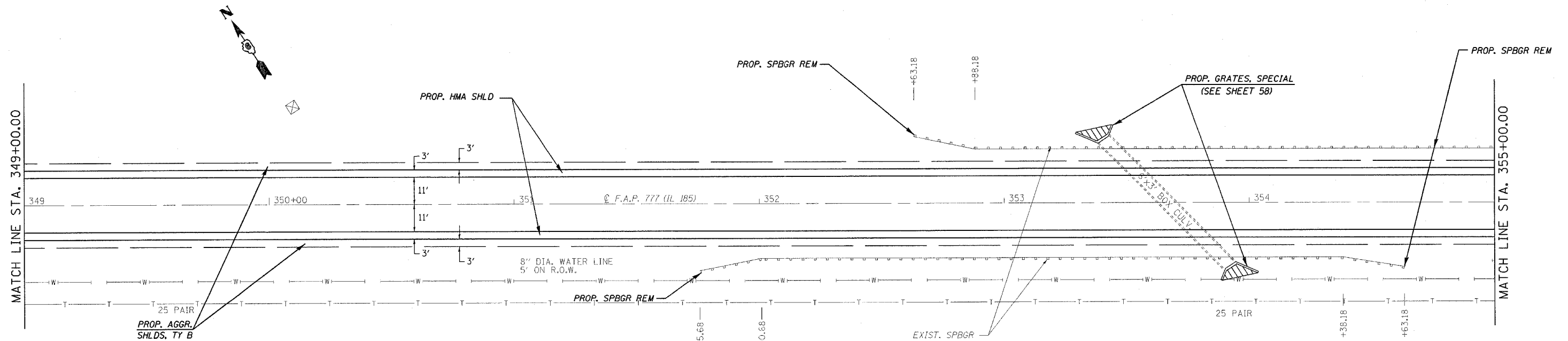
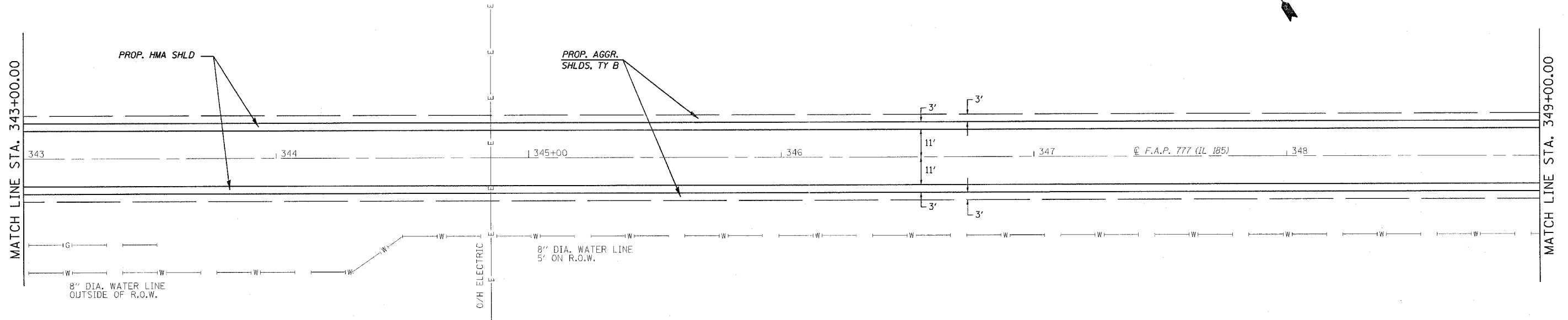


CONTRACT NO. 72693

F.A.P. RTE.	SECTION	COUNTY	TOTAL SHEETS	SHEET NO.
777	405RS-8	MONTGOMERY	75	42
STA. 343+00.00 TO STA. 355+00.00				
FED. ROAD DIST. NO.			ILLINOIS FED. AID PROJECT	



PLOT DATE = 12/8/2006  
 FILE NAME = c:\projects\46566802\shiplan1.dgn  
 PLOT SCALE = 20.0000 / IN.  
 USER NAME = coj

REVISIONS	
NAME	DATE

ILLINOIS DEPARTMENT OF TRANSPORTATION

**PLAN VIEW**

F.A.U. Route 777 (IL 185)  
 Section 405RS-4  
 MONTGOMERY COUNTY

SCALE: VERT. \_\_\_\_\_  
 HORIZ. \_\_\_\_\_  
 DATE: FEBRUARY 22, 2006

DRAWN BY: JWC  
 CHECKED BY: RSC

PROP. SPBGR TYPE A FR.  
 STA. 352+25.68 TO 354+13.18 (RT)