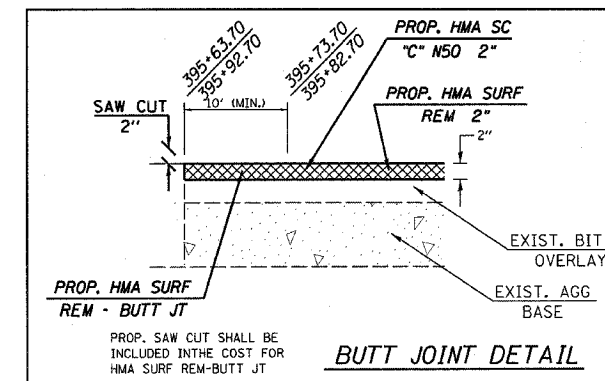
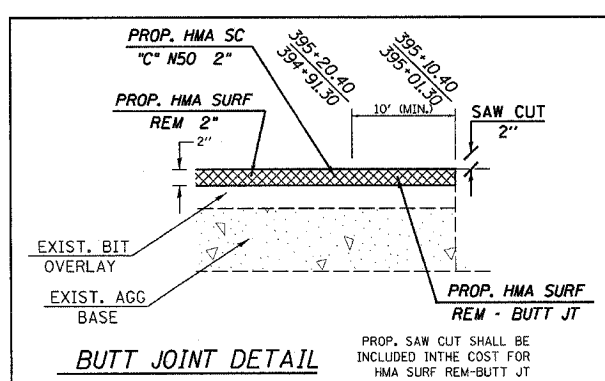
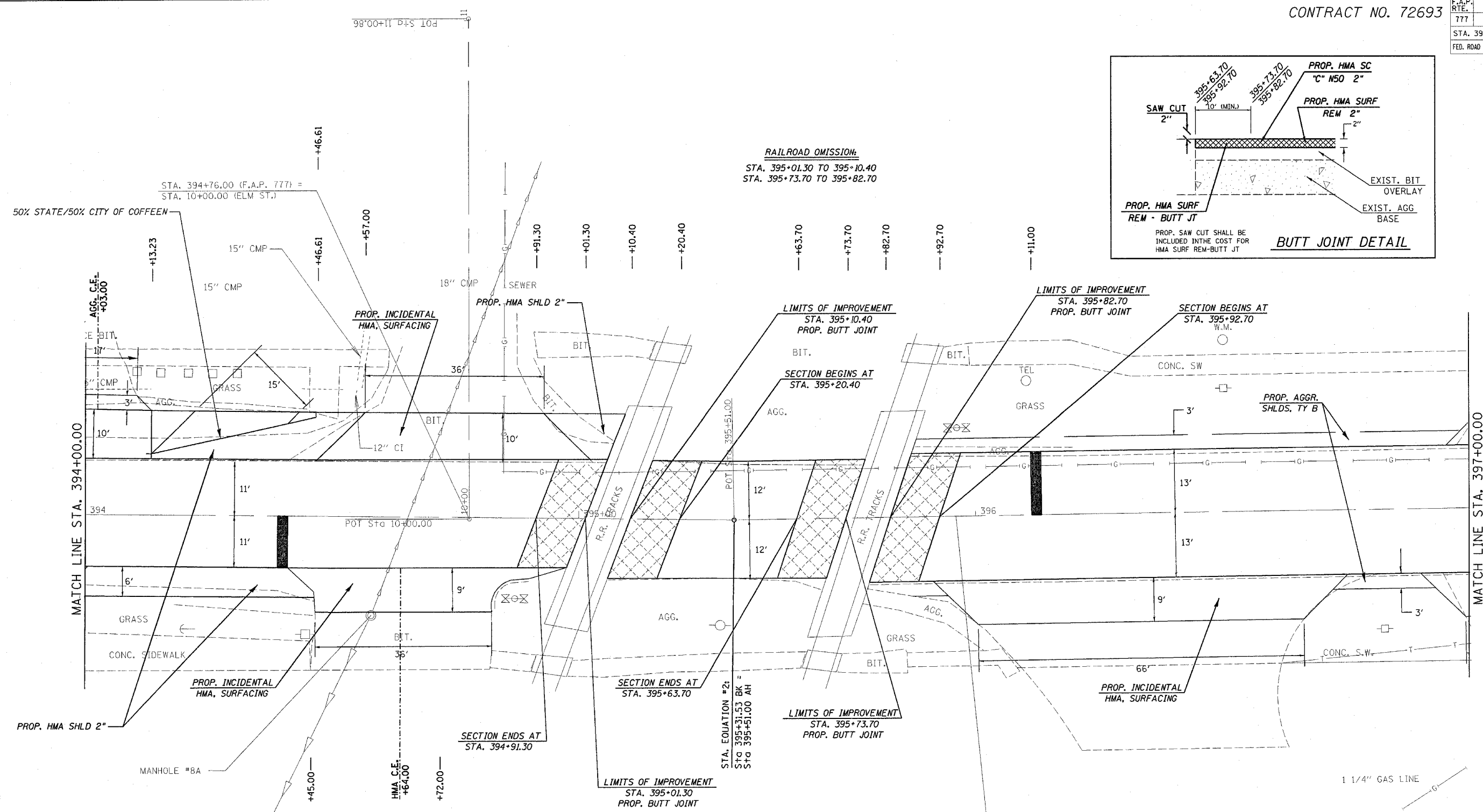


CONTRACT NO. 72693

F.A.P. RTE.	SECTION	COUNTY	TOTAL SHEETS	SHEET NO.
777	405RS-8	MONTGOMERY	75	49
STA. 394+00.00 TO STA. 397+00.00				
FED. ROAD DIST. NO.			ILLINOIS FED. AID PROJECT	



RAILROAD OMISSION:
 STA. 395+01.30 TO 395+10.40
 STA. 395+73.70 TO 395+82.70



REVISIONS	
NAME	DATE

ILLINOIS DEPARTMENT OF TRANSPORTATION

PLAN VIEW
 F.A.U. Route 777 (IL 185)
 Section 405RS-4
 MONTGOMERY COUNTY

SCALE: VERT. _____
 HORIZ. _____

DATE: MARCH 3, 2006

DRAWN BY: JWC
 CHECKED BY: RSC

PLOT DATE = 12/15/2006
 FILE NAME = c:\projects\405RS-8\shmiscdetails.dgn
 PLOT SCALE = 1/8"=1'-0"
 USER NAME = covj