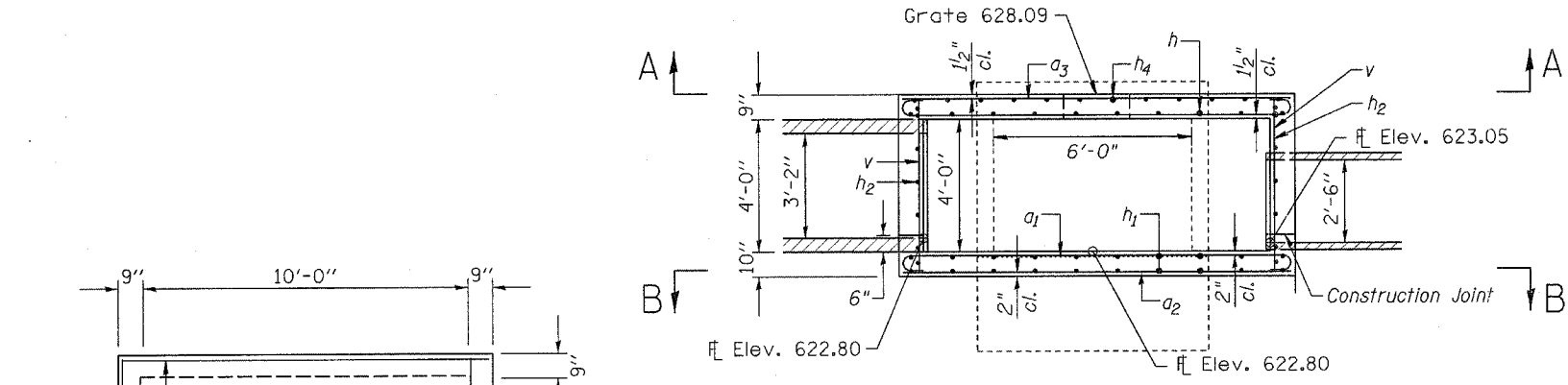


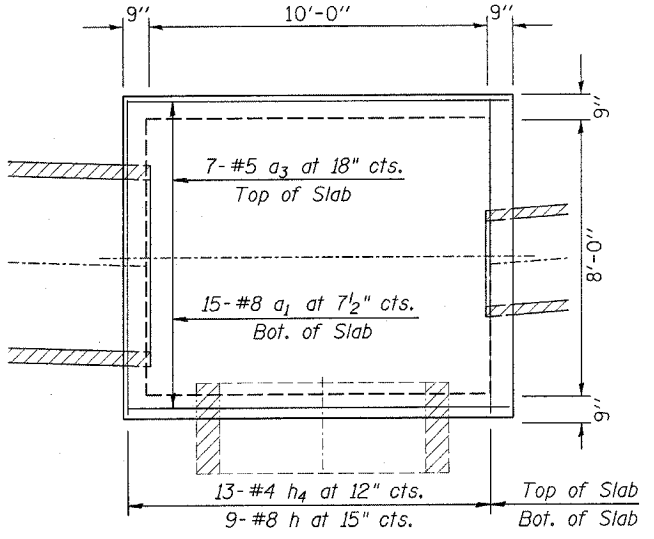
F.A.P. RTE.	SECTION	COUNTY	TOTAL SHEETS	SHEET NO.
777	405RS-4	MONTGOMERY	75	52
STA.		TO STA.		
FED. ROAD DIST. NO.		ILLINOIS FED. AID PROJECT		

BILL OF MATERIAL

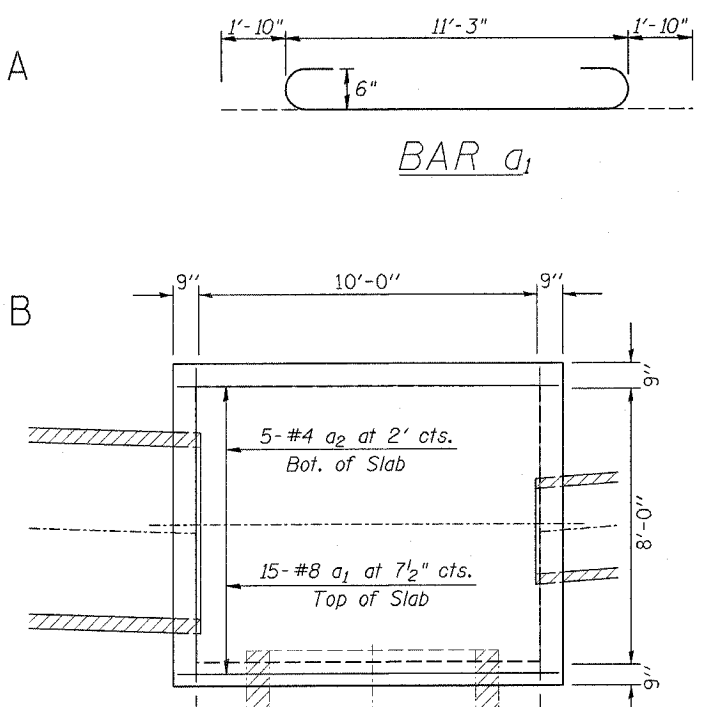
Bar	No.	Size	Length	Shape
a ₁	30	#8	14'-11"	
a ₂	5	#4	11'-3"	—
a ₃	7	#5	11'-3"	—
a ₄	6	#4	9'-9"	—
a ₅	8	#4	4'-0"	—
h	9	#8	9'-3"	—
h ₁	18	#5	9'-3"	—
h ₂	14	#6	11'-3"	—
h ₃	14	#4	9'-3"	—
h ₄	13	#4	9'-3"	—
v	50	#4	5'-4"	—
Expansion Bolts 3/4" x 15"			Each	8
Concrete Box Culverts			Cu. Yd.	8.8
Reinforcement Bars			Pound	2,282



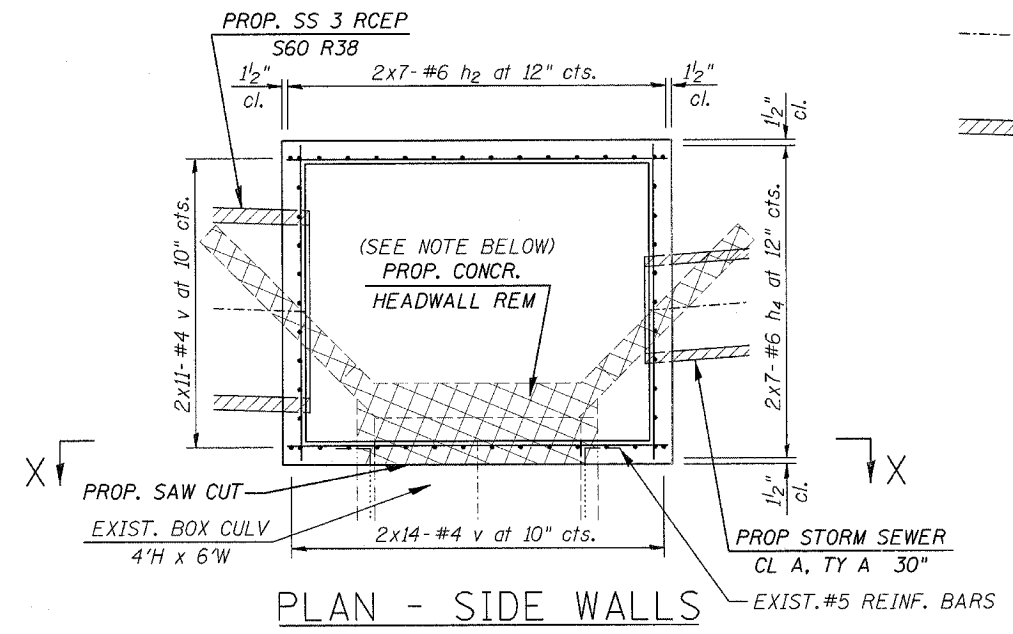
ELEVATION



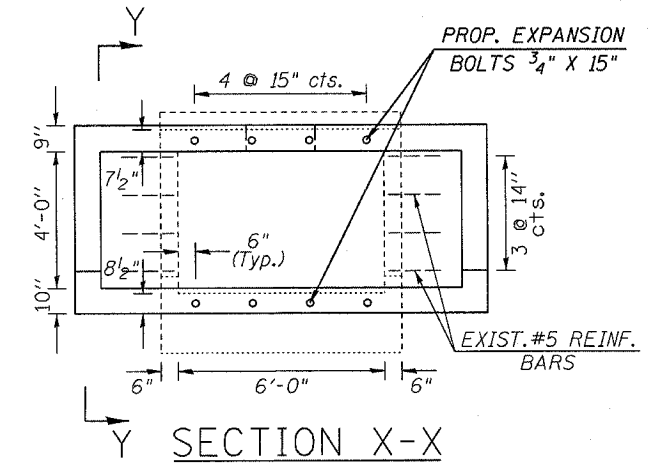
**SECTION A-A
(TOP SLAB)**



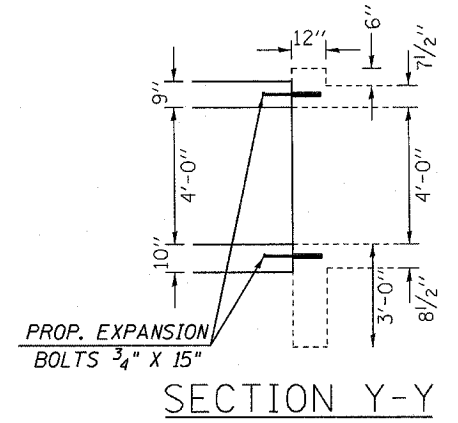
**SECTION B-B
(BOTTOM SLAB)**



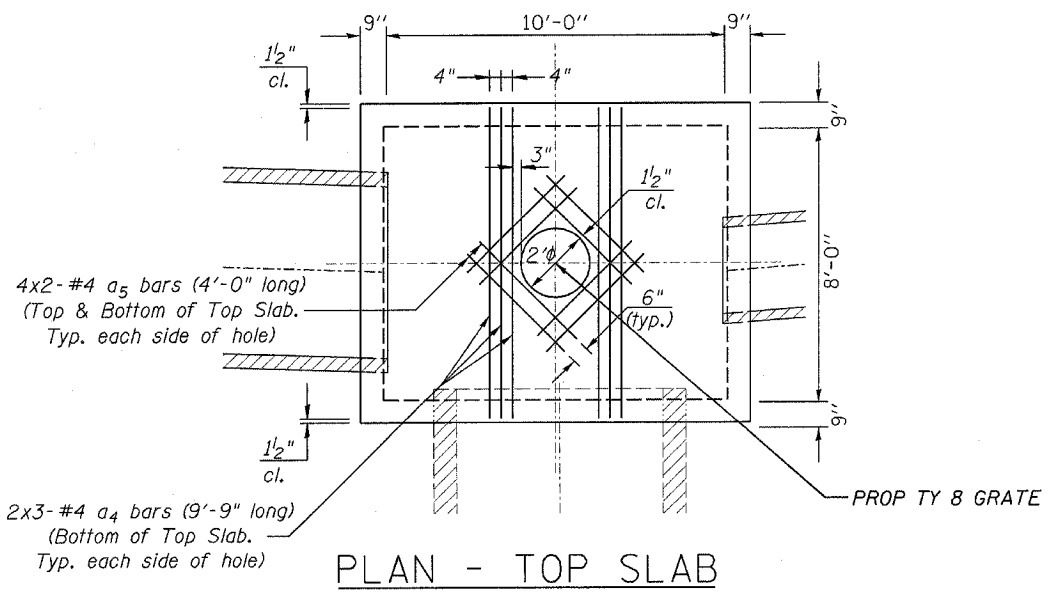
PLAN - SIDE WALLS



SECTION X-X



SECTION Y-Y



PLAN - TOP SLAB

NOTES:

PROPOSED SAW CUT SHOWN ABOVE AND THE REMOVAL AND DISPOSAL OF THE EXISTING SPECIAL METAL GRATE ATTACHED TO THE EXISTING WINGWALLS THAT ARE ALSO TO BE REMOVED SHALL BE DONE WITH THE APPROVAL OF THE ENGINEER AND BE INCLUDED IN THE COST FOR CONCRETE HEADWALL REMOVAL.

EXPANSION BOLTS SHALL CONSIST OF SELF-DRILLING EXPANSION SHIELDS AND 3/4" φ HOOKED BOLTS. HOOKED BOLTS SHALL EXTEND A MINIMUM OF 9" INTO THE NEW CONCRETE. MINIMUM CERTIFIED PROOF LOAD - 4,080 LBS.

A MINIMUM OF 2' OF EXISTING HORIZONTAL REINFORCEMENT LOCATED IN SIDEWALLS AND AREA BEYOND THE PROPOSED SAW CUT OF EXISTING BOX CULVERT SHALL BE CLEANED AND REUSED. 4-#5 BARS (8 TOTAL) FROM EACH SIDEWALL SHALL BE BENT 90° WHILE MAINTAINING 1/2" CLEARANCE AND TIED TO THE PROPOSED REINFORCEMENT USED IN THE SIDEWALLS OF THE 8' X 10' DROP BOX. THIS WORK SHALL BE DONE WITH THE APPROVAL OF THE ENGINEER AND ALSO BE INCLUDED IN THE COST FOR CONCRETE HEADWALL REMOVAL.

REVISIONS	
NAME	DATE

ILLINOIS DEPARTMENT OF TRANSPORTATION
DRAINAGE DETAILS
 F.A.P. Route 777 (IL 185)
 Section 405RS-4
 MONTGOMERY COUNTY
 10'X8' DROP BOX
 (STA. 1075+13.08, 39.45' LT)
 SCALE: VERT. HORIZ.
 DATE OCTOBER 2, 2006
 DRAWN BY: JWC
 CHECKED BY: RSC

PLOT DATE = 12/11/2006
 FILE NAME = c:\projects\656802\details.dgn
 PLOT SCALE = 28.0000 / IN
 USER NAME = cswj