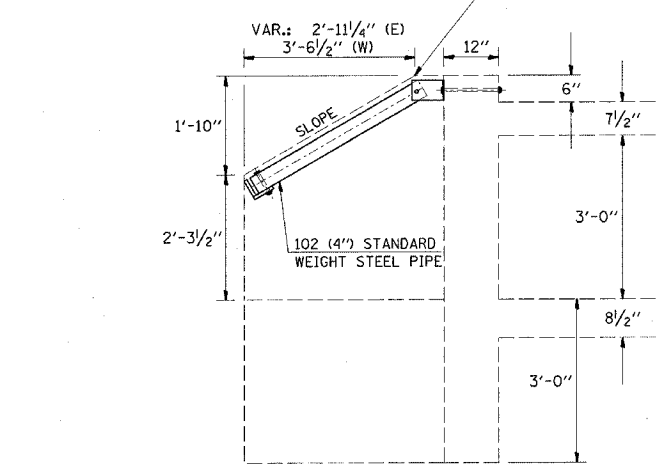
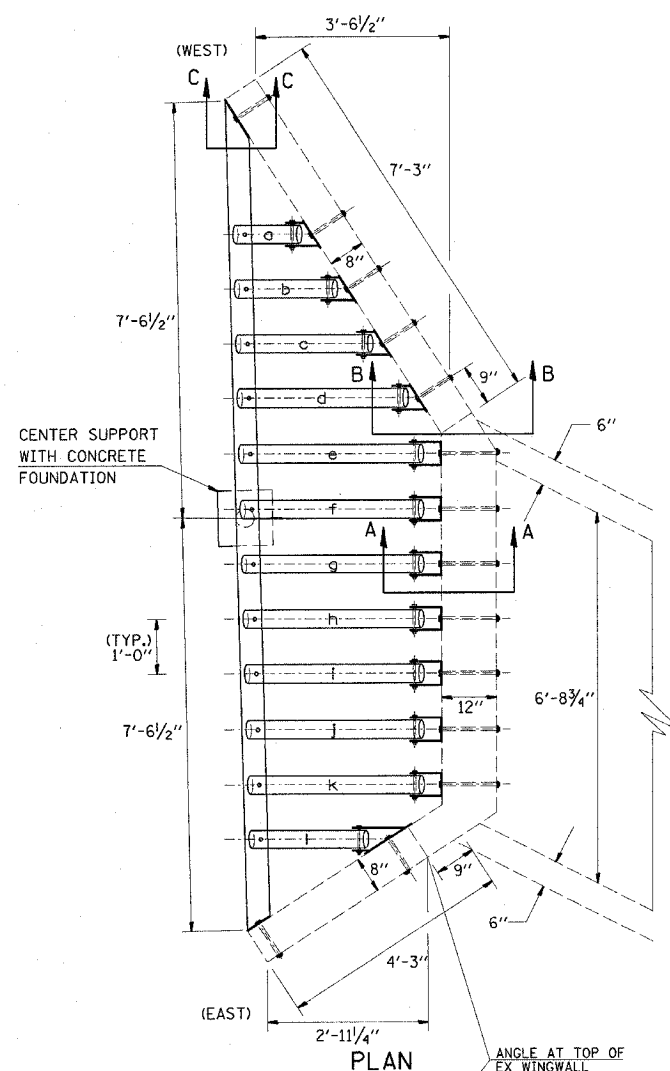


CONTRACT NO. 72693

F.A. RTE. 777	SECTION 405RS-8	COUNTY MONTGOMERY	TOTAL SHEETS 75	SHEET NO. 57
STA. TO STA.		ILLINOIS FED. AID PROJECT		

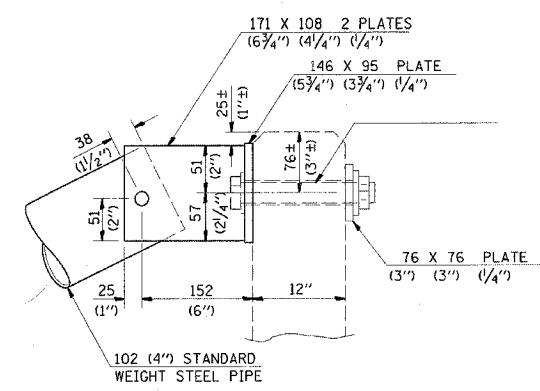


(4") STANDARD WEIGHT STEEL PIPE	a	b	c	d	e	f	g
APPROX. PIPE LENGTH	1.20'	1.85'	2.49'	3.14'	3.40'	3.37'	3.35'

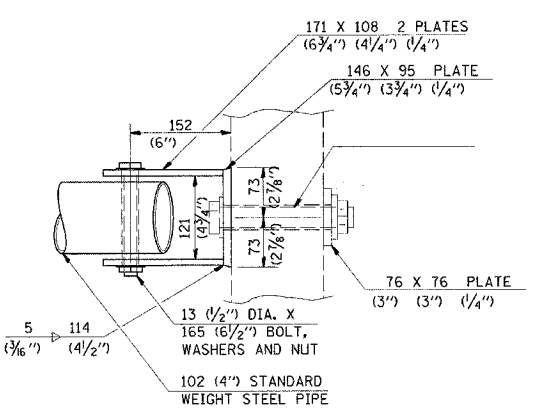
  

(4") STANDARD WEIGHT STEEL PIPE	h	i	j	k	l	CENTER SUPPORT STEEL PIPE
APPROX. PIPE LENGTH	3.32'	3.30'	3.27'	3.24'	2.16'	5.0'
TOTAL LENGTH OF PIPE / WINGWALL END						39.09'

STA. 145+08.90 LT & RT



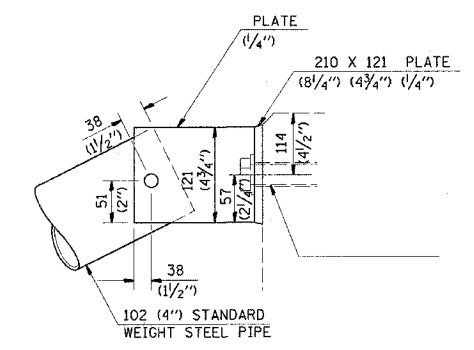
SECTION A-A  
ELEVATION AT HEADWALL



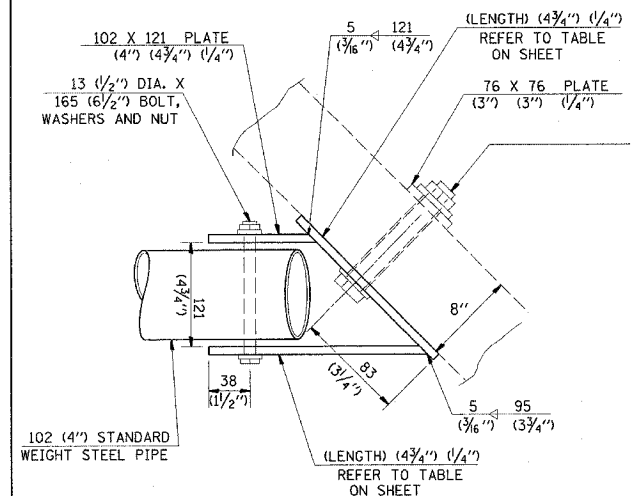
PLAN AT HEADWALL

GENERAL NOTES

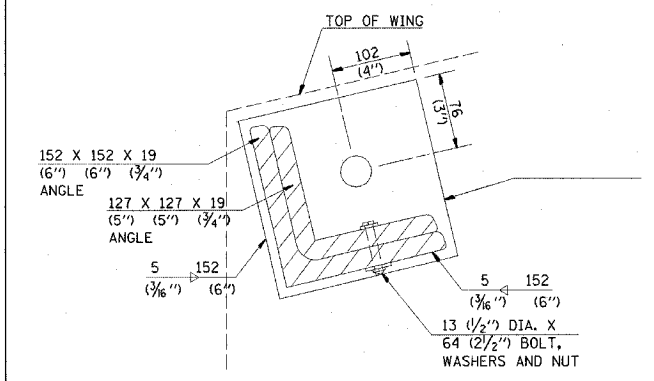
- BOLTS AND NUTS SHALL CONFORM TO A.S.T.M. A 307. ALL BOLTS SHALL HAVE WASHERS AT EACH END. HOLES SHALL BE 2 mm (1/8") OVERSIZED UNLESS OTHERWISE NOTED EXCEPT IN CONCRETE WHICH SHALL BE 3 mm (1/8") OVERSIZED.
- ANGLES AND STEEL PLATES SHALL CONFORM TO A.A.S.H.T.O. M 183. STEEL PIPES SHALL CONFORM TO A.S.T.M. A 53, GRADE B OR A.S.T.M. A 501.
- STEEL PIPES, ANGLES AND PLATES SHALL BE HOT DIPPED GALVANIZED CONFORMING TO THE REQUIREMENTS OF A.A.S.H.T.O. M 111.
- BOLTS, NUTS AND WASHERS SHALL BE HOT DIPPED GALVANIZED CONFORMING TO THE REQUIREMENTS OF A.A.S.H.T.O. M 232.
- THE APPROXIMATE WEIGHT OF THE STEEL IS 4,256 POUNDS. THIS TOTAL INCLUDES PLATES, ANGLES AND PIPES. BOLTS, NUTS AND WASHERS ARE NOT INCLUDED. THE APPROXIMATE VOLUME OF CONCRETE IS 0.11 CUBIC YARDS.
- ALL DIMENSIONS ARE TO BE VERIFIED IN THE FIELD. CUTTING OF THE STANDARD WEIGHT PIPE AND ANGLES TO THE EXACT LENGTH AND DRILLING HOLES IS TO BE DONE IN THE FIELD.
- THIS WORK WILL BE PAID FOR AT THE CONTRACT UNIT PRICE PER EACH FOR "GRATING, SPECIAL" WHICH PRICE SHALL INCLUDE ALL MATERIAL AND LABOR TO COMPLETE THE INSTALLATION AS SHOWN.



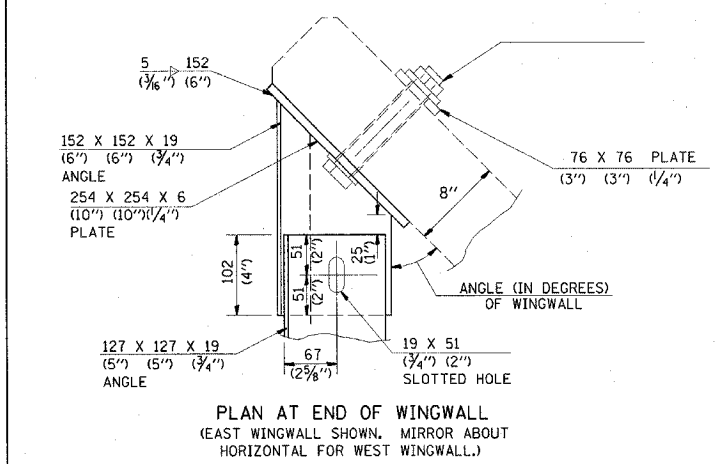
SECTION B-B  
ELEVATION AT WINGWALL



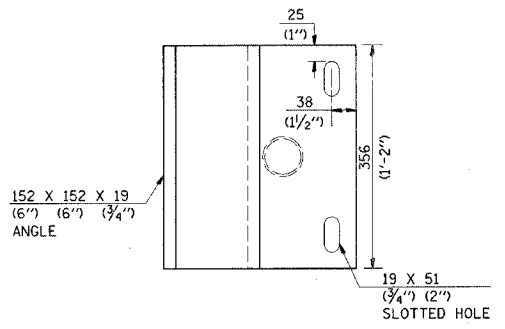
PLAN AT WINGWALL  
(EAST WINGWALL SHOWN, MIRROR ABOUT HORIZONTAL FOR WEST WINGWALL.)



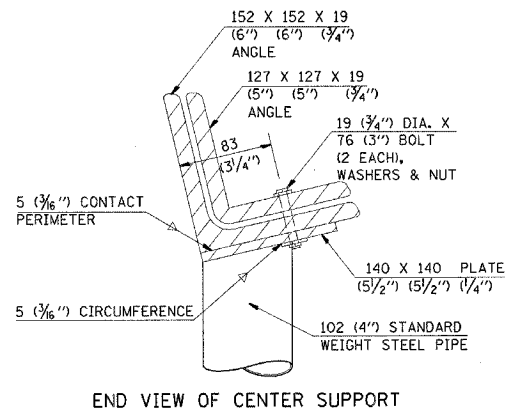
SECTION C-C  
ELEVATION AT END OF WINGWALL



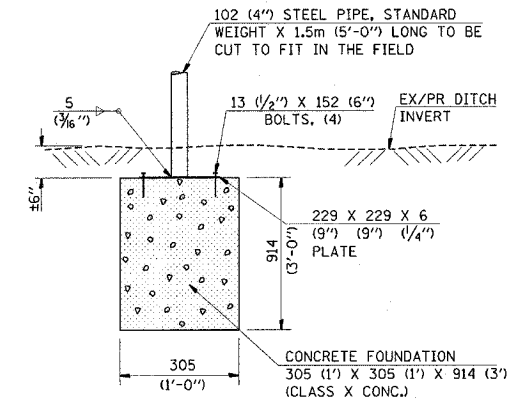
PLAN AT END OF WINGWALL  
(EAST WINGWALL SHOWN, MIRROR ABOUT HORIZONTAL FOR WEST WINGWALL.)



PLAN VIEW OF CENTER SUPPORT ANGLE

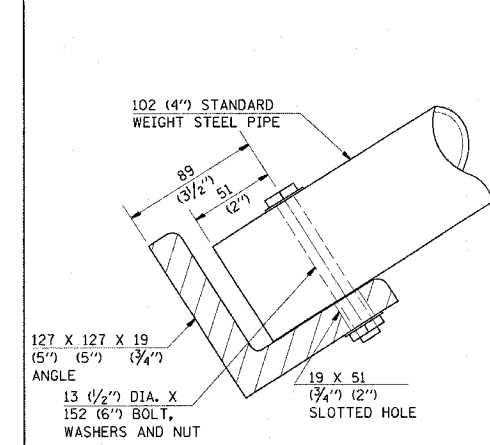


END VIEW OF CENTER SUPPORT



CENTER SUPPORT FOUNDATION

NUMBER OF CENTER SUPPORTS REQUIRED		
W.W. SPAN (TIP-TIP)	NUMBER REQUIRED	SPACING
0' TO 12'-6"	0	-
12'-6" TO 18'-0"	1	CENTER OF W.W. SPAN
OVER 18'-0"	1	(1 CENTER SUPPORT EVERY ADDITIONAL 6'-0" OF W.W. SPAN)



SECTION D-D  
END VIEW OF SUPPORT ANGLE

REVISIONS	
NAME	DATE

ILLINOIS DEPARTMENT OF TRANSPORTATION  
**GRATE, SPECIAL DETAIL**  
 F.A.U. Route 777 (IL 185)  
 Section 405RS-4  
 MONTGOMERY COUNTY  
 SCALE: VERT. HORIZ.  
 DATE: AUGUST 10, 2006  
 DRAWN BY: JWC  
 CHECKED BY: RSC

PLOT DATE = 12/18/2006  
 FILE NAME = c:\p\projects\4856802\_shtmisc\detail.dgn  
 PLOT SCALE = 18.0000 / IN.  
 USER NAME = coo\j