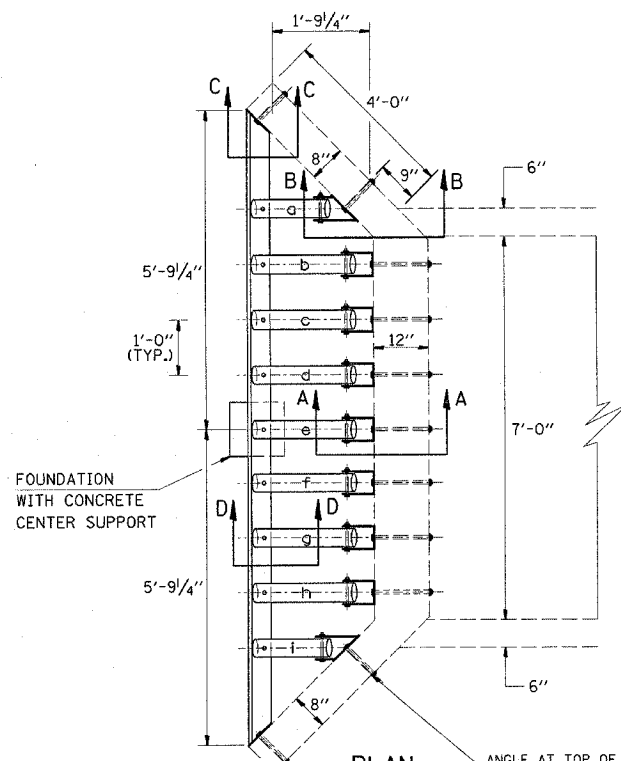
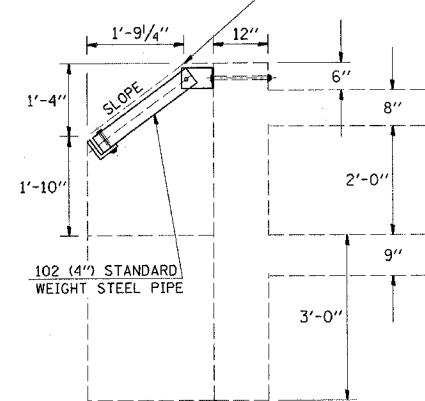


F.A.P. RTE.	SECTION	COUNTY	TOTAL SHEETS	SHEET NO.
777	405RS-8	MONTGOMERY	75	58
STA.		TO STA.		
FED. ROAD DIST. NO.		ILLINOIS FED. AID PROJECT		



PLAN ANGLE AT TOP OF EX WINGWALL

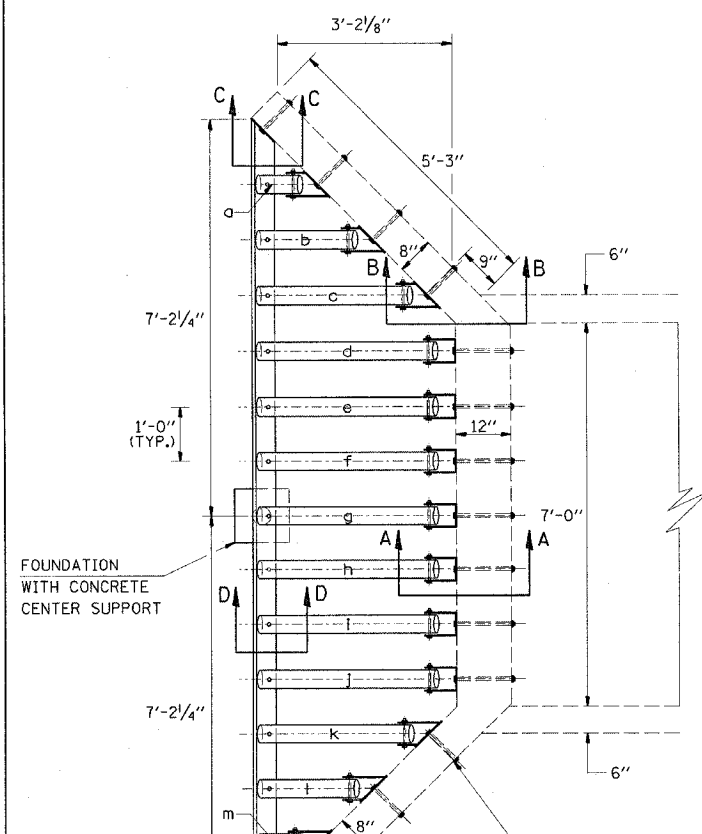


ELEVATION

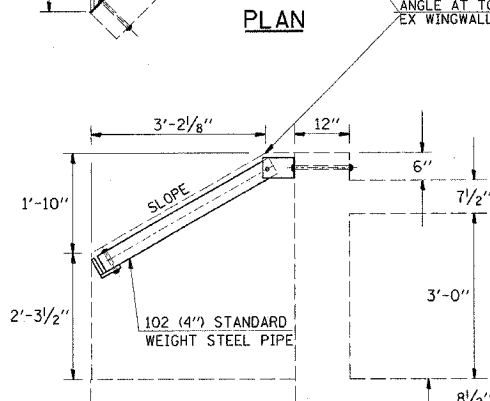
(4") STANDARD WEIGHT STEEL PIPE	a	b	c	d	e
APPROX. PIPE LENGTH	1.70'	2.27'	2.27'	2.27'	2.27'

(4") STANDARD WEIGHT STEEL PIPE	f	g	h	i	CENTER SUPPORT
APPROX. PIPE LENGTH	2.27'	2.27'	2.27'	1.70'	5.0'
TOTAL LENGTH OF PIPE / WINGWALL END	24.29'				

STA. 192+00.00 LT & RT



PLAN ANGLE AT TOP OF EX WINGWALL



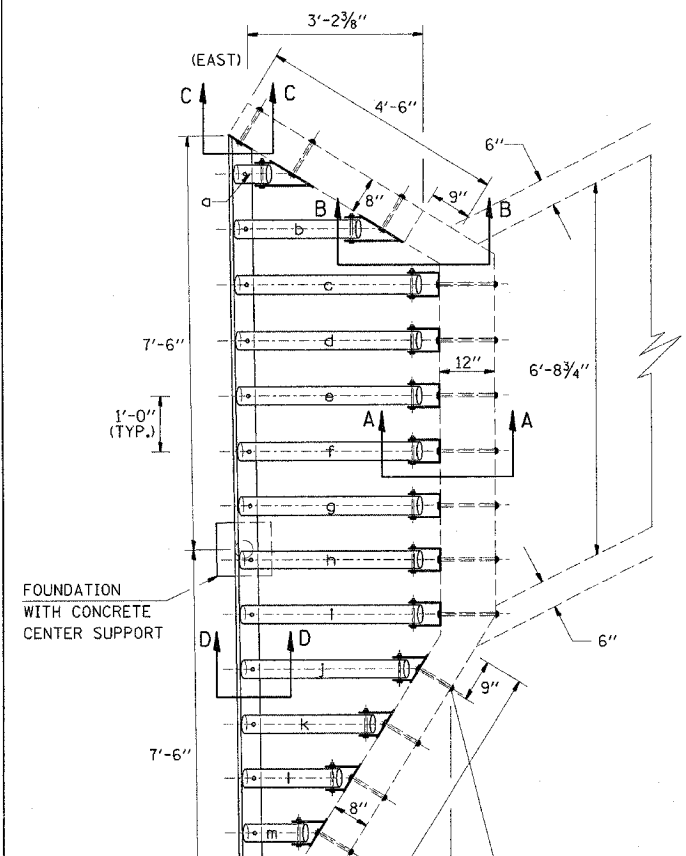
ELEVATION

(4") STANDARD WEIGHT STEEL PIPE	a	b	c	d	e
APPROX. PIPE LENGTH	0.87'	2.03'	3.18'	3.71'	3.71'

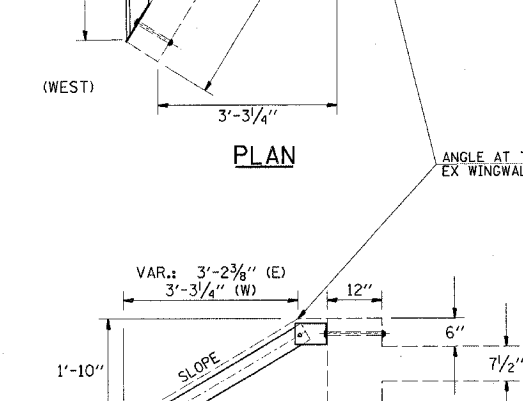
(4") STANDARD WEIGHT STEEL PIPE	f	g	h	i	j
APPROX. PIPE LENGTH	3.71'	3.71'	3.71'	3.71'	3.71'

(4") STANDARD WEIGHT STEEL PIPE	k	l	m	CENTER SUPPORT
APPROX. PIPE LENGTH	3.18'	2.03'	0.87'	5.0'
TOTAL LENGTH OF PIPE / WINGWALL END	43.13			

STA. 268+53.50 LT & RT



PLAN ANGLE AT TOP OF EX WINGWALL



ELEVATION

(4") STANDARD WEIGHT STEEL PIPE	a	b	c	d	e
APPROX. PIPE LENGTH	0.60'	2.22'	3.30'	3.29'	3.28'

(4") STANDARD WEIGHT STEEL PIPE	f	g	h	i	j
APPROX. PIPE LENGTH	3.27'	3.26'	3.25'	3.23'	2.97'

(4") STANDARD WEIGHT STEEL PIPE	k	l	m	CENTER SUPPORT
APPROX. PIPE LENGTH	2.34'	1.72'	1.09'	5.0'
TOTAL LENGTH OF PIPE / WINGWALL END	38.82			

STA. 358+28.00 LT & RT

REVISIONS	
NAME	DATE

ILLINOIS DEPARTMENT OF TRANSPORTATION
GRATE, SPECIAL DETAIL
 F.A.U. Route 777 (IL 185)
 Section 405RS-4
 MONTGOMERY COUNTY
 SCALE: VERT. HORIZ.
 DATE: AUGUST 10, 2006
 DRAWN BY: JWC
 CHECKED BY: RSC

PLOT DATE = 12/29/2006
 PLOT SCALE = 1/8" = 1'-0"
 USER NAME = eoc\j