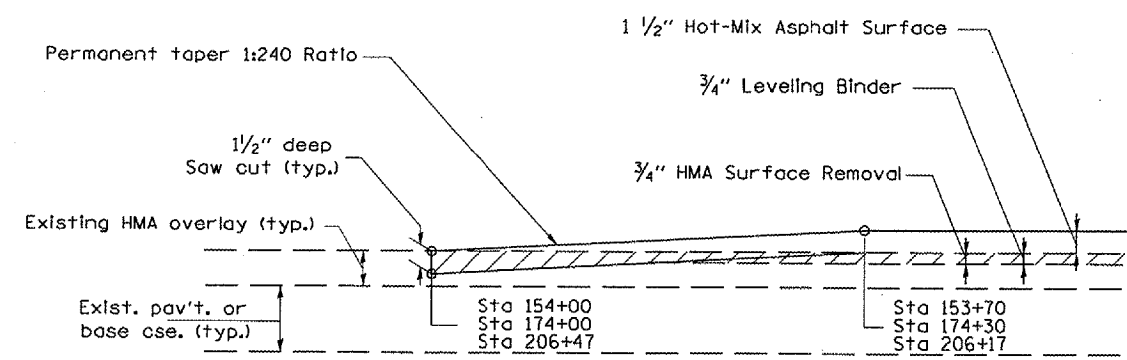
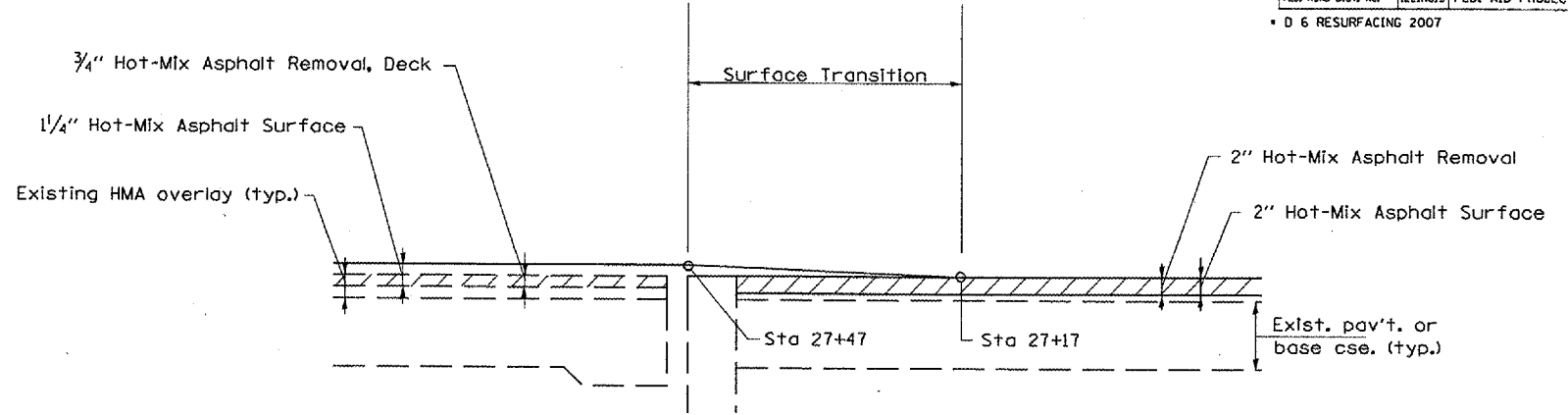


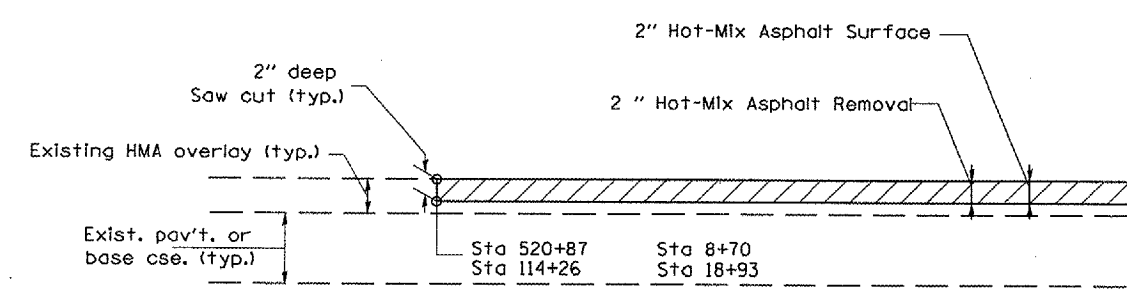
CONTRACT NO. 72826				
F.A.P. RTE.	SECTION	COUNTY	TOTAL SHEETS	SHEET NO.
75		CHRISTIAN	97	83
STA.		TO STA.		
FED. ROAD DIST. NO.		ILLINOIS FED. AID PROJECT		
D 6 RESURFACING 2007				



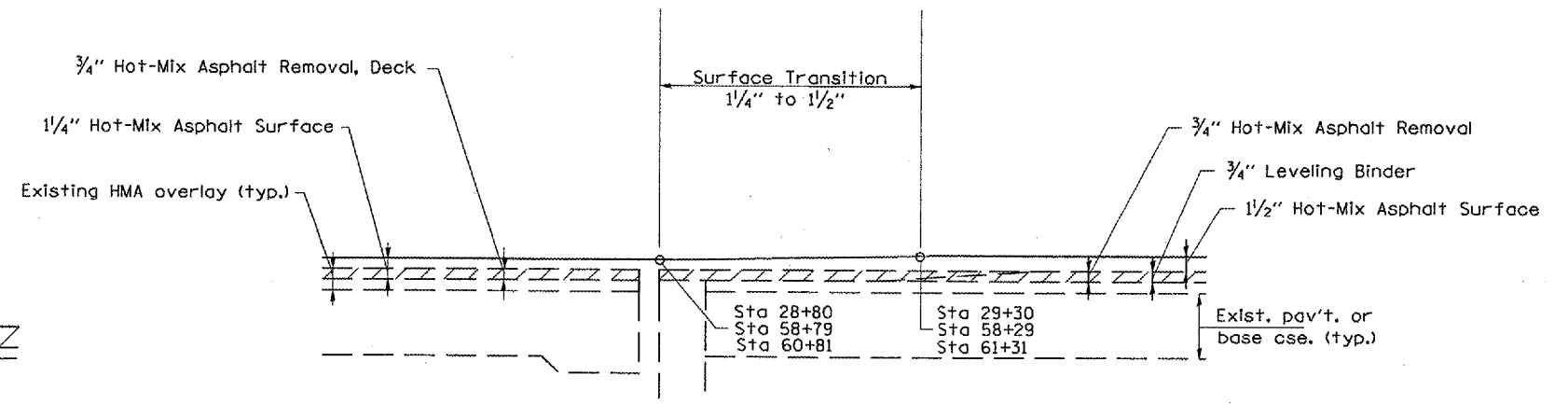
BUTT JOINT DETAIL
IL 29



RAMPING DETAIL
@ STRUCTURE



RAMPING DETAIL
IL 29



RAMPING DETAIL
@ STRUCTURES

- NOTES:
1. THE SAW CUTS FOR BUTT JOINTS SHALL BE INCLUDED IN THE COST OF HOT-MIX ASPHALT SURFACE REMOVAL- BUTT JOINT.
 2. THE SAW CUTS FOR THE RAMPING DETAIL SHALL BE INCLUDED IN THE COST OF HOT-MIX ASPHALT SURFACE REMOVAL 2".
 3. CONCERNING STRUCTURE DETAILS: PAVE DIRECTLY OVER EXPANSION JOINT AREAS. THIS ASPHALT WILL BE REMOVED DURING POLYMER CONCRETE REMOVAL OPERATIONS AND INCLUDED IN THE COST OF POLYMER CONCRETE.

REVISIONS	
NAME	DATE

ILLINOIS DEPARTMENT OF TRANSPORTATION
 BUTT JOINT/ RAMPING DETAIL
 FAP 75(IL 29)
 SECTION D 6 RESURFACING 2007
 CHRISTIAN COUNTY
 SCALE: VERT. _____
 HORIZ. _____
 DATE _____ DRAWN BY _____
 CHECKED BY _____

Rev. Sheet 2-22-07

PLOT DATE: 2/21/2007
 FILE NAME: c:\projects\72826\72826.dgn
 PLOT SCALE: 1/8" = 1'-0"
 PLOT NAME: 72826.dwg