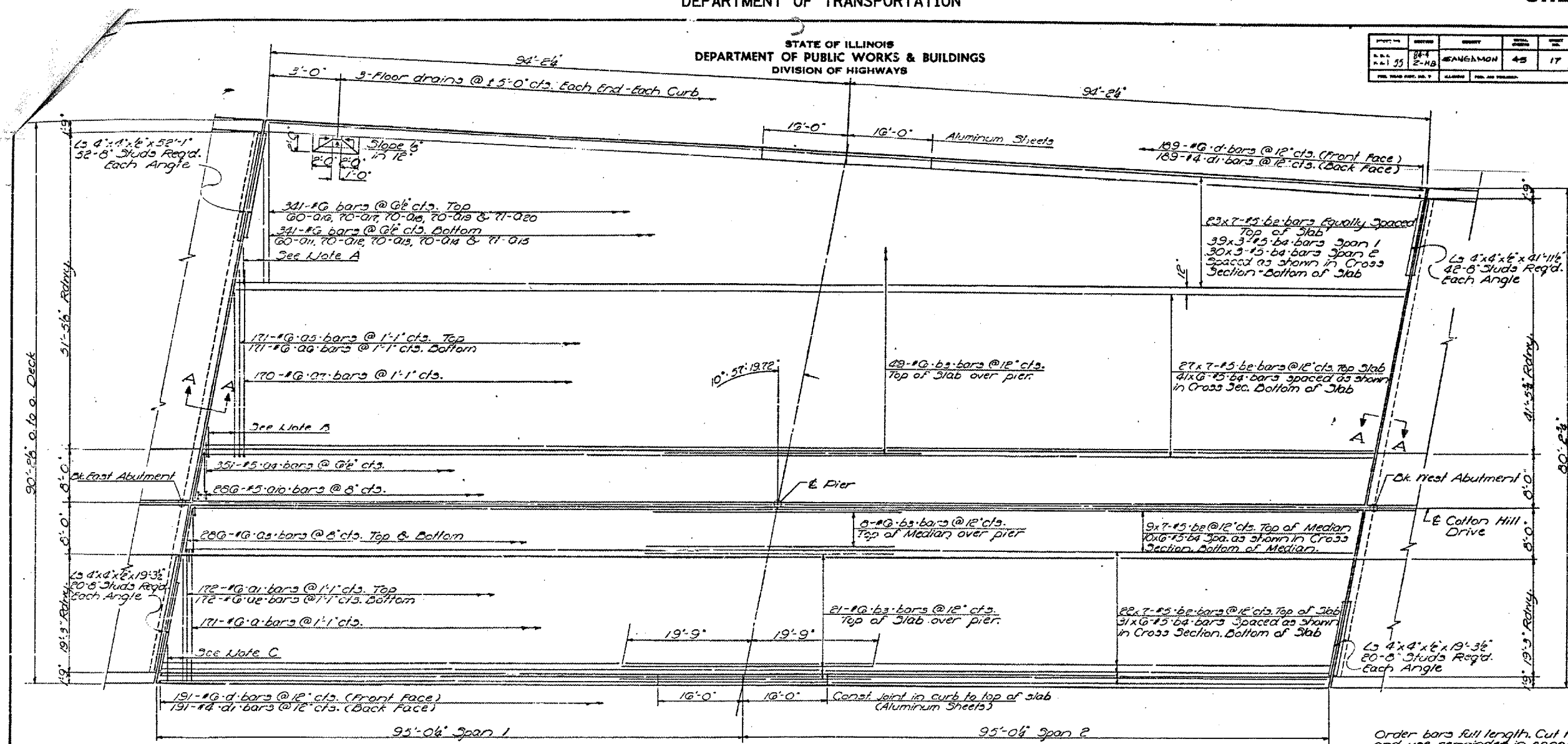


STATE OF ILLINOIS
DEPARTMENT OF TRANSPORTATION

SHEET 60F 9

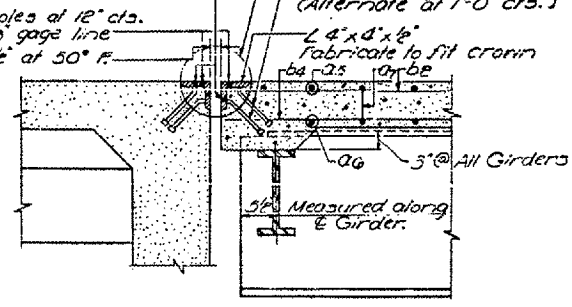
STATE OF ILLINOIS
DEPARTMENT OF PUBLIC WORKS & BUILDINGS
DIVISION OF HIGHWAYS

PROJECT NO.	DATE	DESIGNER	SCALE	SHEET NO.
11-11-55	2-14-56	WANGENBACH	45	17
SHEETS				

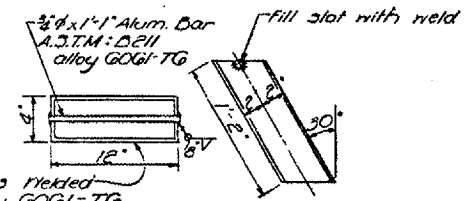


95.02
45.02
19.02
69.02
25.02

PLAN
See Detail A Sheet #0
3/8" x 8" CR1020 STL granular or solid flux filled headed studs, automatically end welded. (Alternate at 1'-0" cfs.)
L 4" x 4" x 1/2" Fabricate to fit crown
3/8" Measured along E Girder.
5" @ All Girders



SECTION A-A



FLOOR DRAIN
Cost of Aluminum Drains shall be incidental to Class X Concrete.

Order bars full length. Cut to fit skew and use remainder in opposite end.
Note A: 10-#10-01 bars @ 6" cfs. Top
10-#10-01 bars @ 6" cfs. Bottom
Note B: 10-#10-05 bars @ 6" cfs. Top
10-#10-05 bars @ 6" cfs. Bottom
Note C: 8-#10-01 bars @ 6" cfs. Top
8-#10-05 bars @ 6" cfs. Bottom

Bars indicated thus 20x3-#5 etc. indicates 20 lines of bars with 3 length per line.

DESIGNED	J. H. Pence	EXAMINED	JAN 15 1956
CHECKED	I. Kasper	PASSED	[Signature]
DRAWN	JACOBS JP	APPROVED	[Signature]
CHECKED	I. K.		

CONTRACT 72A70
SN 084-0116
EXISTING BRIDGE PLANS
FOR INFORMATION ONLY
(NOT TO SCALE)